

GEORGIA HIGH SCHOOL ASSOCIATION

VOL. 116

NUMBER 1

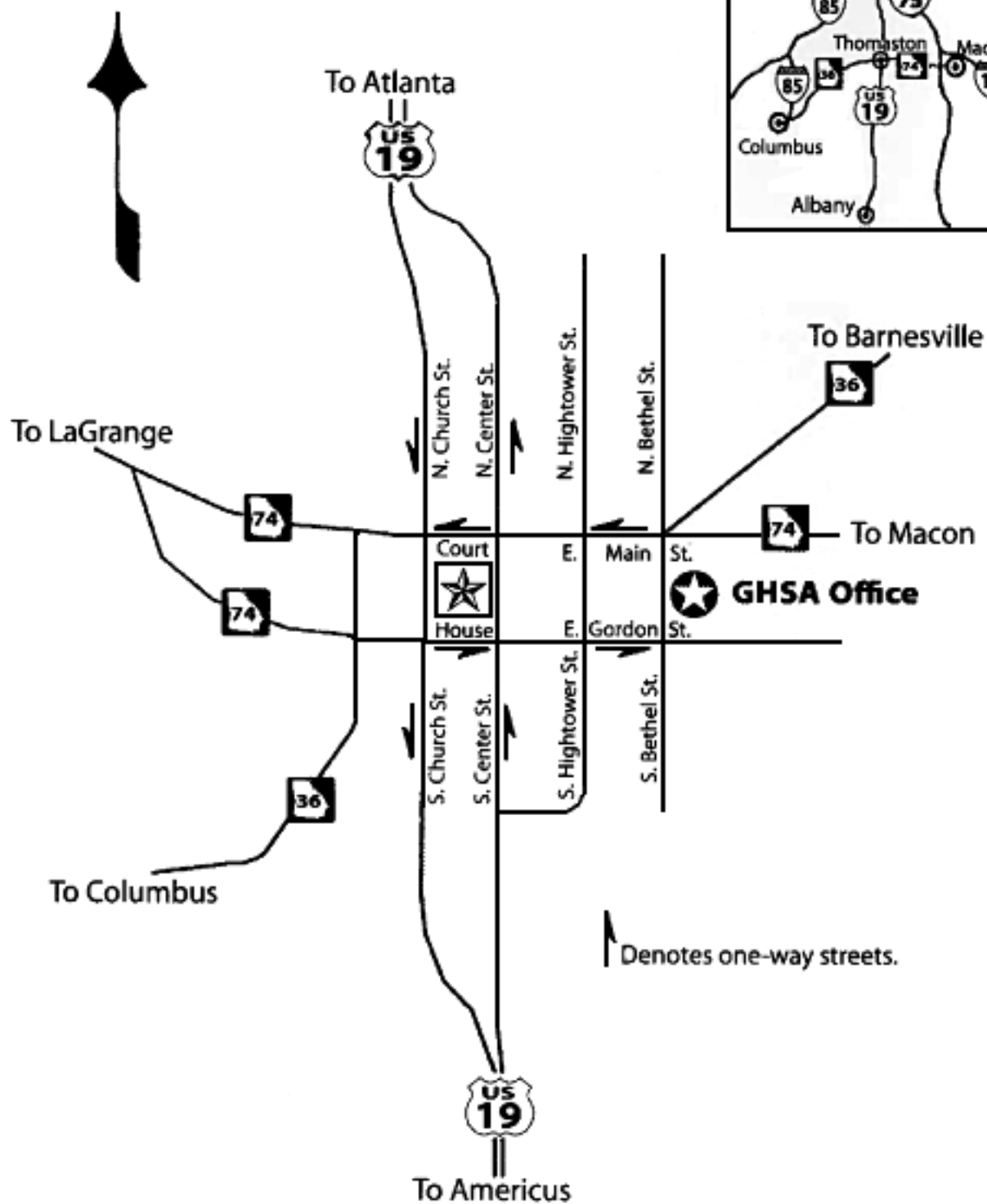
CONSTITUTION and BY-LAWS 2022-2023

*A Member of the National Federation of
State High School Associations*



151 South Bethel Street
Thomaston, Georgia 30286-0004
706-647-7473
FAX 706-647-2638
www.ghsa.net

North



Directions to the Georgia High School Association Office,
151 S. Bethel Street, Thomaston, Georgia

**GEORGIA HIGH SCHOOL ASSOCIATION
BEGINNING AND ENDING DATES FOR 2022-2023**

Revised
10/12/22

ACTIVITY	DATE FOR FIRST PRACTICE	FIRST CONTEST	MAXIMUM GAMES/DATES	LAST PLAY DATE	PLAYOFF QUALIFIERS DETERMINED	GHSA STATE PLAYOFF DATES					
						First Round/ Sectionals	Second Round	Quarterfinals	Semifinals	Finals	
FOOTBALL	Aug. 1	Aug. 19	10 (7 JV)	Nov. 5	Nov. 5	Nov. 11-12	Nov. 18	Nov. 25	Dec. 2	Dec. 8-10	
CHEERLEADING GAME DAY	Aug. 1 Aug. 1	Aug. 6 Nov. 5	6 (4 JV) -	Oct. 29 Feb. 18	Nov. 5 Feb. 18	Nov. 5				Nov. 11-12 Feb. 24	
SOFTBALL (FP) SOFTBALL (SP)	Aug. 1 Feb. 13	Aug. 4 Feb. 16	30 (21 JV) 16	Oct. 15 April 8	Oct. 15 April 8	Oct. 18-21 April 12	Oct. 18-21		Oct. 26-28	Oct. 29 April 19-20	
VOLLEYBALL	Aug. 1	Aug. 8	18 (13 JV) Dates	Oct. 15	Oct. 15	Oct. 18-19	Oct. 22	Oct. 25-26	Oct. 29	Nov. 4-5	
CROSS COUNTRY	Aug. 1	Aug. 8	10 (7 JV) Dates	Oct. 29	Oct. 29	Nov. 29	Nov. 29	Dec. 1	Dec. 5	Nov. 4-5 Dec. 8	
FLAG FOOTBALL	Sept. 19	Oct. 6	12 (8 JV)	Nov. 19	Nov. 19	Nov. 29	Nov. 29	Dec. 1	Dec. 5	Dec. 8	
ONE ACT PLAYS	Aug. 1	-	-	Oct. 29	Oct. 29					Nov. 12 & 19	
LITERARY	Aug. 1	-	-	March 11	March 11					March 18 & 25	
RIFLERY	Aug. 1	Oct. 24	-	March 1	March 1	March 11				April 1	
SWIMMING	Oct. 10	Oct. 24	10 (7 JV)	Jan. 27						Jan. 31 - Feb. 4	
DANCE	Oct. 24	Nov. 5	6 (4 JV)	Feb. 4	Feb. 18	Feb. 21-22	Feb. 24-25	Feb. 28-March 1		Feb. 11	
BASKETBALL	Oct. 24	Nov. 11	25 (18 JV)	Feb. 18	Feb. 18	Feb. 21-22	Feb. 24-25	Feb. 28-March 1	March 3-4	March 8-11	
WRESTLING	Oct. 24	Nov. 11	20 (14 JV) Dates	Feb. 4	Du - Jan. 6-7 Tr - Feb. 3-4	Du - Jan. 13-14 Tr - Feb. 11	Du - Jan. 13-14			Du - Jan. 21 Tr - Feb. 16-18	
GYMNASTICS	Jan. 9	Jan. 23	10 (7 JV)	April 12	April 12	April 19-20				April 21	
TENNIS	Jan. 9	Jan. 23	18 (13 JV) Dates	April 13	April 13	By April 20	By April 26	By May 2	By May 8	May 13	
SOCCER	Jan. 9	Jan. 30	18 (13 JV)	April 8	April 8	April 11-14	April 17-20	April 24-25	April 27-28	May 2-5	
TRACK & FIELD	Jan. 9	Feb. 6	10 (7 JV)	April 29	April 29	May 6				May 11-13	
LACROSSE	Jan. 16	Feb. 6	18 (13 JV)	April 22	April 22	April 26-27	May 1-2	May 4-5	May 9-10	May 12-13	
BASEBALL	Jan. 9	Feb. 6	30 (21 JV)	April 22	April 22 (Or Earlier)	April 22-28 (See Individual Brackets for Exact Playing Dates in Each Classification)	April 28-May 5	May 4-11	May 10-17	May 16-24	
GOLF	Feb. 1	Feb. 18	12 (8 JV) Dates	May 13	May 8 May 1 (5-7A)	May 8-9 (5-7A)				May 22-23	

NOTES: Dates and more information for Bass Fishing and Esports may be found on the GHSA web site (www.ghsa.net).
The "Dead Weeks" for the 2022-23 school year are Monday, May 29 through Sunday, June 4, 2023 and Monday, July 3 through Sunday, July 9, 2023. The GHSA office will be closed both weeks.

GHSA DEADLINE DATES - 2022-23

<u>Due Date</u>	<u>Material to be Submitted</u>	<u>Sent To</u>
July 25, 2022	Initial Eligibility Report Due - Football	GHSA
August 1, 2022	Initial Eligibility Report Due - Cheerleading & GameDay	GHSA
August 1, 2022	Initial Eligibility Report Due - Cross Country	GHSA
August 1, 2022	Initial Eligibility Report Due - One Act Play	GHSA
August 1, 2022	Initial Eligibility Report Due - Literary	GHSA
August 1, 2022	Initial Eligibility Report Due - Riflery	GHSA
August 1, 2022	Initial Eligibility Report Due - Fast Pitch Softball	GHSA
August 1, 2022	Initial Eligibility Report Due - Volleyball	GHSA
August 1, 2022	Directory & Pass Information Due (Post Electronically)	GHSA
September 19, 2022	Initial Eligibility Report Due - Flag Football	GHSA
October 1, 2022	Notification of Entry - One Act Play	GHSA
October 1, 2022	Final Date to Withdraw from Coed Cheerleading	GHSA
October 1, 2022	Notice of Entry - Cheerleading (Post Rosters Electronically)	GHSA/Reg. Sec.
October 10, 2022	Initial Eligibility Report Due - Swimming	GHSA
October 15, 2022	Membership Dues Form & Payment Deadline	GHSA
October 21, 2022	Contestants List - Cross Country (Post Electronically)	Meet Director
October 24, 2022	Initial Eligibility Report Due - Dance	GHSA
October 24, 2022	Initial Eligibility Report Due - Basketball	GHSA
October 24, 2022	Initial Eligibility Report Due - Wrestling	GHSA
January 9, 2023	Initial Eligibility Report Due - Gymnastics	GHSA
January 9, 2023	Initial Eligibility Report Due - Tennis	GHSA
January 9, 2023	Initial Eligibility Report Due - Soccer	GHSA
January 9, 2023	Initial Eligibility Report Due - Boys & Girls Track	GHSA
January 16, 2023	Initial Eligibility Report Due - Baseball	GHSA
January 16, 2023	Initial Eligibility Report Due - Lacrosse	GHSA
February 1, 2023	Contestants List - Literary (Post Electronically)	GHSA
February 1, 2023	Initial Eligibility Report Due - Golf	GHSA
February 13, 2023	Initial Eligibility Report Due - Slow Pitch Softball	GHSA
March 1, 2023	Notice of Intent to participate in all sports (2023-24)	GHSA
March 1, 2023	Football Schedules Due	GHSA
April 1, 2023	Participation Survey Due	GHSA
April 14, 2023	Golf Contestants List Due (Post Electronically)	GHSA
End Regular Season	Contestants List - Boys & Girls Track	Region Secretary
End Regular Season	Tennis Roster & Playoff Lineup (Post Electronically)	GHSA

TABLE OF CONTENTS

GHSA CONSTITUTION.....	7
BY-LAW SECTION 1.00 - STUDENT.....	14
By-Law 1.10 - Certification of Eligibility.....	14
By-Law 1.20 - Enrollment and Team Membership.....	14
By-Law 1.30 - Age.....	15
By-Law 1.40 - Limits of Participation.....	15
By-Law 1.50 - Scholastic Standing / Scholarship.....	16
By-Law 1.60 - School Service Areas / Transfer / Migrant Student.....	19
By-Law 1.70 - Recruiting / Undue Influence.....	22
By-Law 1.80 - Financial Aid.....	22
By-Law 1.90 - Amateur Status / Awards.....	23
BY-LAW SECTION 2.00 - SCHOOL.....	24
By-Law 2.10 - School Membership to GHSA.....	24
By-Law 2.20 - Administrative Responsibilities.....	25
By-Law 2.30 - Eligibility Reports Filed By The School.....	26
By-Law 2.40 - Student Retention for Athletic Activities.....	26
By-Law 2.50 - Qualifications to Coach.....	26
By-Law 2.60 - Interscholastic Contests and Practices (Heat and Concussion policies).....	28
By-Law 2.70 - Sportsmanship.....	33
By-Law 2.80 - Media and Filming Regulations.....	35
By-Law 2.90 - Regulations of Competitions.....	37
BY-LAW SECTION 3.00 - REGION.....	38
By-Law 3.10 - Region Authority.....	38
By-Law 3.20 - Region Responsibilities to State Association.....	39
By-Law 3.30 - Region Financial Obligations to State Association.....	39
BY-LAW SECTION 4.00 - STATE.....	39
By-Law 4.10 - GHSA Administrative Responsibilities to Member Schools.....	39
By-Law 4.20 - Reclassification.....	40
By-Law 4.30 - State Association Contest / Event Responsibilities.....	42
By-Law 4.40 - State Passes to GHSA Events.....	43
By-Law 4.50 - Certification of Athletic Officials.....	44
By-Law 4.60 - Special GHSA Policies.....	46
ATHLETICS AND ACTIVITIES.....	47
Baseball.....	47
Basketball.....	49
Bass Fishing.....	52
Cheerleading (including Game Day Cheerleading).....	53
Cross Country.....	57
Dance.....	58
Football (including Flag Football).....	60
Golf.....	66
Gymnastics.....	69
Lacrosse.....	71
Riflery.....	72
Soccer.....	74
Softball (including Slow Pitch).....	76
Swimming and Diving.....	79
Tennis.....	82
Track and Field.....	84
Volleyball.....	88
Wrestling.....	90
Esports.....	94
Literary.....	95
One Act Play.....	101
APPENDIX A: Alliance of GHSA and AAASP	
APPENDIX B: Brackets for All State Playoffs	
APPENDIX C: GHSA Officers and Executive Committee	
APPENDIX E: Eligibility Report Instructions	
APPENDIX F: Fee Chart for Officials	
APPENDIX P: Fines Structure for Rules Violations	
APPENDIX R: Reclassification Numbers and Alignment for 2022-23 School Year	
APPENDIX S: Service Areas for Non-Public Member Schools	
APPENDIX Z: Results and Records from 2021-22 School Year	

NOTE: Text printed in *italic* throughout this publication is **new or modified** material for this year.

This page intentionally left blank

CONSTITUTION

ARTICLE I - NAME OF THE ORGANIZATION

This organization shall be known as the Georgia High School Association.

ARTICLE II - OBJECT OF THE ORGANIZATION

The objective of the organization shall be the promotion of education in Georgia from a mental, physical, and moral viewpoint, to standardize and encourage participation in athletics, to promote sportsmanship and an appreciation for and study of music, speech, and other fine arts through Region and State competitions.

ARTICLE III — MEMBERSHIP

SECTION 1 SCHOOLS ELIGIBLE FOR MEMBERSHIP

The membership of the Georgia High School Association shall consist of public and private high schools in the state of Georgia.

SECTION 2 CLASSIFICATION OF SCHOOLS

- A. The Reclassification Committee of the GHSA Executive Committee shall place member schools in classifications and regions based on student F.T.E. figures and geographic proximity, respectively.
- B. Member schools will be realigned every two (2) years.
- C. The number of classifications and the number of regions will be determined by the Reclassification Committee at the time of each realignment.
- D. The number of classifications and regions, together with the assignment of schools therein, shall be submitted to the Executive Committee. The Executive Committee, by majority vote, may approve, reject or modify in any way the proposals submitted by the Reclassification Committee.

SECTION 3 STRUCTURE OF REGIONS

- A. After reclassification, all regions will meet and submit to the State Office, after the final reclassification vote, a plan for structure of the regions. These plans must spell out subdivisions, if any, for all activities. All regions must have been approved before any scheduling may be finalized.
- B. In the event that any member school has a complaint with the structure of a region, it shall so advise the Executive Director and all other schools in the subject region of such complaint in writing within seven (7) calendar days after the region meeting following the final reclassification vote. The Executive Director shall then convene a meeting of the Reclassification Committee to review the present and proposed region structure and to attempt to arbitrate the differences and, failing that, to make a recommendation to the Executive Committee.

All schools in the subject region shall be advised of the meeting of the Reclassification Committee by the Executive Director and shall have the right to present evidence to the Committee. Any member of the Committee which is a member of the subject region shall be disqualified from participation on the Committee.

- C. The Executive Committee shall have full authority to require all or any portion of a subregion to play cross-over games and to align or realign the subject region into new subregions.

SECTION 4 MEMBERSHIP IN ANOTHER ASSOCIATION

A school is not eligible for membership in the Georgia High School Association if it is or becomes a member of an association whose Constitution and/or By-Laws are in conflict with the Constitution and/or By-Laws of the Georgia High School Association.

ARTICLE IV - GOVERNANCE**SECTION 1
STATE OFFICERS**

The State Officers of this Association shall consist of a President, a Vice President, and an Executive Director.

**SECTION 2
STATE EXECUTIVE COMMITTEE**

- A. Membership of the State Executive Committee shall be composed of the State Officers, the State Superintendent of Schools or his/her representative, and one member elected from each region in each classification, plus one member each appointed by the Georgia School Boards Association, the Georgia School Superintendents' Association, the Georgia Association of Secondary School Principals, the Georgia Athletic Directors Association, and the Executive Secretary of the Georgia Athletic Coaches Association. Membership shall also include two female members appointed by the Executive Committee upon recommendation of the Board of Trustees from nominees submitted by each region. Each member shall have the right to vote on all matters pertaining to the operation of the Association.
- B. Terms of office for members of the State Executive Committee elected by regions shall coincide with the length of each reclassification cycle.
- C. When a member of the State Executive Committee is unable to attend a State Executive Committee meeting, the President of the region shall have power to appoint an eligible member of the region concerned to represent the region at that meeting.
- D. The State Executive Committee shall have the authority to appoint smaller committees to address issues related to the operation of the Association and its regulated activities, and to consider proposals made by such committees. The authority of the State Executive Committee shall be plenary in all matters pertaining to the Association and it may accept, reject or modify any proposals made or action taken by any committee, the Board of Trustees, the Appeal Board, the Hardship Committee or the Executive Director.
- E. Each member of the State Executive Committee shall have the right to vote on all matters coming before the full State Executive Committee.

**SECTION 3
BOARD OF TRUSTEES**

- A. Membership of the Board of Trustees shall be composed of the President, Vice President, and Executive Director, plus one member from each classification (as selected by a vote of the SEC representatives in that respective classification) and a total of *four (4)* at-large members (*three (3)* of which shall be appointed by the BOT) that must include at least two (2) females and *two (2)* private school representatives, and all *four* must be approved by a vote of the State Executive Committee. The term of office for members of the Executive Committee serving on the Board of Trustees shall coincide with the length of the reclassification cycle.
- B. The Board of Trustees shall receive and hold title to all real and personal property of said Association in trust for the benefit of said Association and shall have general custody and administration of such property with power and authority to lease, sell and convey said property of said Association; provided however, said Board of Trustees shall not sell or convey any real property so held by them in trust for said Association without first being authorized to do so by a majority vote of the State Executive Committee of said Association at a meeting duly called for such purpose.
- C. The Board of Trustees reviews pertinent issues relative to the successful operation of the organization. The Board of Trustees reviews the recommendation by the Executive Director concerning the budget, recommends committee appointments, evaluates and recommends length of contract for the Executive Director. The Board of Trustees recommends the two at-large female representatives to the Executive Committee.
- D. The Board of Trustees shall be authorized and empowered to exercise the powers of the Executive Committee including, but not limited to, the power to amend the by-laws of the association, and to otherwise make decisions relating to the association and its member schools as otherwise allowed to be made by the Executive Committee under the constitution and by-laws of the association.
 - 1. A majority of the Board of Trustees shall constitute a quorum thereof for the purposes of this Subsection D and action shall be authorized and taken by a majority of the votes cast.
 - 2. The meeting of the Board of Trustees under this section shall be noticed by the Executive Director or President by any reasonable means and any meeting of the Board of Trustees may be held electronically. In addition, such vote may be taken by telephone polling of the Board of Trustees by the Executive Director if appropriate in the discretion of the President.

3. Any action taken by the Board of Trustees under this Subsection D shall be subject to affirmation, rejection or modification at the next meeting of the GHSA Executive Committee or thereafter.
- E. Upon receiving a referral from the Executive Director of alleged intentional or grossly negligent violations of GHSA by-laws and rules by GHSA member schools or their personnel, the Board of Trustees by majority vote shall have the authority to assess further and additional penalties for such intentional or grossly negligent violations against the member school including, but not limited to, an additional fine of not more than \$2,500.00 for each such offense, and/or probation for a period of up to one calendar year in the sport(s) in which the violation occurred, and/or suspension of the member school from the GHSA for a period of up to one full calendar year. Any additional penalties assessed under this paragraph shall be appealable to the GHSA Executive Committee.

SECTION 4 STATE APPEAL BOARD

- A. The State Appeal Board shall be composed of members selected from the full State Executive Committee on a rotating basis.
- B. The duties of the State Appeal Board as set forth in Sec. 9 shall be performed by four (4) members of the Board sitting on an alternating basis as selected and notified by the Executive Director.
- C. Eligibility appeals in regard to the eight-semester rule will be referred by the Executive Director to the State Executive Committee for a final ruling.
- D. There shall be no appeal of eligibility related to age restrictions set forth in the by-laws.

SECTION 5 HARDSHIP COMMITTEE

- A.
 1. The Hardship Committee shall be composed of members selected from the full State Executive Committee on a rotating basis.
 2. The duties of the Hardship Committee shall be performed by four (4) members of the Executive Committee sitting on an alternating basis as selected and notified by the Executive Director.
- B. The Hardship Committee shall have the authority to set aside the effect of the migratory rule, the courses passed rule, and the accumulation of credits rule upon an individual student when in its opinion the rule works an undue hardship upon that student. The Hardship Committee does not hear cases regarding eight-semester violations, or appeals arising under the By-Laws.
 1. The Hardship Committee shall meet at a location and on dates established by the Executive Director and published in the GHSA Calendar. Requests will be considered to have a rule or rules set aside for benefit of individual students and shall consider such requests at the meetings held for that purpose, but not at any other meetings of the committee. If conditions upon which a request is based develop after April 1, the Executive Director is authorized to set a date for a special meeting to be held at the State Office to consider such case or cases.
 2. The principals of all member schools who have filed requests to have the effect of a rule set aside for individual students shall be notified of the time of the meeting at which such requests will be considered not less than seven (7) calendar days before such meeting.
 3. A request will be considered at a meeting only if complete information concerning the case is filed in writing with the Executive Director at least ten (10) calendar days prior to the date of the meeting and if a representative of the school, along with the student, is present at the meeting to furnish the Hardship Committee with information. Complete information includes a transcript.
 4. The conditions which cause the student to fail to meet the eligibility requirements must have been beyond the control of the school, the student, and/or his parents, and such that none of them could reasonably have been expected to comply with the rule. Ignorance of the rule on the part of any or all of them shall not be considered sufficient cause for setting aside its effects.
 5. The decision of the Hardship Committee shall be decided by a majority vote to set aside the effects of the rule in each individual case, and such decision shall not be considered as setting a precedent for other cases of a somewhat similar nature.
 6. The decision of the Hardship Committee shall be appealable to the Appeals Board by compliance with Sec. 9C & 9D of the Constitution and then to the State Executive Committee by compliance with Sec. 9F of the Constitution.

- C. 1. The Executive Director shall have the authority upon receiving an application by a member school to set aside the effect of any eligibility rule upon an individual student within the jurisdiction of the Hardship Committee and to grant the same without necessity of the appearance of the student or a representative of the school before the Hardship Committee when, in the judgement of the Executive Director, the circumstances regarding the application are such that:
- (a) The conditions which cause the student to fail to meet the eligibility requirements are beyond the control of the school, the student, and/or his parents and such that none of them could reasonably have been expected to comply with the rule; and,
 - (b) The conditions which cause the student to fail to meet the eligibility requirements work an unjust, unfair, and unforeseeable hardship upon the student; and
 - (c) The facts are clear, undisputed, and supported by appropriate documentation.
2. The Executive Director shall have the authority to grant or deny an application for hardship status.
- D. 1. The Executive Director shall have the discretion upon receiving an application by a member school to set aside the effect of any academic eligibility rule upon individual students when, in the judgement of the Executive Director, the following criteria are met:
- (a) The conditions which cause the student to fail to meet the eligibility requirements are beyond the control of the school, the student and his parents, and such that none of them could reasonably have been expected to comply with the rule; and
 - (b) The conditions which cause the student to fail to meet the eligibility requirements work an unjust, unfair and unforeseeable hardship upon the student; and
 - (c) The facts are clear, undisputed and supported by appropriate documentation and evidence; and
 - (d) The setting aside of the subject rule would not result in an unfair advantage to the school or student nor compromise the safety of any other student.
2. The decision of the Executive Director shall be appealable under the provisions of Section 9 of the GHSA Constitution and By-Laws.

SECTION 6 REGION OFFICERS

- A. Each Region of each Classification shall elect a President, a Vice President, a Secretary-Treasurer, and from one to three committee members. No two of the above shall be from the same school unless the two are President and the Secretary-Treasurer. These officers, together with any member of the State Executive Committee from the region, shall compose the Executive Committee in their region.
- B. A member of the State Executive Committee who is not an elected member of his Region Executive Committee shall be an added member of his respective Region Executive Committee. This provision that only one (1) member of the Region Executive Committee may come from the same school will apply only to the members elected by the region, and will not apply when the State Executive Committee member in the region is from the same school as an elected member.
- C. The treasurer of each region is required to make an itemized statement of the income and expenditures of all funds to the region. When a new treasurer is elected, any balance must be turned over to the new officer immediately.

SECTION 7 DUTIES OF OFFICERS

The duties of the various officers and committees shall be those usually devolving upon such officers and committees. It is specifically the duty of the State Executive Committee and the Region Executive Committees to seek at all times to educate the school officials under their jurisdiction, and at the same time, to check vigorously any practice or violation of the rules by exercising the full penalty for such violations if it is deemed necessary.

SECTION 8 ELECTION OF OFFICERS

- A. A President and a Vice President shall be elected as State Association officers at the spring meeting of the Georgia High School Association for a term that shall coincide with the length of the reclassification cycle.
- B. The election and term of office of the Executive Director shall be for a term of one to five years at the discretion of the State Executive Committee and the President and Vice President of the Georgia High School Association and shall be authorized to execute a contract in the name of and for the Georgia High School Association.
- C. Only members of the State Executive Committee shall be entitled to vote in elections.

- D. Should the President become disqualified by death, resignation, or otherwise, the Vice President shall assume the office immediately and shall act as President until the vacancy is filled.
- E. Any vacancy which may occur in the office of President or Vice President shall be filled at the next meeting of the State Executive Committee.
- F. Each region in each Classification shall elect at any region meeting, a President, a Vice President, a Secretary-Treasurer, and from one to three region committee members as region officers.

Terms of office shall be for two (2) years, and elections shall be held at the beginning of each reclassification cycle. Any vacancy occurring on a Region Committee shall be filled by the Region Committee until the next meeting of the region.

- G. The State Executive Committee member from each region shall be elected at any Region meeting when there is a vacancy to be filled. The term of office shall coincide with the length of each reclassification cycle. Any vacancy occurring on the State Executive Committee shall be filled by the Region Committee until the next meeting of the region concerned.

**SECTION 9
AUTHORITY OF EXECUTIVE DIRECTOR
APPELLATE PROCEDURE**

- A. The State Executive Director shall be authorized to interpret the rules of the Georgia High School Association and to impose the proper penalty for their violation, including but not limited to, declaring a student ineligible to compete in GHSA activities for a period of time of up to four (4) years. The Assistant Executive Director shall, upon the absence or at the direction of the Executive Director, have all the powers and responsibilities of the Executive Director as provided under this Constitution and the By-Laws of the GHSA. The State Executive Director shall make all arrangements for holding and conducting the State Meets and Tournaments.
- B. All questions pertaining to eligibility or any other matters under the rules of the Georgia High School Association must first be submitted to the State Executive Director. If the question concerns a violation of any of the rules of the Georgia High School Association, the State Executive Director shall notify the member schools involved and advise them of the charges and advise them of their right to submit evidence and their right to request a hearing. The State Executive Director, after hearing or examining the evidence of the party or parties concerned, shall render a decision.
- C. Should any member school not be satisfied with the decision, appeal may then be made to the State Appeal Board by filing a written notice of appeal to the State Appeal Board through the State Executive Director within seven (7) calendar days of the date of the decision, which notice of appeal shall clearly state the decision appealed and the reasons for such appeal. The State Executive Director shall notify the State Appeal Board and all other parties of the appeal. Provided however, that if the only issue under appeal is to request modification of the penalty imposed by the Executive Director, then the member school may appeal directly to the Executive Committee. Any appeal of the decision of the Executive Director does not suspend the ruling made or penalty assessed pending a ruling on the appeal.
- D. Appeal Board meetings shall be set on dates established by the Executive Director and published in the GHSA Calendar.
 - 1. Any request to the Appeal Board must be in the hands of the Executive Director seven (7) calendar days before the scheduled meeting date.
 - 2. Any other appeal requested (other than regularly scheduled dates) must be accompanied by a check sufficient to pay the entire estimated expenses of the Appeal Board to defray the cost of bringing the Appeal Board into session.
 - 3. All requests for appeals must be in writing with the stated reasons for an appeal, and signed by the administrative head of the individual school.
 - (a) An appeal of an eligibility decision must be based on one or more of the following reasons:
 - (1) There is substantial new information to be submitted that was not heard by the previous group making the decision that is being appealed.
 - (2) There is an allegation that a GHSA rule was misapplied in that ruling.
 - (3) There is an allegation that due process was not given in previous considerations.
 - (b) An appeal of a decision by the Executive Director must be based on one of the following reasons:
 - (1) There is an allegation that a GHSA rule was misinterpreted.
 - (2) There is an allegation that the Executive Director did not afford due process to the school.

- (c) All appeals shall set forth the basis for the appeal and the facts supporting the same, and shall be screened by the Executive Director for compliance with this rule prior to scheduling a hearing.
- E. The State Appeal Board, after hearing or examining the evidence submitted by the party or parties, may affirm or reverse the decision of the Executive Director. In order to sustain an appeal, the vote of the Appeal Board shall be unanimous.
- F. Should any member school not be satisfied with the decision of the State Appeal Board, they may appeal to the State Executive Committee by filing a written notice of appeal to the State Executive Committee through the State Executive Director within seven (7) calendar days of the date of the decision. The notice of appeal shall clearly state the decision being appealed and the reasons for such appeal. Such notice of appeal shall be accompanied by a check sufficient to pay the entire expenses of the State Executive Committee when such appeal is required to be heard at a time other than regularly scheduled meetings of the State Executive Committee.
- G. The State Executive Committee, after hearing or examining the evidence submitted by the party or parties concerned, shall render a decision to affirm, reverse, or modify the decision under appeal.
- H. No other method of appeal shall be held valid and any appeal must begin with the first step outlined and not eliminate any step until reaching the final court of appeal, the State Executive Committee. When the decision by the State Executive Committee is in favor of the appealing party or parties, the State Executive Committee may charge the expense of the meeting to the Georgia High School Association and reimburse the appealing party or parties.
- I. The Executive Director shall have the authority to lengthen or shorten the time for appeals of decisions, if required in his discretion, to accommodate pending schedules, events or other matters.
- J. *Nothing in the Constitution of the GHSA is intended to give any individual students of GHSA member schools any due process or other rights as only member schools are entitled to any notice or opportunity to be heard in any questions coming before the GHSA. No student of GHSA member schools shall have any rights or benefits under this Constitution as a third party beneficiary or otherwise.*

SECTION 10 VOTE

Each school shall have one (1) vote in a Region meeting and each member of the State Executive Committee shall have one (1) vote in the State Executive Committee meeting.

SECTION 11 AMEND CONSTITUTION AND BY-LAWS

- A. To amend the Constitution, it shall take a two-thirds vote of the members of the Executive Committee who are present at a regular or properly called meeting at which a quorum is present. Blank ballots, abstentions and pass votes are excluded.
- B. To amend the By-Laws, it shall take a majority vote of the members of the Executive Committee who are present at a regular or properly called meeting at which a quorum is present. Blank ballots, abstentions and pass votes are excluded.
- C. The effective date of any changes in the Constitution & By-Laws will be the next school year unless otherwise provided by the change.
- D. Proposed changes to the Constitution must be adopted at two separate meetings of the Executive Committee to be held not less than 30 calendar days apart.

SECTION 12 BI-ANNUAL MEETINGS

- A. The State Executive Committee of the Georgia High School Association shall meet in the spring and fall of each year on such dates as may be designated by the State Executive Director.
- B. In addition to these meetings, special meetings may be called by the State President or the Executive Director at any time or place upon giving reasonable notice to the members of the Committee.
- C. The Executive Director is required to present an itemized statement of the income and expenditures of all funds to the State Executive Committee.

**SECTION 13
VIOLATION OF RULES**

- A. Each school is required to abide by all rules of the Georgia High School Association as promulgated by the State Executive Committee and interpreted by the Executive Director.
- B. The Executive Director is authorized to make such investigation as may be necessary and to judge whether or not a school has violated a rule. When a school is adjudged guilty, the Executive Director is authorized to direct the penalty or penalties, including but not limited to, declaring a student ineligible to compete in GHSA activities for a period of time of up to four (4) years. The Executive Director shall also have the authority to refer allegations of intentional or grossly negligent violations of GHSA by-laws and rules by GHSA member schools or their personnel to the GHSA Trustees for considerations of additional penalties.
- C. A school violating any rule, whether it be due to carelessness, willfulness, ignorance or any other cause, may be subject to a fine of not more than two thousand-five hundred dollars (\$2,500.00) for each offense, and/or probation in the sports(s) in which the violation has been made, and/or suspension from the Association up to a full calendar year, and/or forfeiture of games and/or contests involved. (NOTE: See Appendix "P" at the end of this publication for a detailed schedule of fines)
- D. PROBATION - placing a school on probation permits a school to compete in regular season games and/or contests, but bars that school from competing for any championship during the period of probation.
- E. A school which, after investigation, is adjudged guilty of violating the rules of the Georgia High School Association shall pay the costs incidental to such investigation; such cost to be in addition to fines or penalties assessed. Failure to pay the cost shall result in suspension or in lengthening the period of suspension.

**SECTION 14
CODE OF ETHICS**

The Georgia High School Association recognizes its responsibility with respect to the promotion of honesty, truthfulness, and accuracy in record-keeping and reporting. Therefore, the professional personnel of the member schools are charged with upholding the Code of Ethics adopted by the Professional Standards Commission as accepted and approved by the State Board of Education.

ARTICLE V — GENERAL PROVISIONS

**SECTION 1
CONTESTS**

- A. Each region may hold annual contests in literary, athletics, and other forms of contests designed to promote the cause of education and authorized by the State Executive Committee.
- B. Such contests must be held on dates to be announced in this Constitution and By-Laws under the rules governing State and Regional meets.
- C. Schools shall compete in their own classifications in State and Regional meets.
- D. Winners in regional meets may be sent to the State Meet in both athletic and literary events.

**SECTION 2
ORGANIZATION PURPOSE**

- A. The purpose for which the Georgia High School Association is organized is exclusively educational within the meaning of IRC 501 (c) (3) or the corresponding provisions of any future United States Internal Revenue Law.
- B. Notwithstanding any other provisions of these articles, the Georgia High School Association shall not carry on any other activities not permitted to be carried on by an organization exempt from Federal income tax under IRC 501 (c) (3) or the corresponding provision of any future United States Internal Revenue Law.
- C. In the event of dissolution, the residual assets of the organization will be turned over to one or more organizations which themselves are exempt as organizations described in sections 501 (c) (3) and 170 (c) (2) of the Code or corresponding sections of any prior or future Internal Revenue Code, or to the Federal, State, or local government for exclusive public purpose.

BY-LAWS

The Georgia High School Association recognizes that local boards and/or governing bodies may place more stringent requirements as they deem appropriate. The Association encourages all boards of education and/or governing bodies to extend the same rules and regulations to all extra-curricular activities under their jurisdiction.

These rules establish the provisions governing student eligibility to participate in interscholastic activities.

- A. The word “student” used in these By-Laws refers either to a boy or girl participant in interscholastic athletics, cheerleading, or literary activities. Therefore, according to correct grammatical usage, since the antecedent “student” can involve persons of both sexes, the masculine pronouns he, his, or him used throughout said By-Laws will refer to either male or female participants.
- B. The word “principal” used in these By-Laws refers either to a male or female head of a secondary school. Therefore, according to correct grammatical usage, since the antecedent “principal” can involve or refer to persons of either or both sexes the masculine pronouns, he, him, or his, will refer to a male or female head of a secondary school.
- C. The abbreviations GHSA used throughout these By-Laws refers to the Georgia High School Association.
- D. Nothing in the By-Laws of the GHSA is intended to give any individual students of GHSA member schools any due process or other rights as only member schools are entitled to any notice or opportunity to be heard in any questions coming before the GHSA. No student of GHSA member schools shall have any rights or benefits under these By-Laws as a third party beneficiary or otherwise.

BY-LAW 1.00 - STUDENT

1.10 - CERTIFICATION OF ELIGIBILITY

- 1.11 **Students gain eligibility** to practice or compete for the school in which they are enrolled after they have been certified by the principal of that school, after the eligibility forms have been processed by the GHSA office, and after the students have met the standards of:
 - (a) academic requirements
 - (b) age
 - (c) semesters in high school
 - (d) residence in the school's service area
 - (e) transfer rulesNote: Students establishing eligibility as entering 9th graders are automatically eligible for the first semester unless over age.
- 1.12 The **certification of eligibility** shall be submitted initially in each sport or activity no later than the date set by the GHSA for the first practice in that sport or activity.
 - (a) This due date does not consider the date of the first contest scheduled.
 - (b) EXCEPTION: Literary, One-Act Play and Riflery certification is due twenty (20) calendar days prior to the first scheduled contest.
- 1.13 If a student ruled ineligible by the GHSA, competes interscholastically due to the terms of a **court restraining order or injunction** against his/her school and/or the GHSA, and then has the court order vacated, stayed, reversed, or ruled unjustified; the Executive Director shall take one or more of the following actions against the school involved in the interest of restitution and fairness to the competing school(s):
 - (a) Require that individual and/or team records and performances achieved during participation by the ineligible student be vacated or stricken.
 - (b) Require that team victories be forfeited to the opponent(s).
 - (c) Require that team awards earned by the school or individual awards earned by the ineligible student be returned to the GHSA.

1.20 - ENROLLMENT AND TEAM MEMBERSHIP

- 1.21 **To be eligible to participate and/or try-out** for a sport or activity, a student must be enrolled full time in grades 9-12 inclusive at the school seeking eligibility for that student.
 - (a) Enrollment is defined as follows:
 - (1) Fall Semester: when the student participates in a practice or contest before classes begin, or the student attends classes.
 - (2) Spring Semester: when the student attends classes.
 - (3) A student may be enrolled in only one (1) high school at a time.

- (b) The student must be in regular attendance.
- (c) The student must be taking courses that total at least 2.5 Units that count toward graduation.
NOTE: If an eligible student transfers from a school on a block-schedule format to a school using a traditional format (or vice versa) and cannot get a full schedule of classes with equivalent credit, the school may petition the Executive Director for a waiver of this rule for the semester the transfer occurs.
- (d) All or part of the course load of a student may be taken online through a virtual school as long as the student's grades are being kept at the school in which the student is enrolled. Grades from virtual school courses must be on file at the school by the first day of the new semester for the student to be eligible.

1.22 Students enrolled in **grade 9 in a middle or junior high school** which is a feeder school to the high school may participate in interscholastic activities for the parent school.

1.23 All-male schools may enlist female students from other schools to be on sideline cheerleading squads as long as the following conditions are met:

- (a) Each cheerleader must be eligible at the school at which she is enrolled, and must have a signed release from an administrator at that school.
- (b) Each cheerleader must have a GHSA Pre-participation Physical Evaluation Form on file at the school where she will be cheering as well as at the school at which she is enrolled.
- (c) Each cheerleader must have insurance coverage comparable to all other participants in GHSA activities.
- (d) Supervision must be provided by the all-male school for all practices and games.

1.30 - AGE

To be eligible to participate in interscholastic activities, a student must not have reached his 19th birthday prior to May 1st, preceding his year of participation.

1.40 - LIMITS OF PARTICIPATION

1.41 Students must have a certificate of an **annual physical examination on file** at the school prior to participating in any athletic try-outs, practices, voluntary workouts or games that indicate the students are physically approved for participation.

- (a) Physical examinations will be good for twelve (12) months from the date of the exam. EXCEPTION: Any physical examination taken on or after April 1 in the preceding year will be accepted until that school ends classes the next Spring or concludes its final Spring sports season (for those participating students).
- (b) The physical exam must be conducted by a licensed medical physician, doctor of Osteopathic medicine, nurse practitioner or a physician's assistant.
- (c) The exam must be signed by an M.D., D.O., or by a Physician's Assistant, or an Advance Practice Nurse who has been delegated that task by an M.D., or D.O.
- (d) The GHSA requires that member schools use the edition of the preparticipation physical evaluation form approved by the American Academy of Pediatrics, et. al., found on the GHSA web site.

1.42 A student has **eight (8) consecutive semesters** or four (4) consecutive years of eligibility from the date of entry into the ninth grade to be eligible for interscholastic competition.

- (a) A student is not considered to have entered the 9th grade when high school level courses are taken if the student is regularly enrolled in a school in a grade below the ninth grade.
- (b) Credits earned toward high school graduation which are taken below the ninth grade may be used when considering high school eligibility.
- (c) The provisions of the eight (8)-semester rule in the case of an individual student may be waived by the Executive Director upon presentation of evidence of true hardship beyond the student's control, or by the State Executive Committee upon timely application by a member school for placement on the Spring or Fall agenda.

1.43 **Sub-varsity competitors** must meet all eligibility requirements with the exception of the migratory rule.

1.44 Students in grade 9 and higher may participate on **both the varsity and one (1) sub-varsity team** in the same sport with the following limitations:

- (a) Football – a player may not participate in interscholastic competitions more than six (6) quarters per week, beginning with the varsity game.
- (b) Basketball – a player may not participate in interscholastic competition more than six (6) quarters per calendar day. (Note: Tournaments are exempt from this restriction.)
- (c) Soccer – a player may not participate in interscholastic competition more than three (3) halves per calendar day. (Note: Tournaments are exempt from this restriction.)
- (d) Lacrosse – Boys may not participate in interscholastic competitions more than six (6) quarters per day; Girls may not participate in interscholastic competitions more than three (3) halves per day.
- (e) Wrestling – the combination of play dates (wrestling and girls wrestling) in which a student participates may not be greater than the current varsity limit of play dates.

- (f) All other sports - the combination of games or play days (varsity and sub-varsity) in which the student participates may not be greater than the limit allotted to the varsity in that sport.

NOTE: Violations of these participation rules in ANY sport will result in a mandatory fine and an automatic forfeiture of the game in which the student exceeded the limit. Additional penalties may be imposed by the Executive Director in extreme circumstances.

- 1.45 **Eighth grade students** may participate on a sub-varsity team of a high school provided they attend a feeder school of that high school.
- Students in grade 8 are never eligible for a varsity event in any activity.
 - Eighth grade students who play on a high school team must meet all middle school requirements as put forth by the State Department of Education.
 - An eighth grade student who is declared ineligible at a middle school or retained for academic reasons, is considered to be ineligible for participation on a sub-varsity high school team.
 - Eighth grade students participating on a sub-varsity team may only participate in 70% of the number of games allotted to the varsity team in that sport. Eighth grade students may not participate in more sub-varsity and middle school contests combined than the number the GHSA allows for varsity competition in that respective sport.
 - Students below the eighth grade are not eligible to participate on any high school team.
 - Students enrolled in grade 8 in a middle school or junior high school which is a feeder school to the member high school may participate in Spring football practice.
 - Students enrolled in grade 8 in a middle school or junior high school which is a feeder school to the member high school may **try out** for cheerleader at the high school. Eighth grade students at a non-feeder school that has no system high school may participate in cheerleader tryouts at the member high school serving the student's area of residence. Such a student must be pre-enrolled at that member high school, and once pre-enrolled, the student has established eligibility at that high school.
 - Eighth grade students who attend a feeder school for one member high school may NOT participate in any sport or activity practice at a different member high school.
 - All eighth grade students should be reported on Eligibility Form D, available on the GHSA web site.
- 1.46 The number of contests, start and end dates, and the number of practice days allowed for each sport or activity can be found listed in a calendar at the front of this publication. (NOTE: The season ends for a team when that team is eliminated from the post-season competition or wins the State Championship in that sport.)
- 1.47 **A student's gender** is determined as follows:
- Girls may participate on boys' teams when there is no girls' team offered in that sport or activity by the school (**exception:** wrestling). Boys may not participate on girls' teams even when there is no corresponding boys' sport or activity. Cheerleading is a coed sport.
 - A student's sex is determined by the sex noted on his/her certificate at birth.*
 - The GHSA will attempt to accommodate requests for private restroom or locker/dressing room facilities for students requesting the same at GHSA playoff events or contests provided notice of the request is made as soon as possible to the GHSA office. No student shall be required to utilize the private facilities.
- 1.48 **Advisory Notice - Pregnant Students:** In response to the increasing number of pregnant students attending member schools, and the continued participation of these students in GHSA activities, the following advisory notice is being offered:
- During the first 18 weeks of pregnancy, students, with written consent from a physician, may be allowed to participate in athletic activities except those activities in which a fall or other rapid deceleration is likely to occur.
 - Pregnant students are not allowed to participate in any athletic activities after the 18th week of pregnancy.
- 1.49 Schools having students participate in athletic activities with **artificial limbs** must certify that the artificial limb is no more dangerous to participants than a natural limb.
- A permission form must be filed with the GHSA office.
 - The form may be found in the Miscellaneous section on the GHSA web site.

1.50 - SCHOLASTIC STANDING / SCHOLARSHIP

- 1.51 To be eligible to participate, practice, and/or try out in interscholastic activities, a student must be academically eligible. A student is required to pass classes that carry at least 2.5 Units counting toward graduation the semester immediately preceding participation. Exception: First semester ninth-grade students.
- Passing in all GHSA member schools is a grade of seventy (70).
 - Students participating in junior varsity or "B" team competition must meet all scholastic requirements.
 - If an eligible student transfers from a school that uses a block-schedule format to a school using a traditional format (or vice versa) and that student cannot get a full schedule of classes with equivalent credit in the semester of the transfer, the school may petition the Executive Director for a waiver of this rule for the first semester after the transfer occurs.

- (d) For schools offering courses with yearlong grading, eligibility must be computed for each semester.
- (1) At the end of the first semester, the school must determine that the student has a grade of 70% or higher in classes carrying at least 2.5 Units.
 - (2) The second semester grade will be the grade given for the entire course and shall include the end-of-course test grade.
 - (3) Remediation programs designed to bring the student's first semester grade up to 70% or higher may be used (in accordance with GHSA guidelines) if the school allows such programs for all students.
- 1.52 Students gain or lose eligibility on the first day of the subsequent semester. The first day of the Fall semester shall be interpreted as the first date of practice for the first sport.
- (a) Exception: Students who successfully complete summer school to maintain eligibility become eligible the last day of summer school.
- (1) Summer school is an extension of the previous semester and courses may be:
 - a. remedial in nature where a previously-taken course is repeated in its entirety with a new grade being given.
 - b. enrichment in nature where a new course is taken that results in new credit being earned.
 - (2) A maximum of two (2) unit credits earned in summer school may be counted for eligibility purposes. NOTE: Additional credits may be earned in credit recovery programs or make-up programs after the start of the new semester.
 - (3) Summer school credits earned in non-accredited home study programs or non-accredited private schools may not be used to gain eligibility. Accreditation recognized under the rule shall be from the Georgia Accrediting Commission (GAC) or a regional accreditation agency (such as SACS) or the Georgia Private School Accreditation Council (GAPSAC).
 - (4) An independent study course taken in summer school must be regionally accredited and accepted by the school system for graduation credit.
- (b) Courses completed after the beginning of a new semester may not be used to gain eligibility for that semester. Example: night school classes, correspondence courses, etc.
- (c) Independent study courses taken during the school year must meet the criteria of 1.52 (a) 4.
- 1.53 Students must **accumulate units towards** graduation according to the following criteria:
- (a) **First-year students** (entering 9th grade) are eligible academically. Second semester **first-year students** must have **passed courses carrying at least 2.5 units** the previous semester in order to participate.
 - (b) **Second-year students** must have **accumulated five (5) total units** in the first year, **AND passed courses carrying at least 2.5 units** in the previous semester.
 - (c) **Third-year students** must have **accumulated eleven (11) units** in the first and second years, **AND passed courses carrying at least 2.5 units** in the previous semester.
 - (d) **Fourth-year students** must have **accumulated seventeen (17) units** in the first three years, **AND passed courses carrying at least 2.5 units** in the previous semester.
 - (e) Students may accumulate the required units for participation during the school year and eligibility will be reinstated at the beginning of the next semester.

ADVISORY NOTICE: CURRICULAR INNOVATIONS

A. BLOCK FOUR PROGRAMS:

1. The student takes four courses that are worth one (1) unit each and the classes meet twice the number of hours per week as in the standard curricular programs.
2. To be eligible, a student must earn at least 2.5 units.
3. Unit requirements are the same in all curricular programs.

B. BLOCK EIGHT PROGRAMS:

1. The student takes eight courses at some time during the term, and each course is worth one-half unit.
2. To be eligible, a student must earn at least 2.5 units during the term.
3. Unit requirements are the same in all curricular programs.

C. HYBRID SCHEDULING:

1. Definition: A student takes a combination of courses scheduled as block courses, yearlong courses and/or traditional courses.
 2. To be eligible, a student must be enrolled in a combination of courses that carry at least 2.5 units.
 3. To be eligible, a student must have passed a combination of courses the previous semester that carries at least 2.5 units.
-

- 1.54 A Dual Enrollment program is defined as a program in which a fulltime student at a GHSA member high school takes one or more courses from a state public or private postsecondary institution and receives credit at the high school (toward graduation) and at the postsecondary institution.
- (a) Dual enrolled students shall take courses that are approved by the Georgia Department of Education.
 - (b) Courses may be taken in a variety of formats (including distance learning and virtual courses) as long as the courses are approved.
 - (c) Postsecondary semester hour credit shall be converted to high school unit credit as follows:
 - (1) 1-2 semester hours equates to .5 unit
 - (2) 3-5 semester hours equates to 1 unit
 - (d) Postsecondary quarter hour credit shall be converted to high school unit credit as follows:
 - (1) 1-3 quarter hours equates to .5 unit
 - (2) 4-8 quarter hours equates to 1 unit
- 1.55 Students involved in approved Dual Enrollment programs shall be eligible to participate in GHSA activities provided that academic eligibility is maintained.
- (a) Courses taken each semester at the high school and/or postsecondary institution must total at least 2.5 units.
 - (b) Courses passed the previous semester at the high school and/or postsecondary institution must total at least 2.5 units
 - (c) Students will gain or lose eligibility on the first day of each semester at the high school and a college calendar that differs from the high school calendar may cause problems.
 - (d) Students who withdraw or are dropped from a Dual Enrollment program and are returned to the high school only, may encounter eligibility problems.
 - (e) Students involved in Joint Enrollment programs, Early College programs, or Gateway to College programs may not be eligible at their respective high schools.
 - (f) A student who participates on an intercollegiate athletic team may not participate in any GHSA activity.
- 1.56 **Loss of Eligibility:** Students assigned to an **alternative school** or on **out-of-school suspension for disciplinary reasons, or adjudicated to YDC**, lose their eligibility. Suspension is considered to have ended when the student is physically readmitted to the classroom.
- 1.57 **Failure to Meet Academic Standards:** When a school administrator believes that the student has failed to meet the academic eligibility requirements due to conditions that were beyond the control of the school, the student, and/or his parents, and such that none of them could have been expected reasonably to comply with the rule, he may request that the student's case be put on the agenda of the **Hardship Committee**.
- (a) Ignorance of the rule(s) on the part of any individual is not sufficient cause to set aside the rule(s).
 - (b) Schools must supply all the materials requested on the Hardship Application Form on the GHSA website.
- 1.58 **Credit Recovery/Make-up Work:** Students who have academic deficiencies at the end of a semester may make up those deficiencies in programs that are available to any student in the school. NOTE: Programs allowing students to recover academic credit have a variety of names in various schools.
- (a) Credit recovery programs are short-term programs that involve a course that has been completed and a grade given. The student is given the opportunity to work on areas of deficiency.
 - (b) Make-up programs occur when a course has not been completed and an "Incomplete" grade has been given. The student is given the opportunity to work on areas of deficiency.
 - (c) Credit recovery and make-up work must be completed by the first day of the first semester and within 15 school days after the beginning of the second semester. The student is ineligible until such time as the work is completed and the required passing grade has been recorded. Exception: If the end-of-course test is not offered before the first day of the first semester or within the 15-school-day window of the second semester, the student may be granted a reasonable extension by the GHSA.
 - (d) The GHSA Executive Director shall be authorized to approve credit recovery or make-up work completed later than the first day of the first semester or subsequent to the 15-school-day window of the second semester if he finds that the:
 - (1) timeframe was not met due to circumstances outside the control of the student, his parent(s), and the school, AND
 - (2) work was completed as soon as reasonably possible, AND
 - (3) allowance for such a delay is offered on the same basis to all students in the school.
 - (e) Credit recovery programs operated during the summer shall be completed by the first day of the first semester. Students using those credits to gain eligibility are ineligible until the course is completed successfully. Credit recovery is used for remedial work only, and no new credit courses may be applied under this provision.
 - (f) Students using credit recovery or make-up programs must have their eligibility submitted to the GHSA office on a "Form C."

1.59 Students with disabilities:

- (a) A student with disabilities who is enrolled in a special education program which is not physically located at the parent school (example: psycho-education center, regional occupation center, community-based instruction class, etc.) shall be eligible to participate, practice, and/or try out in interscholastic activities at the parent school if IEP (Individual Education Program) requirements are met.
- (b) Schools with students having to meet only IEP requirements for course credit must establish an accounting process for the number of courses passed each semester, and for the awarding of units. Requirements for the date of entry into the ninth grade and for age apply to students with IEPs without variation.
- (c) Competitive interscholastic activities administered through local **special education programs** shall follow Georgia Department of Education guidelines and procedures for special education, and are exempt from GHSA requirements.

1.60 - SCHOOL SERVICE AREAS / TRANSFER / MIGRANT STUDENTS / MIGRATORY WAIVER

1.61 School **service areas** for member public schools are those attendance boundaries established by local boards of education from which a school normally draws its students. The service area for a member private school is the public school's attendance zone in which the private school resides. The service area for a startup or converted charter school will be the same as the school from which the charter school draws its students.

1.62 A **transfer student** who has established eligibility at a former school in grades 9-12 shall be **immediately eligible** at the new school if:

- (a) The student moved simultaneously with the entire parental unit and *all other persons he/she lived with at the former residence, and that residential moved into the service area of the new school with simultaneous enrollment of the student in the new school.* This is known as a "**bona fide move.**" (NOTE: A move within the **same** service area does not constitute a bona fide move.)
 - (1) The student may choose the public or private school serving that area.
 - (2) It must be apparent that the parent(s) or the persons residing with the student and the student have relinquished the residence in the former service area and have occupied a residence in the new service area.
 - (3) The following factors, although not conclusive, may be evidence of relinquishment of the former residence: Selling the residence and vacating it; OR vacating the residence and listing it for sale at a fair market value; OR vacating the residence and leasing it to another (other than a relative) at fair market value; OR abandoning the residence and shutting off the unnecessary utilities. NOTE: When a family claims multiple residences, the residence for which they apply for a homestead exemption will be declared the primary residence provided the family spends the majority of their time at this residence.
 - (4) The bona fide move is validated when the student's family maintains the new residence for at least one calendar year. A return to the previous service area within that year renders the student to be a migrant student. All hardship appeal processes are available.
- (b) The student was enrolled in a **private school or a magnet school** and has a bona fide move from one public school service area to another public school service area. A student in this situation may attend either the public school or a private school serving his area of residence.
- (c) The student was enrolled in a **non-member school** in Georgia and, without a bona fide move, transferred to a GHSA member school that serves his area of residence as long as:
 - (1) It is the initial move of the student from a non-member school to a member school serving his area of residence, AND
 - (2) The student was enrolled at the high school serving his area of residence in grades 9-12 before attending the non-member school, OR
 - (3) The student has not yet established eligibility in grades 9-12 at a member school serving his area of residence.
 - (4) A student who transfers from a GHSA member school to an independent school entering the GHSA in the next school year must be enrolled at the entering independent school by January 31 of the year preceding their becoming a GHSA member school in order to be eligible.
NOTE: Rules about joint custody transfers have control over the one-time transfer restriction in this by-law.
 - (5) In compliance with the Dexter Mosley Act, schools must file eligibility for **home study students** using Transfer Eligibility Form "HS" found on the GHSA web site.
- (d) The student transfers from a non-member home school and the receiving school grants credit so that the student has accumulated sufficient units. At the time such credit is given, the student must also have passed a minimum of at least 2.5 units the previous semester. The student becomes eligible when credit is awarded officially.

- (e) The student is involved in a **foreign exchange program** that is approved and published on the “Advisory List of International Educational Travel and Exchange Programs” published by the Council on Standards for International Educational Travel (CSIET). This list is found on the GHSA web site.
- (1) The student shall be considered eligible for a maximum period of one calendar year.
 - (2) The student shall not be a graduate of a secondary school in his home country.
 - (3) The student must maintain eligibility requirements at the member school.
 - (4) The foreign exchange program must randomly assign students to schools by a method that insures that no student, school, or other interested party may influence the assignment for athletic purposes. “Direct Placement” foreign exchange students must go through the hardship appeal process to become eligible.
 - (5) All eligibility forms (Form B) for foreign exchange students must be accompanied by documentation from the CSIET-approved foreign exchange program showing that the student has been placed according to the normal procedures for that agency.
- (f) If one of his/her parents or the custodial parent is a certified teacher or administrator teaching in grades 9-12 at the receiving school. This opportunity is available one time only at any given school. (NOTE: Rules about joint custody transfers overrule the one-time transfer restriction in this by-law.)
- (g) The student has one of the following family related circumstances which shall constitute a waiver of the “bona fide move” rule:
- (1) There is a **Superior Court Final Order** changing permanent physical custody of the student from one parent to the other parent and the student moves to the residence of the parent receiving custody in a new service area and attends the member school serving that service area. Note: All cases involving non-parental custody changes must be appealed through the hardship process.
 - (2) There is a **Superior Court Final Order** awarding permanent joint physical custody to the parents and the student elects to move from the residence of one parent to the residence of the other parent in a new service area and attends the member school serving that area of residence. Provided, however, that such an election can be made only once during a 12-month period beginning the date of the transfer and the Final Order must have specifically awarded the parents “joint physical custody” of the student. An award of “joint legal custody” shall not suffice for purposes of this paragraph.
 - (3) There is a death of the custodial parent with whom the student resided and the student moves to live with the other parent in a new service area and attends the member school serving that area of residence.
 - (4) There is a military transfer of one or both custodial parents that requires a change of residence of the student to a new service area and the student attends the member school serving that area of residence.
- (NOTE: Eligibility forms for transfer eligibility under paragraphs (1), (2) and (3) above must be accompanied by certified copies of applicable Court Orders. Eligibility forms for transfer eligibility under paragraph (4) above must be accompanied by true and correct copies of verifiable deployment orders.)
- (h) Students who are U.S. citizens and who have been enrolled and attended a high school in a foreign country, upon return to the U.S., shall be eligible to participate at a GHSA member school provided the student lives in the new school’s service area and is otherwise eligible under GHSA age, eight-semester, academic and other eligibility rules.
- (i) Students who are transferred from one school attendance area to another school attendance area by a **mandate of the local board of education** maintain their eligibility.
- (j) **Married students** setting up a household (domicile) shall be eligible in the school of their residence provided they meet all other requirements of eligibility.
- (k) Students at the Atlanta School for the Deaf will be eligible at the school serving their area of residence provided they meet all other eligibility requirements.
- (l) The migratory rule (See 1.63) will be waived **one time for boarding students only who enter the following schools:** Ben Franklin Academy; Darlington; Tallulah Falls.
Exception: Students from foreign countries not on an approved foreign exchange program are not eligible.
- (m) Students entering a school as an “unaccompanied youth” under the conditions of the McKinney-Vento Act must go through the hardship appeal process to become eligible.
- (n) If approved by the local board of education, students enrolled in a **magnet or specialty school** shall be allowed to participate in GHSA extracurricular activities as a member of the school team for the school which they would ordinarily attend according to local board of education attendance policy. Provided, however, that:
- (1) If the magnet/specialty school offers the only activity in which the student elects to participate, the student shall be required to participate as a member of the magnet/specialty school program in that activity.
 - (2) Students at magnet/specialty schools may not participate in GHSA extracurricular activities at both the magnet/specialty school and the school that the student would ordinarily attend. Those students

must elect to participate in GHSA extracurricular activities at only one school per school year. For example, students could not play basketball at the magnet school and football at the home school.

- (3) The election of the student to participate in GHSA extracurricular activities for either the magnet/specialty school or the school the student would ordinarily attend shall be binding for the current school year.
- (4) Such students shall be required to comply with all GHSA eligibility and other rules. The member school shall be required to provide to the GHSA a copy of the local board of education approval of such participation.
- (5) The receiving school will submit students on an MT Eligibility Form. This form is available on the GHSA web site (www.ghsa.net).

1.63 Student Eligibility

- (a) A “**migrant student**” is a student who transfers into a GHSA school without a bona fide move or without one of the exceptions listed in by-law 1.62. The student may practice or compete at the sub-varsity level, but may not compete at the varsity level for one calendar year from the date of his entry into the new school. In the event that, after transfer, a student becomes or is later determined to be a migrant student, then the student shall be ineligible to compete at the varsity level for a period of one calendar year from that date.
- (b) If a student has been ruled eligible to participate by the GHSA, but it is later determined that such eligibility should not have been approved, any ineligibility to participate in future GHSA activities may be assessed as of the date that such ineligibility was determined.

1.64 A student who is not eligible at the former school, and then transfers to a new school, cannot regain eligibility by the transfer. Academically ineligible students cannot gain eligibility by being adjudicated to YDC and subsequently returning to their resident school with earned credit. NOTE: The new school may file a hardship appeal if circumstances warrant.

1.65 Students whose transfers from member school to member school have been approved by the GHSA office after the end of regular season play or during post-season play are not eligible for participation in GHSA sponsored tournaments and/or playoffs in that particular sport for the school year of transfer.

1.66 A student who is not eligible at one school because of **suspension or expulsion** and then transfers to a member school cannot regain eligibility by such a transfer, for the length of the suspension or one calendar year, whichever is less.

1.67 A **permissive transfer** is defined as an allowance by a local board of education for students and/or their parents to choose a school to attend without regard to the location of residence.

- (a) A student transferring from member school to member school on a permissive transfer is considered a migrant student.
- (b) A student transferring to or from a school housing a system-wide, singular academic or vocation program or a magnet program on a permissive transfer is considered a migrant student.
 - (1) The offering of an individual course or series of courses by one school in a system does not provide inherent justification to grant GHSA eligibility.
 - (2) Special options offered by a school system that allow students to attend a school outside their area of residence do not provide inherent justification to grant GHSA eligibility.
 - (3) Any such permissive transfer issue may be brought before the GHSA Hardship Committee.
- (c) Students transferring under the provisions of Federal or State academic accountability regulations must be processed through the normal hardship appeals process.
- (d) When a military base is located in two school districts, a student moving onto the base for the first time may choose to attend either school district, and that district will place the student appropriately. Any transfer after the initial placement will be subject to standard eligibility regulations.

1.68 **Hardship Applications** may be filed by an administrator at a member school when a student does not meet the standards of eligibility outlined in by-laws 1.50 (academic issues) and 1.60 (transfer issues).

- (a) The GHSA Constitution (Art. IV; Sec. 5; Subsection B4) specifies that the hardship issues must be beyond the reasonable control of the persons involved.
- (b) The process of appealing a decision of the Hardship Committee is outlined in the GHSA Constitution (Art. IV, Sec. 9, Subsection C & D).
- (c) In order for a hardship appeal based on a financial hardship to be approved, the new school must provide proof that the family attempted to address the financial problem at the previous school, and that the need-based financial aid was non-existent or insufficient to resolve the problem. Increases in tuition or other costs at a private school do not create an automatic reason to grant the appeal, because such fee increases are considered foreseeable and not unavoidable. Documentation of the financial problem is required.

- 1.69 When a new school opens, student eligibility shall be determined as follows:
- (a) When a school district mandates a service area for a new school for all grades enrolled at the new school, all students living within the mandated service area in those grades are immediately eligible. All students living outside the mandated service area who desire to attend the new school are considered migrant students and are ineligible for one year. Hardship appeals may be filed if conditions warrant.
 - (b) When a school district mandates some students to attend the new school, allows some students to stay at their present school, and permits some students to transfer to the new school, the school shall set a deadline for students living in the service area of the new school to decide whether they will move to the new school, or stay at the present school. The decisions exercised at the deadline date are binding. Subsequent changes render the student to be a migrant student with the one-year period of ineligibility. Students who are granted permissive transfers to enroll at the new school from other schools within the system are considered to be migrant students. Hardship appeals may be filed if conditions warrant.

1.70 - RECRUITING/UNDUE INFLUENCE / FOLLOWING THE COACH

- 1.71 **Recruiting and Undue Influence** is defined as the use of influence by any person connected directly or indirectly with a GHSA school to induce a student of any age **to transfer** from one school to another, or **to enter** the ninth grade at a member school for athletic or literary competition purposes, whether or not the school presently attended by the student is a member of the GHSA.
- (a) The use of undue influence to secure OR retain a student for competitive purposes is prohibited, and shall lead to penalties being assessed against **either school**. This violation may cause the student to forfeit eligibility for one year from the date of enrollment, provided however, that such period of ineligibility may be assessed from the date that recruitment/undue influence violation was finally determined to have occurred with regard to the student rather than from the date of enrollment.
 - (b) Evidence of undue influence includes, but is not limited to:
 - (1) personal contact with coaches, boosters, or other school personnel discussing participating in athletics upon a proposed transfer
 - (2) gifts of money, jobs, supplies, clothing, or housing incentives
 - (3) free transportation
 - (4) free admission to contests
 - (5) an invitation to attend practices and/or games
 - (6) a social event (other than an official schoolwide Open House program) specifically geared for prospective athletes
 - (7) free tuition beyond the allowable standards found in by-law 1.82
 - (8) a coach asking a prospective student for contact information
 - (c) Complaints or reports of violations of this rule will be investigated and handled on a case-by-case basis. If **coaches** are found to be in violation of the recruiting rule, a copy of the investigation will be forwarded to the Professional Standards Commission of the Department of Education.
 - (d) A school will be afforded an opportunity to demonstrate it could not reasonably be expected to be responsible for the actions of a booster who is found to have violated the recruiting/undue influence rules.
- 1.72 **Following The Coach:** A student athlete transferring from one school to another, *or entering the ninth grade for the first time*, shall be ruled ineligible for one year if it is proven that:
- (a) The coach of the receiving school coached an out-of-school team or all-star team on which the athlete played prior to the transfer; OR
 - (b) The coach at the receiving school acted as a private athletic instructor for the transferring athlete, regardless of whether the coach was paid for his services and/or expertise; OR
 - (c) The student participated in a sports camp or clinic run by a member school and/or its coach(es).
 - (d) The player who played for a coach at one school (GHSA member or non-member) and subsequently followed that coach when he/she moved to a GHSA school or changed schools within the GHSA membership. (This is not applicable to dependent children of the coach.)
 - (e) The situations cited in this by-law are considered to be violations even if a bona fide move has occurred, and the hardship appeal procedures are available for the demonstration that undue influence has not occurred.
- 1.73 A booster shall be considered to be an extension of the school and must abide by all rules applied to coaches and other school personnel. The following persons or groups may be considered boosters: members of the school's Booster Club; students; alumni; parents; guardians; or relatives of a student or former student; financial donors; donors of time and effort; personal trainers or coaches renting facilities.

1.80 - FINANCIAL AID

- 1.81 Any student who receives financial aid or non-GHSA approved gifts from any source and in any form (scholarships, tuition remission, cash, gifts, etc.) arising out of or **received in connection with their**

participation in any sport or literary event shall be ruled ineligible. The duration of the ineligibility will last as long as the illegal benefits are being received. This prohibition shall not apply to awards under By-Law 1.90 or to other items approved by the GHSA.

- (a) If tuition is charged, it must be paid by a parent, legal guardian, or other family member with the exception of payments coming from need-based financial aid.
- (b) It is not legal for donated funds to be designated for a specific student that are given by non-family members, businesses, churches or other organizations, except for programs specified by state law.
- (c) Schools may not employ students to work off their tuition costs.
- (d) The GHSA Executive Director will determine whether the financial aid or gift arose out of or in connection with participation in any sport or literary event.
- (e) If a school allows a student who has received such financial aid or gifts to participate in competition, the Executive Director shall assess an appropriate penalty.

1.82 Financial aid in the form of free or reduced tuition or other aid must be **need-based aid** as determined by a national student aid service or financial aid based on institutional policies for academic performance (classroom record and/or test scores) that is administered by persons not in the athletic department.

1.83 Member schools who award financial aid shall issue a statement to the Executive Director signed by the principal or headmaster of the school giving the following information:

- (a) number of students enrolled in the school
- (b) number of students receiving financial aid
- (c) names of students (or a listing of student identification numbers) receiving financial aid who are involved in GHSA activities
- (d) certification that the percentage of students who participate in activities and who receive financial aid is the same percentage as the number of students receiving financial aid who do not participate in activities (plus or minus 5%)

1.90 - AMATEUR STATUS/AWARDS

1.91 A student who represents a school in interscholastic athletic competition shall be an **amateur** in that activity.

- (a) An **amateur athlete** is one who engages in athletic competition solely for the physical, mental, social, and pleasure benefits derived therefrom.
- (b) Accepting nominal, standard fees or salary for instructing, supervising, or officiating in an organized youth sports program or recreation, playground or camp activity, shall not jeopardize an athlete's amateur status.
- (c) Reasonable compensation derived from private lessons in a sport is permissible.

1.92 An athlete **forfeits amateur status** in a sport by:

- (a) competing for money or other monetary compensations except for reasonable allowances for travel, meals, and lodging. NOTE: Accepting expense allowances authorized by the United States Olympic Committee for Olympic Development Programs is acceptable for GHSA students.
- (b) receiving any award or prize of monetary value which has not been approved by the GHSA.
- (c) capitalizing on athletic fame by receiving money or gifts with monetary value except college scholarships.
- (d) signing a professional playing contract in any sport, or hiring an agent to manage his/her athletic career.

1.93 Only **awards** approved by the GHSA may be accepted by a high school student-athlete as a result of participation in school or non-school competition in a sport recognized by the GHSA.

1.94 **Symbolic awards** (i.e. non-cash) presented for winning or placing in GHSA competitions are limited to \$400 per year, per student in the aggregate, paid by the local school. These are the only GHSA-approved awards for interscholastic competition. Beyond this, a student may receive one (1) school sweater or jacket presented by the school during his high school career.

1.95 Athletes competing in golf or tennis events are limited to awards as specified in the United States Golf Association Rules of Golf, and the United States Tennis Association Handbook of Tennis Rules and Regulations, which includes (but not limited to) the following:

- (a) No cash awards may be accepted.
- (b) Merchandise awards in tennis may be accepted up to a retail value of \$250.00.
- (c) Merchandise awards in golf may be accepted up to a retail value of \$750.00.

1.96 Players attending national camps or all-star events may keep reasonable benefits for housing, meals and transportation. Players may keep only equipment that is commemorative in nature and/or used in the process of the event's workouts.

BY-LAW 2.00 - SCHOOL

2.10 - SCHOOL MEMBERSHIP TO GEORGIA HIGH SCHOOL ASSOCIATION

- 2.11 **The GHSA is a voluntary association** available to any Georgia high school, grades 9-12, that has been authorized to seek membership by the local board of education or similar governing body of control.
- (a) Member schools agree to **conform to the Constitution and By-Laws of the GHSA.**
 - (b) Member schools agree to **conform to the rules of the region** organizations to which they are assigned.
 - (c) Should a conflict arise between state rules and region rules, the **state rules always take precedent.**

2.12 **Procedure for Membership:**

- (a) The local board of education or similar governing body of control must adopt a **resolution authorizing membership** for the high school.
- (b) Membership is continued through the original resolution as long as the school is in good standing with the GHSA.
- (c) April 1 preceding the reclassification alignment process is the deadline date for new and existing private schools to join the GHSA for the next reclassification period. Newly established public schools will have a deadline date of April 1 to join the GHSA for the upcoming school year. No private school with an actual numerical enrollment of less than 150 students in grades 9-12 will be admitted to the GHSA.
- (d) Converted charter schools whose attendance zones and eligibility requirements do not change retain their membership in the GHSA. Converted charter schools or startup charter schools must apply for membership in the GHSA.

2.13 **Dues for Membership:**

- (a) The amount of the dues is **set annually** by the Executive Committee of the GHSA, and includes a portion of the cost of **catastrophic insurance.**
 - (1) Dues must be paid prior to October 15 of each year.
 - (2) Schools failing to meet the dues-payment deadline are not eligible to participate in any contest until membership dues are paid.
- (b) Dues are prorated according to the school's classification.
NOTE: Schools with a total enrollment of less than 50 students are assessed their insurance fees according to the actual number of participants.
- (c) The Dues schedule is as follows:

CLASSIFICATION	PAID BY OCTOBER 15	PAID AFTER OCTOBER 15
7A	\$1,115.00	\$1,215.00
6A	\$990.00	\$1,090.00
5A	\$865.00	\$965.00
4A	\$740.00	\$840.00
3A	\$615.00	\$715.00
2A	\$490.00	\$590.00
A	\$365.00	\$465.00

- 2.14 If a school or school system initiates litigation against the association and the court rules in favor of the association, the school or school system shall be responsible for paying all court costs and attorneys' fees.
- 2.15 If the association conducts an investigation of a member school in reference to a possible violation of association rules and the member school is found to be in violation, the school shall be assessed the cost of the investigation in addition to any fines.
- 2.16 **Playing a Non-Region Schedule:** A school may choose to play a non-region schedule in football, fastpitch softball, basketball, and/or baseball, and this choice is in effect for the current reclassification cycle.
- (a) A school playing a non-region schedule may not participate in post-season competition.
 - (b) Results of games with a school playing a non-region schedule may not be used in region standings.
 - (c) Schools playing a non-region schedule in football, fastpitch softball, basketball and/or baseball must inform the GHSA office not less than 30 days prior to the first official playing date for that sport.
- 2.17 **Region and Area Divisions:** A classification in any sport will be considered Regionalized when a majority of the schools (with a minimum of 5) in all regions participate in that sport. In sports where all classifications are not regionalized, the classes may be divided into Area alignments, and two or more classifications, or any portions thereof, may be combined at the discretion of the Executive Director. NOTE: Regions formed by the Reclassification Committee that consist of fewer than five (5) teams may be exempted from this rule.

2.20 - ADMINISTRATIVE RESPONSIBILITIES

- 2.21 The administrative head of each school shall have on file in the school office:
- (a) a certificate of an **annual physical examination** given by a licensed medical physician, a doctor of Osteopathic medicine, nurse practitioner or a physician's assistant indicating the student is approved for participation in athletic activities before that student may try-out, participate in practice, conditioning drills or summer activities, or participate in interscholastic contests (see By-Law 1.41).
 - (b) a written **Emergency Action Plan** for athletic practices and games. This plan must include responses to natural disasters, serious illnesses/injuries, and terroristic events, and must have the involvement of local law enforcement agencies, rescue agencies, medical doctors and hospital personnel.
 - (c) The **Emergency Action Plan** (EAP) should include the following:
 - (1) The venue-specific EAP should be reviewed and rehearsed annually prior to each sport season. Recommended personnel include local Emergency Medical Services (EMS), school public safety officials, school administrators, on-site medical personnel or school medical staff (team physicians or athletic trainers) and all pertinent coaching staff members.
 - (2) The venue-specific EAP and AED should be accessible to all involved in a potential emergent situation for practices, games or other athletic events.
 - (3) All emergency equipment which is available onsite, including Automatic External Defibrillators (AEDs), should be listed on the EAP, stored in a safe place, be well-marked and publicized.
 - (4) The EAP should identify key personnel and their responsibilities to carry out the plan of action with a designated chain of command, including documentation actions that need to be taken post emergency.
 - (5) The EAP should contain appropriate contact information for the local and/or responding EMS personnel.
 - (6) The EAP should contain the facility address, GPS coordinates, location and contact information.
 - (7) A medical timeout is recommended prior to all GHSA sanctioned events to review the EAP.
- 2.22 The administrative head of each school shall **operate** all interscholastic **contests and activities** under direct and complete control of the school administration or designated school personnel. These responsibilities are not to be delegated by the board of education, superintendent, or principal to any person or persons who are not a part of the school's professional staff.
- 2.23 The administrative head of each school is expected to be a person who believes in fairness and honesty as evidenced by the **strict adherence to all rules** and regulations in regards to eligibility of contestants representing his/her school.
- 2.24 The administrative head of each school is expected to employ those persons who exemplify fairness and honesty. Any certificated person who violates rules in regard to student eligibility, or illegal practices, or knowingly misleads a member school and/or the GHSA will have a report of that behavior sent to the Professional Standards Commission.
- 2.25 The administrative head of each school may submit to the GHSA Executive Committee such **recommendations for the improvement of the GHSA** as he/she may deem necessary.
- (a) These recommendations must be submitted to the GHSA Office at least thirty (30) calendar days prior to the meeting of the Executive Committee.
 - (b) A proposal brought to the Executive Committee that is denied by either a subcommittee or the full Executive Committee may not be submitted for three (3) regularly-scheduled meetings after the previous submission unless a substantive change has been made to the proposal.
- 2.26 The member institution has a responsibility to educate student-athletes, coaches, and other appropriate persons on GHSA rules and procedures that could affect them. Further, the member school should monitor its compliance with State Association guidelines.
- 2.27 Member schools that fail to follow stated procedures and deadlines may be assessed a fine for each violation.
- 2.28 Schools that need to cancel appointments scheduled with the Hardship Committee or the Appeals Board must do so at least 24 hours before the appointment. Failure to cancel properly will result in a fine.
- 2.29 Member schools are expected to fulfill their responsibilities for a sports season once they have committed to play that sport.
- (a) If a school commits to play a sport at the region meeting that precedes the sport, or on March 1 for Area sports, and then drops out of competition before or during the season, the school will have to play a non-region schedule in that sport the next year.
 - (b) If a school enters the competitive structure that qualifies it to advance in postseason competition, that school is expected to advance if it qualifies. Schools that drop out of competition after qualifying may be penalized with fines or probation.
 - (c) Appeals for emergency circumstances may be filed with the Executive Director.

2.30 - ELIGIBILITY REPORTS FILED BY THE SCHOOL

- 2.31 **Eligibility reports** are required for all contestants prior to the calendar date for the first possible practice in any GHSA activity. (EXCEPTION: Eligibility reports for Literary, One-Act Play and Rifflery competitions are due twenty (20) calendar days before the first contest.)
- Students are not allowed to participate in academic, athletic or literary competitions until their eligibility reports have been received and processed by the GHSA Office.
 - Failure to meet the eligibility deadline may lead the GHSA Executive Director to:
 - Assess a fine to the school that is delinquent.
 - Suspend the membership of a school that does not file eligibility reports.
 - Reports not filed properly will be returned to the school for resubmission.
- 2.32 Schools **playing interscholastic contests before filing an eligibility report** on one or more participating students may be subject to one or more of the following penalties imposed by the GHSA Executive Director:
- a fine per game or contest in which one or more participants had no eligibility report filed;
 - forfeiture of any game in which one or more participants did not have eligibility report filed;
 - restriction from competition in any sport if the fines assessed are not paid within fourteen (14) calendar days of notification.
- 2.33 **Supplementary eligibility reports** may be submitted at any time on transfer students, students coming out for the team after the initial report, and/or those students who gain eligibility at the beginning of a semester.
- 2.34 Once a student has been certified eligible by the school and has been processed by the GHSA, **eligibility is assumed to be continuing**, and no further eligibility report is necessary for that student during the school year unless situations occur that render the student ineligible.
- 2.35 If a student **loses eligibility and regains** it during the school year, a new eligibility report should be filed for that student.
- 2.36 **Changes of Eligibility Records:** When a school discovers that incorrect information has been given on an eligibility report, the school should contact the GHSA office for procedural instructions.
- 2.37 Requests to investigate a student's eligibility in regard to the transfer rule must be filed with the GHSA office at least twenty (20) calendar days before the end of the regular season in order for any penalties to be applied before the end of the playoffs.

2.40 - STUDENT RETENTION FOR INTERSCHOLASTIC ATHLETIC ACTIVITIES

- 2.41 Member schools shall prohibit participation in interscholastic activities by any student who was **retained in the eighth grade for competitive purposes**. The governing body of each school system shall develop a written policy showing that the system does not allow retention for competitive purposes.

2.50 - QUALIFICATIONS TO COACH

- 2.51 An athletic head coach must be a professional teacher, or hold a four-year degree while also employed in a teaching or administrative position, **meeting the teaching requirements and be employed** by only one board of education or similar governing authority within the GHSA membership, regardless of whether or not they are paid for their coaching (Exception: when all boards of education or similar governing authorities and all principals/headmasters involved sign a consent form on an annual basis he/she may coach at another school system), AND:
- be employed for 20 or more hours per week on a regular basis in a professional, contracted position and must hold a **teaching certificate or leadership certificate** issued by the State of Georgia, OR
 - be employed for 20 or more hours per week on a regular basis as a **JROTC instructor** in the school's JROTC program, OR
 - be assigned as a **student intern** in a practice teaching situation under the guidance of a college or university teacher training program, OR
 - be a **retired teacher** teaching or supervising (NOTE: coaching meets the supervising requirement of this by-law) less than one-half time (forty hours considered full time), OR
 - be a certified teacher or administrator at a member school on medical leave governed by the "Family Medical Leave Act" and/or the "Georgia Teacher Maternity Leave of Absence" policy (see the GHSA web site for the required form).
 - If a currently certified faculty-coach at a member school loses his/her teaching position because of a reduction in force action, that school may petition the Executive Director in writing for that individual to continue to coach without going through the community coach training.

- (g) A teacher at a non-member school who is hired to be a coach at a member school **must** complete the GHSA Community Coach Education program and may **not** be a head coach. A consent form between the two schools must be completed annually.
- (h) If a school is in a charter or strategic waiver (IE²) system, the coach (head coach or assistant) must meet the highly qualified requirements outlined in the Georgia Professional Standards Commission's guidelines.
- 2.52 Member schools may employ persons who are not professionally certificated teachers as assistant coaches in their athletic programs. These individuals are referred to as "**community coaches.**"
- (a) Community Coach is defined as a person who does not have a professional-level certification, who relates in role and function to a professional and does a portion of the professional's job or tasks under the supervision of the professional, and whose decision-making authority is limited and regulated by the professional. Community coaches are not allowed to function without the immediate supervision of an educational professional and may not assume any of the duties of a varsity Head Coach or be named by the school as a varsity Head Coach.
- (b) Licensed para-professionals and full-time substitute teachers must complete the GHSA Coaches Education Program and testing program to be eligible to coach.
- (c) All community coaches should be signed to a written "agreement to coach."
- (1) They may coach for only one board of education annually, regardless of whether or not they are paid for their services.
- (2) Community coaches may not coach the same sport at more than one school even if there are multiple schools in the system.
- (d) All community coaches must complete the **GHSA Coaches Education Training and Testing Program** in "Sport First Aid" and "Principles for Coaches."
- (1) Prospective coaches must be subject to a criminal background check before they are registered for the GHSA coaches education program.
- (2) Courses are offered at various times each school year throughout the state.
- (3) Prospective coaches are registered with the GHSA office by the school hiring them.
- (4) No community coach may do any GHSA coaching until he/she has been notified that the GHSA Coaches Education Program had been completed successfully.
- (e) It is recommended that the following **priority for employment** be used:
- (1) certified employees in the local system (secondary, middle, elementary, central office, etc.);
- (2) retired certificated personnel;
- (3) community coaches who have completed the GHSA Coaches Education Program.
- (f) All community coaches must attend a regular GHSA rules clinic each year for any sport in which they coach beginning with their first year of service or the school will be fined.
- (g) No person who has coached a non-GHSA team in a sport or activity within the previous 12 months may be hired or utilized by a GHSA member school in that same sport or activity IF any of that GHSA school's players participated on the non-GHSA team that person coached.
- 2.53 GHSA member schools must **register** all coaches in **all** GHSA governed activities according to the following:
- (a) An initial directory listing of administrators and coaches must be completed and filed with the State Office by August 1 of each year. Only professionally certificated personnel, or individuals holding a four-year degree who are employed in a teaching or administrative position, are to be included on the initial directory listings.
- (b) **Qualified** Community Coaches are to be reported on the "School Staff Roster" on the GHSA web site. Only those persons who have successfully completed the **GHSA Coaches Education Program** are to be listed. NOTE: Schools must verify the successful completion of the coaches education program BEFORE community coaches are submitted to the GHSA and BEFORE any coaching activities are allowed (forms on the GHSA web site).
- (c) After August 1, schools will have occasion to add members to their coaching staff. It is the responsibility of the member school to register these additions in a timely manner, using the School Staff Roster on the GHSA web site.
- (d) Failure to comply with these procedures could result in punitive actions including, but not limited to, fines, forfeitures and other penalties assessed to the member school.
- 2.54 **Every faculty coach, community coach, or student-teaching intern at a member school must complete:**
- (a) **a GHSA-sponsored rules clinic** if he/she coaches the following sports or activities: cross country, football, softball, volleyball, riflery, literary, one act play, cheerleading (spirit and/or competitive), basketball, lacrosse, wrestling, swimming and diving, track, baseball, golf, soccer and gymnastics.
- (b) **CPR (minimum compression only) and AED training** prior to any team activity or within a maximum of 30 days from the start of a team activity and it must be renewed at a minimum of every two years.
- (c) a free, online course on **concussion management** prepared by the NFHS and available at www.nfhslearn.com at least every two years.
- NOTE:** A fine for each coach who does not complete a rules clinic, or who does not complete the required CPR, AED or concussion management training, before the assigned deadline will be assessed to the school.

- 2.55 A **coach** on the payroll of one school district, but under contract to another school district for the following year, may help with **spring practice** at the new school if arrangements are satisfactory with both systems.
- 2.56 *An assistant or head coach at a GHSA member school may register and officiate a sport in which they coach with the following provisions:*
- They may officiate a sub-varsity contest at any GHSA member school.*
 - They may officiate at the varsity and/or post-season level, if the game does not involve schools in the same classification as the school at which they coach.*

2.60 - INTERSCHOLASTIC CONTESTS AND PRACTICES

- 2.61 All **practices** (team and individual) and all **regular-season interscholastic contests** for GHSA-member schools shall be **conducted outside the school day of the participants' school**.
- Regional, Sectional, and/or State **playoffs are exempt** from this rule.
 - The "**school day**" is **defined** as: that period of time between when students are required to report to school and the time of dismissal of that school. **EXCEPTION:** When the host school is not in session on a given day, competitions may be scheduled earlier than normal dismissal time for the host school. However, any school that is in session on that day may not compete in that event before the normal dismissal time of that school.
 - A player who participates in a GHSA sport may not participate in practices that occur during the school day. Practice is defined as any activity that is school-initiated, organized, coordinated or supported.
 - All practices will have a maximum length of 3 hours.
 - A maximum of two (2) practice sessions may be held in the same day. When multiple sessions are held, the maximum practice time is extended to five (5) hours. Sessions must be separated by a three (3) hour rest break in a cool environment and this rest break cannot include weightlifting or conditioning. When a double session practice day occurs, the following practice day must be a single session day. (Football contact guidelines must be followed)
 - Football participants complete the five (5) day acclimatization period that starts five (5) weekdays prior to the first official day of practice of each calendar year.
- 2.62 The GHSA shall provide **rules and regulations for competition** among member schools for those competitive activities listed in the GHSA Constitution and By-Laws.
- Member schools may be allowed to schedule and play **GISA** and **GAPPS (formerly GICAA)** member schools provided the principal or athletic director of each agrees in writing, utilizing the standard "GHSA Cross-Play Contract," available on the GHSA web site (www.ghsa.net).
 - GISA and GAPPS schools competing with GHSA schools must comply with all GHSA safety rules and requirements, and must be in compliance with Official Code of Georgia Sections 20-2-319.2 relating to pre-participation physical exams and 20-2-324.1 relating to concussion management protocols.
 - Participants must be in compliance with all eligibility rules of their respective associations with the exception that only those participants in grades 9-12 shall be allowed to participate.
 - Such competition shall not be counted nor the results considered toward GHSA post-season competition.
 - In situations not covered by section (a), member schools shall **compete, practice or scrimmage only against other member schools** or against schools that are full members of the State Association in their respective states (NOTE: Football games may be scheduled only if the opponent is a full member, without restrictions, of its state athletic association). When competing internationally, member schools may compete only against school teams in that nation that are composed of students of similar ages. International exhibition competitions or scrimmages are not allowed. NOTE: When member schools compete out of state, the host state's adaptations of NFHS playing rules will be enforced, and all GHSA by-laws regarding sportsmanship, eligibility and game times will be enforced.
 - Member schools are **permitted to compete against non-member schools** in activities not listed in the GHSA Constitution and By-Laws.
 - The GHSA Executive Director has the authority to approve competition between GHSA schools and **private schools from states in which membership in the State Association is not allowed**. These non-member schools must meet or exceed the State Association standards in order to compete with GHSA schools.
 - A member school shall have no more than one varsity, one junior varsity, and one 9th grade team.
 - Any **sub-varsity team** is limited to a maximum number of games equal to 70% of the varsity allotment in that sport. **EXCEPTION:** New schools that have only 9th and 10 grades with JV teams only (no varsity) are allowed to play the number of games allowed for varsity teams.
 - Competition between sub-varsity and varsity teams and/or individuals** at the same event is prohibited. An exception may be made by the Executive Director for schools just opening and for schools just starting a particular sport.
 - In the sports of Cross Country, Golf, Swimming, Tennis, Track & Field and Wrestling, a school may use a "**split squad**" at two regular season events on the same day at the varsity or sub-varsity levels.

Both of the contests must be counted against the total number of contests allowed in that sport (Exception: Golf – see Golf section). Individual players may not exceed the total number of contests allowed at the varsity level of that sport.

- (4) **Unattached Competitor:** Individual athletes may participate in non-GHSA events in the sports of Cross Country, Golf, Gymnastics, Riflery, Swimming, Tennis, Track and Wrestling as long as they do not represent their school, do not wear the school uniform, and are not coached at the event, or transported to the event, by their high school coach. “House teams” made up of athletes from various schools competing in a GHSA event are not considered to be unattached competitors and are illegal.
 - (5) No athlete will be allowed to compete in a GHSA game or contest (even in post-season play) unless accompanied by certified professional school personnel whose names have been submitted to the GHSA as coaches. Those students chaperoned by someone other than a certified professional will **not** be allowed to compete.
 - (6) In any GHSA sport, there may be no “**open**” competitions or exhibition performances that extend participation beyond the three levels of competition (i.e., varsity, JV, 9th grade) mandated in this by-law. The only interscholastic contests in which results are disregarded are scrimmages as defined below.
 - (7) **Drones** shall not be permitted to fly during any GHSA sanctioned contest. Note: This prohibition begins when the gates or doors open and extends until the last spectator has left the field or arena.
 - (8) **Live Animals** are prohibited at any indoor GHSA event unless a signed permission letter is acquired from the principal of the school wishing to bring the animal and the principal of the host school (if different). A copy of this letter must be provided to the GHSA office. NOTE: This by-law does not pertain to certified service animals.
- (f) One **interscholastic scrimmage** (two teams meeting head-to-head) is allowed in the sports of Baseball, Basketball, Football, Lacrosse, Soccer, Softball, Volleyball and Wrestling (tri match allowed on days preceding school or quad match on days not preceding a school day).
- (1) This scrimmage may be scheduled anytime between the beginning of practice as set by the GHSA and the first regular season game for each team.
 - (2) This scrimmage is for varsity teams only, and shall be played with normal timing and/or scoring rules except as noted in individual sports sections.
 - (3) Officials registered with GHSA must be assigned, and the GHSA “Fee Chart” must be followed.
 - (4) A school may not scrimmage another school that is counting the scrimmage as a regular-season contest.

2.63 **Written contracts are required** for all baseball, football, basketball, wrestling and fastpitch softball contests, and are strongly **recommended** in all other interscholastic contests that are scheduled between member schools.

- (a) Contract forms can be found on the GHSA web site.
- (b) Contracts are also recommended for all sub-varsity contests.
- (c) GHSA-member schools are expected to fulfill the conditions of any game contract that has been properly executed.
 - (1) Exceptions to the contract may be made with the agreement and consent of both schools.
 - (2) Member schools that fail to fulfill the requirements of a scheduled event may be required to make **restitution** to the competing school if that school is unable to secure an opponent (This includes multi-school events). The offended school shall petition the Executive Director for the desired restitution.
 - (3) Schools failing to fulfill a game contract may be **suspended** in that sport for one (1) full calendar year or the corresponding date of the next calendar year, whichever is greater.
 - (4) **EXCEPTION:** The GHSA Executive Director may excuse the failure to fulfill a game contract if, in his opinion, the circumstances causing the failure were outside the control of the school officials.
- (d) All athletic events hosted by GHSA-member schools (except Cross Country, Golf, Riflery, Tennis and Track) shall be officiated at all levels of competition by **officials** who are members of associations that are approved by the GHSA. (Exception: situation noted in By-Law 2.95).
 - (1) Officials’ associations and their assigned schools shall include the method of payment in their contract.
 - (2) It is recommended that the same number of officials be used in regular-season competitions as the number used in playoff competitions in that sport.
- (e) **Forfeiture and Restitution Policy**
 - (1) If a team does not arrive at the game site for any contest without notifying the host opponent of a late arrival, that contest will be forfeited 30 minutes after the scheduled game-time. If the second game or contest was to be played by a different team (EXAMPLE: girl/boy or JV/varsity combination events), then a decision to forfeit that game will be made 30 minutes after the scheduled beginning of the second game.
 - (2) If there are to be multiple games by the same team and the team does not arrive at the game site without notifying the host opponent of a late arrival, all games will be forfeited 30 minutes after the scheduled game-time of the first contest. EXAMPLE: softball or baseball doubleheaders

- (3) If a school fails to show up for a game or cancels a game within twenty-four (24) hours of the scheduled starting time without an emergency condition or weather-related conditions, that school shall pay a forfeiture fee to the host school equivalent to the cost of the officials. NOTE: If the host school is the violating team, the fee will be paid directly to the officials association. The host school shall reimburse the visiting team(s) for mileage incurred by the visiting team(s) when this by-law is violated by the host team).
- (4) If a school fails to show up for a game or cancels within twenty-four (24) hours of the scheduled game time without emergency reasons or weather-related reasons for a second time, that school must make restitution again and must show cause to the GHSA Executive Director as to why they should not be placed on probation by the GHSA.
- (f) The minimum penalty for allowing an ineligible athlete to participate in an interscholastic contest is forfeiture of the game(s). Fines or other penalties may also be imposed. NOTE: If it is determined by the Executive Director that the school has exercised every reasonable precaution and has been deceived regarding the student's data, any or all penalties may be set aside.
- (g) A team shall forfeit any team standing or points toward team honors when an ineligible student participates in a contest. In sports where individual titles may be won (Cross Country, Literary, Riflery, Swimming & Diving, Traditional Wrestling, Gymnastics, Golf and Track), eligible individuals will keep their placements and opportunities to advance toward individual honors even if a teammate participated while ineligible.

2.64 **Tournaments or multiple-meets**, other than the Region or State elimination series must be approved (**sanctioned**) by the GHSA Executive Director, subject to the special conditions for athletics and/or other activities.

- (a) A GHSA-member school shall not enter a tournament which requires sanctioning until that tournament has been **approved by the GHSA Executive Director**.
 - (1) The GHSA Executive Director may assess a fine and/or other penalties against a member school that violates the sanctioning rules.
 - (2) Member state championship teams receiving an invitation to nationally-recognized tournaments held after the designated sports season has ended must apply to the Executive Director for approval. Such application must be signed by the principal of the school, must be submitted at least 14 calendar days prior to the beginning of the tournament and must include the following: contact information for the tournament organizer; proposed plans for the school to include manner and date of travel; number of hours of instruction to be missed and fees to participate. A decision not to approve may be appealed to the GHSA Board of Trustees, who shall review the information submitted to the Executive Director. No additional information or documentation shall be considered. The vote of the majority of the Trustees shall control.
 - (3) **Tournament participation limits** are set for each sport, and they are listed in the specific sport sections in this document.
- (b) All **applications for sanctioning** must be submitted to the GHSA thirty calendar (30) days prior to the tournament by a GHSA-member school.
NOTE: Tournaments that require National Federation sanctioning are an exception to this rule.
- (c) The host school for all sanctioned tournaments shall **pay five percent (5%)** of all gross gate receipts **to the GHSA** within fourteen (14) calendar days after the tournament.
 - (1) Total gate receipts before expenses are paid equals the gross receipts.
 - (2) A financial report of the event shall accompany the payment.
- (d) GHSA approval for **tournaments in contiguous states** is needed when there are four or more schools participating.
- (e) Approval for **tournaments in Georgia** is needed when:
 - (1) it is a tournament involving four or more schools OR
 - (2) it is a tournament in which awards are given.
- (f) Tournaments that require **approval from the National Federation** are:
 - (1) any interstate tournament in which more than eight schools participate, and at least one participant is from a non-contiguous state OR
 - (2) any interstate tournament that involves schools from five (5) or more state High School Associations, and at least one of them does not border on the State of the sponsoring school OR
 - (3) any international tournament (except competition with Canadian and Mexican high schools) OR
 - (4) any interstate tournament involving two (2) or more schools which is co-sponsored by or titled in the name of an organization outside the high school community (e.g., a university, a theme park, an athletic company).
- (g) The GHSA Executive Director has the authority to approve competition between GHSA schools and **private schools from states in which membership in the State Association is not allowed**. These non-member schools must meet or exceed the State Association standards in order to compete with GHSA schools.
- (h) In all sports except Football, a team (subvarsity or varsity) may play multiple games on a single calendar day in a tournament setting. NOTE: In these instances, the special "quarter/half participation rules" in basketball and soccer are waived. When playing multiple games in a single day in Basketball, Soccer and Lacrosse, there must be at least a four (4) hour scheduling interval between games.

- (i) For any one-day event in which more than two schools compete (i.e., a basketball showcase or some similar event), the following stipulations are in effect:
 - (1) A “host school” must be designated for each game even if the games are played at neutral sites.
 - (2) The host school must provide a Game Manager for that game.
 - (3) The host school must schedule game officials through the local association assigned to it.
 - (4) These special events will require sanctioning approval from the GHSA office.

2.65 Available Seating: Member schools shall provide a seat for each ticket sold to any contest regulated by the GHSA.

- (a) An available seat is defined as twenty-four (24) inches in width.
- (b) Each school is required to make a determination of the available seats prior to the beginning of the contest.
- (c) At outdoor events, “standing room” tickets may be sold as long as they are identified as such at the time of the purchase, and as long as there are no problems with safety and security with such an arrangement.

2.66 Weekday Contests:

- (a) Teams playing any regular season contest when there are classes the next day shall be limited to a travel distance of no more than 100 miles one way as determined using the maps program at www.Yahoo.com.
- (b) No contest shall be played beyond 11:30 p.m., unless exempted under By-Law 2.93 (c2b) or by procedures found in sections of the by-laws dealing with specific sports. A petition may be filed with the Executive Director to waive the 11:30 p.m., curfew for teams of different classifications or competitions with out-of-state teams when there are special circumstances.

2.67 Practice Policy for Heat and Humidity:

- (a) Schools must follow the statewide policy for conducting practices and voluntary conditioning workouts (this policy is year-round, including during the summer) in all sports during times of extremely high heat and/or humidity that will be signed by each head coach at the beginning of each season and distributed to all players and their parents or guardians. The policy shall follow modified guidelines of the American College of Sports Medicine in regard to:
 - (1) The scheduling of practices at various heat/humidity levels.
 - (2) The ratio of workout time to time allotted for rest and hydration at various heat/humidity levels.
 - (3) The heat/humidity levels that will result in practice being terminated.
- (b) **Football Only:** Acclimatization and Re-Acclimatization (prior to October 1st)
 - (1) Acclimatization
 - a. Football practice may begin five consecutive weekdays prior to the start date for football.
 - 1. In the first five days of practice for any student, the practice may not last longer than two (2) hours, and the student may wear no other protective football equipment except helmet and mouthpieces. NOTE:
 - (a) The time for a session shall be measured from the time the players report to the practice or workout area until they leave that area.
 - (b) During acclimatization practices, teams may hold a walk-through as long as there is at least a three-hour break between the two activities.
 - (2) Re-Acclimatization – Required for any athlete who misses five (5) consecutive days of practice for any reason.
 - a. Day 1 (Only COVID related quarantine can begin on last day of quarantine): 1.5 hours conditioning - helmets only
 - b. Day 2: 2 hours practice - helmets only
 - c. Day 3: 2.5 hours practice with helmets and shoulder pads
 - d. Day 4: 2.5 hours practice with full pads
 - e. Day 5: 2.5 hours practice with full pads or play a game
- (c) A scientifically-approved instrument that measures the Wet Bulb Globe Temperature must be utilized at each practice (prior to October 1) to ensure that the written policy is being followed properly. WBGT readings should be taken at a minimum of every 30 minutes, beginning 30 minutes prior to the start of practice. All WBGT monitors shall be calibrated, at a minimum, every two (2) years or earlier if recommended by the manufacturer.

WBGT ACTIVITY GUIDELINES AND REST BREAK GUIDELINES

Under 82.0 Normal Activities - Provide at least three separate rest breaks each hour with a minimum duration of 3 minutes each during the workout.

82.0 - 86.9 Use discretion for intense or prolonged exercise; watch at-risk players carefully. Provide at least three separate rest breaks each hour with a minimum duration of 4 minutes each.

- 87.0 - 89.9 Maximum practice time is 2 hours. For Football: players are restricted to helmet, shoulder pads, and shorts during practice, and all protective equipment must be removed during conditioning activities. If the WBGT rises to this level **during** practice, players may continue to work out wearing football pants without changing to shorts. For All Sports: Provide at least four separate rest breaks each hour with a minimum duration of 4 minutes each.
- 90.0 - 92.0 Maximum practice time is 1 hour. For Football: no protective equipment may be worn during practice, and there may be no conditioning activities. For All Sports: There must be 20 minutes of rest breaks distributed throughout the hour of practice.
- Over 92.0 No outdoor workouts. Delay practice until a cooler WBGT level is reached.

- (d) Practices are defined as: the period of time that a participant engages in a coach-supervised, school-approved sport or conditioning-related activity. Practices are timed from the time the players report to the practice or workout area until players leave that area. If a practice is interrupted for a weather-related reason, the "clock" on that practice will stop and will begin again when the practice resumes.
- (e) Conditioning activities include such things as weight training, wind-sprints, timed runs for distance, etc., and may be a part of the practice time or included in "voluntary workouts." Conditioning activities are not permitted to be used as punishment.
- (f) A walk-through is not a part of the practice time regulation, and may last no longer than one hour. This activity may not include conditioning activities or contact drills. No protective equipment may be worn during a walk-through, and no full-speed drills may be held.
- (g) Rest breaks may not be combined with any other type of activity and players must be given unlimited access to hydration. These breaks must be held in a "cool zone" where players are out of direct sunlight.
- (h) When the WBGT reading is over 86, ice towels and spray bottles filled with ice water should be available at the "cool zone" to aid the cooling process AND cold immersion tubs must be available for the benefit of any player showing early signs of heat illness. In the event of a serious EHI, the principle of "Cool First, Transport Second" should be utilized and implemented by the first medical provider onsite until cooling is completed (core temperature of 103 or less).

2.68 **GHSAA Concussion Policy and SB 60, Sudden Cardiac Arrest Prevention Act**

- (a) **GHSAA Concussion Policy**: In accordance with Georgia law and national playing rules published by the NFHS, any athlete who exhibits signs, symptoms or behaviors consistent with a concussion shall be immediately removed from the practice or contest and shall not return to play until an appropriate health care professional has determined that no concussion has occurred. (NOTE: An appropriate health care professional may include: licensed physician (MD/DO) or another licensed individual under the supervision of a licensed physician, such as a nurse practitioner, physician's assistant, or certified athletic trainer who has received training in concussion evaluation and management).
- (1) No athlete is allowed to return to a game or practice on the same day that a concussion (1) has been diagnosed OR (2) cannot be ruled out.
 - (2) Any athlete diagnosed with a concussion shall be cleared medically by an appropriate health care professional prior to resuming participation in any future practice or contest. The formulation of a gradual return to play protocol shall be a part of the medical clearance.
 - (3) Any athlete who has been diagnosed with a concussion must fully return to school (if in session) for a full day prior to returning to practice.
 - (4) Each school will be responsible for monitoring the participation of its coaches in the concussion management course, and shall keep a record of those who participate.
 - (5) Each school must distribute to every athlete and his/her parent/guardian an information sheet that includes: the dangers of concussion injuries, the signs/symptoms of concussion, and the concussion management protocol outlined in this by-law. This sheet must be signed by the parent/guardian of each athlete and a copy kept on file at the school.
- (b) **SB 60, Jeremy Nelson and Nick Blakely Sudden Cardiac Arrest Prevention Act**: In accordance with Georgia law:
- (1) Each school must distribute to every athlete and his/her parent/guardian an information sheet that includes: the Early Warning Signs, How to Recognize Sudden Cardiac Arrest, and Learn Hands-Only CPR outlined in this by-law. This sheet must be signed by the parent/guardian of each athlete, each athlete and a copy kept on file at the school.
 - (2) Each school must hold an informational meeting twice per year regarding the symptoms and warning signs of sudden cardiac arrest. At such informational meeting, an information sheet on sudden cardiac arrest symptoms and warning signs shall be provided to each student's parent or guardian. In addition to students, parents or guardians, coaches, and other school officials, such informational meetings may include physicians, pediatric cardiologists, and athletic trainers.

- 2.69 **Legal practice dates** are established for each activity (see the calendar at the beginning of this publication), and schools shall not conduct or allow an **illegal practice**.
- (a) The **beginning of each GHSA school year** is designated as August 1st. The **end of the GHSA school year** is designated as when an individual school ends its classes in the Spring.
 - (b) **Illegal practices** are **defined** as practices involving five or more students participating in any extracurricular activity in the presence of, or under the direct or indirect supervision of any coach of the school (including a community coach). **At any given point in time**, only one (1) coach in a sport may work with up to four (4) athletes in skill-building drills.
 - (1) Any practice occurring after the beginning of the school year and **before the opening of the designated season** is an illegal practice.
 - (2) Any practice occurring **after the end of the season** for that team and before the end of the school year for students in that school is an illegal practice.
 - (3) **During the summer** (i.e., between the ending of one school year and the beginning of the next) the only restrictions on practices and competition are that all activities must be strictly voluntary, and two (2) **“Dead Weeks”** must be observed, as follows: Schools are prohibited from participating in voluntary workouts, camps and/or clinics, weight training or competitions during the week (Monday through Sunday) beginning with Memorial Day in May, AND the week (Monday through Sunday) in which the Fourth of July falls each year.
 - (4) It is illegal for a team to go to a competitive or instructional camp or clinic during the school year.
 - (a) If the event is held out of season, it would constitute an illegal practice.
 - (b) If the event is held in-season, it would involve illegal coaching.
 - (c) Boys and girls teams in the same sport are considered the same activity.
 - (d) This prohibition does not apply to the summer months.
 - (5) Neither coaches, former coaches (including community coaches), nor any other school personnel shall suggest, require, or otherwise **attempt to influence students** to participate in or practice for a sport outside the GHSA-designated season. (NOTE: This would prohibit requiring any student to participate in one sport in order to be allowed to try-out and/or play another sport at his school).
 - (6) The following activities are **examples of illegal practices**:
 - (a) interscholastic scrimmages or practice competitions not in compliance with By-Law 2.62e;
 - (b) practices involving alumni or students who presently are not eligible at the member school at any time in the school year;
 - (c) practices against a non-school team at any time in the school year;
 - (d) practices of any kind outside the season designated by the GHSA.
- NOTE: Free Style and Greco-Roman Wrestling are considered to be the same sport as Folk Style (high school) Wrestling and are subject to GHSA rules regulating illegal practices.
- (7) Coaches are allowed to be spectators (in the stands) or “fellow competitors” at non-school events out of season as long as no coaching occurs.
 - (8) Schools found guilty of having illegal practices will be subject to **penalties** that may include a fine, warning, probation, and/or suspension by the GHSA Executive Director.
- (c) A GHSA coach (certified teacher or community coach) may not coach a non-GHSA team in a competitive setting during the school year that includes any player(s) who participate in the sport he/she coaches at the member school. EXCEPTION: In a situation in which the child or step-child of the coach is the only player on a non-school team from the coach’s school, the coach would be exempted from this rule.

2.70 - SPORTSMANSHIP

- 2.71 GHSA-member schools are required to conduct all relationships with other schools in a **spirit of good sportsmanship**.
- (a) It shall be the responsibility of a member school to use every means at its disposal to impress upon faculty, students, team members, coaches, and spectators the **values of sportsmanship** in preparation for the management of interscholastic contests. Contest officials have the authority to have any and all individuals removed from the confines of the contest whose behavior has become a distraction and/or hindrance to the administration of the event. This may include, but is not limited to, verbal and visual gestures.
 - (b) The Executive Director shall have the authority to assess penalties against schools and/or coaches for conduct unbecoming a professional educator or coach committed by coaches or other school personnel at GHSA events. Penalties against schools may include fines, probation or suspensions; and penalties against coaches and other school personnel may include suspension from GHSA events.
 - (c) It shall be the **responsibility of the home or host school** to take the following precautions at all interscholastic athletic events:
 - (1) Take proper steps and precautions to insure crowd and spectator control, including having an administrator (or designee) from the host school to function as **“Game Manager”** at all GHSA sanctioned events. EXCEPTIONS: Golf and Tennis.
 - (2) Take steps to insure the **comfort and security** of all players, coaches, and officials.

- (3) Have in place sufficient **security personnel** to handle any crowd-control problems that might reasonably be expected.
- (4) Security escorts must be provided to game officials by the host school at all GHSA sanctioned contests, before, during and following the contest - including to their vehicles.
- (5) Provide a safe and secure changing area for contest officials, free from traffic by school staff, students and spectators.
- (d) Each school must develop a **plan to handle fight situations** that may occur during an athletic contest.
 - (1) Attention must be given to keeping **substitutes** in the bench areas throughout the fight, and to keeping **spectators** away from the competitive area.
 - (2) **Schools** whose substitutes leave the bench area to go to the area of a fight will be **fined** by the GHSA Executive Director.
 - (3) All players who are involved in a fight and any substitutes who leave the bench area during a fight or potential fight and are **ejected** from the current contest, will be subject to the sit-out rule.
 - (4) The GHSA office may review film to determine participants in a fight situation, or to determine athletes leaving their bench to go to a fight, or to verify the correct number worn by a player in either of these situations. Note: penalties may then be levied, modified or changed based on this film review.
- (e) Players and coaches are expected to exhibit good sportsmanship before, during and after a contest, even if the game officials do not have jurisdiction. Behaviors such as taunting, fighting, etc., are forbidden.
- (f) No coach may remove his/her team from competition before the end of the contest unless it is done in accordance with the playing rules of that sport.

2.72 Any **player, coach, or team attendant** who is **ejected** from a GHSA contest shall be suspended from all levels of competition (i.e., varsity or sub-varsity) in *any* sport or activity (regular season or playoffs) until the period of suspension has expired. NOTE: Ejection penalties must be served at the next contest regardless of whether or not the school has received notice from the GHSA office by that time.

- (a) Ejections are based on judgment calls by a contest official and are not reviewable or reversible.
- (b) A coach shall have no role nor be in attendance at pre-contest warm-ups or activities, and shall not be in uniform in attendance at contests until the period of suspension has expired.
- (c) A player or team attendant may not be on the competitive area nor in the team bench area during any contest until the period of suspension has expired, but is allowed to participate (not in uniform) in Senior Night recognition.
- (d) The **period of suspension** resulting from an ejection will expire as follows:
 - (1) **Football:** after the individual has been withheld from the next-scheduled game at the level at which the ejection occurred (and all contests at any other level).
 - (2) **Soccer:**
 - (a) One-Game Sit-out:
 - 1. Two yellow cards in the same game
 - 2. Deliberate handball to prevent a goal
 - 3. Red card for a foul on a player moving toward his goal in a scoring situation
 - (b) Two-Game Sit-out with Red Card for any of the following: taunting, violent conduct, serious foul play, spitting on another person, foul or abusive language, leaving the bench area for a fight situation.
 - (3) **Lacrosse** players who are ejected or foul out will sit out as follows:
 - (a) BOYS: Any player who fouls out for the accumulation of personal foul penalty time will sit out the next scheduled game. Any player or coach ejected for unsporting behavior or violent conduct will sit out the next two games.
 - (b) GIRLS: *Any player receiving a second yellow card is suspended from further participation in the game. She must leave the field and enter the penalty area for two minutes of elapsed playing time and no substitute may take her place during that two-minute period.* Any player or coach given a red card for unsporting behavior or violent conduct will sit out two (2) games.
 - (4) **Track and Field:** after the individual has been withheld from the next scheduled contest. NOTE: All allegations of unsporting behavior must be referred to the "Jury of Appeals" for a final resolution on disqualification. A report must be submitted to the GHSA office in the event of a disqualification.
 - (5) **All Other Activities:** after the individual has been withheld from the next two (2) scheduled contests at the level at which the ejection occurred.
- (e) To satisfy the penalty of the sit-out game(s), those games must have been scheduled at the time of the ejection, and must be played to completion.
- (f) Penalties for **ejections** of a coach or player for unsporting acts shall be:
 - (1) **First Ejection:** Coach - \$250.00 fine plus penalties as per each sport's by-laws. Player: Completion of the "NFHS Sportsmanship Course" online plus penalties as per each sport's by-laws.
 - (2) **Second Ejection:** Coach - \$500.00 fine plus penalties as per each sport's by-laws; and suspension until completion of the "NFHS Sportsmanship Course" online. Player: \$200 fine plus penalties as per each sport's by-laws. NOTE: When a player, coach or team attendant has a second ejection in the same activity during a school year, that individual shall be withheld from competition for **twice** the time period of a normal suspension.

- (3) **Third Ejection: Coach** - Season suspension plus penalties as per each sport's by-laws; can not coach in any activity at any GHSA member school until successful completion of "GHSA Principles for Coaching." **Player:** Season suspension plus penalties as per each sport's by-laws.
 - (4) The Executive Director shall have the authority to levy additional penalties for repeat offenders.
 - (5) Penalties imposed by the GHSA Executive Director may be appealed as described under Section 9 of Article IV, in the GHSA Constitution.
 - (g) If the ejection occurs in the last game of a season, the penalty carries over to the first game of the next sport in which the student or coach participates (even if the ejectee transfers schools).
 - (h) When a player or coach is ejected from a pre-season scrimmage (i.e., a practice game) in any sport, the school shall be fined a minimum of \$250 and there will be no sit-out penalties imposed.
 - (i) Game Incident Reports are due within 24 hours of the contest, and are to be submitted via the GHSA electronic reporting program.
- 2.73 Any student or coach who **intentionally injures, intentionally attempts to injure, or confronts physically** another student, coach, official, spectator, or other person immediately before, during, or immediately after any GHSA-sponsored activity, may be fined (coach) or declared ineligible to participate in future GHSA activities by the GHSA Executive Director. NOTE: The notice, hearing, and appellate procedures set forth in the GHSA Constitution shall be applicable to such rulings.
- 2.74 Coaches, administrators, contest officials or players are not to make **comments in the media or on any form of social media** that are **critical of officials** and/or their calls in a game. Penalties that could be imposed by the GHSA Executive Director include fines and/or suspensions.
- 2.75 The **use of fireworks** at any GHSA-approved event shall be in strict compliance with the licensing and application procedures of Georgia law and under permit of the probate court in which the event is held.
- 2.76 **Artificial noisemakers** are allowed at outdoor events with the exception of air horns, whistles, or other similar devices that simulate the sounds of clock horns or officials' whistles. At any time that a national playing rule prohibits artificial noisemakers in a sport, that rule will supercede this by-law.
- 2.77 The officials' dressing area is "off limits" to school staff, students and spectators one hour prior to game time, during the duration of the contest, and until the contest officials depart the facility.
- 2.78 Unsporting acts committed by players or coaches will be handled as follows:
- a) If the inappropriate behavior occurs after the expiration of a contest, but while the officials still have jurisdiction as referenced in the NFHS rule book, the official may eject the player or coach and published penalties for ejections will apply.
 - b) If the inappropriate behavior occurs after the officials' jurisdiction has ended, but the official(s) witness the behavior, a Game Report shall be filed with the GHSA office and administrative penalties will be assessed against the school of the guilty parties by the Executive Director.
 - c) In the case of repeat offenders of unsporting acts, the Executive Director will be authorized to levy penalties against the school of the guilty parties regardless of whether or not an ejection has occurred.

2.80 - MEDIA AND FILMING REGULATIONS

- 2.81 The host or home school has the **right to determine** whether or not its **regular-season** activities may be **broadcast**, televised, webcast, taped, filmed or photographed for any "commercial" or scouting purposes.
- (a) Either school involved in the event shall have the right to video tape the event and to copy said tape, but no third party shall have that right, not even the videographer.
 - (b) A visiting school desiring to bring broadcasting personnel must obtain **permission** to do so **from the host school** prior to the date of the activity or contest.
 - (c) The host school must execute a **written contract** with the broadcast entity that complies with the GHSA rules and regulations for broadcasting.
- 2.82 The **region** has the **right to determine** whether or not **region tournament** (post regular-season) events may be broadcast, televised, webcast, tape recorded, filmed or photographed for any "commercial" purposes.
- (a) The region should set and assess any **fees** charged for broadcasting or telecasting region tournament contests or events.
 - (b) The region must execute a **written contract** with the broadcast entity that complies with the GHSA rules and regulations for broadcasting.
- 2.83 The GHSA rules and regulations for **Regular Season and Region Tournament broadcasting** are as follows:
- (a) The host school shall have the right to approve the amount of **space** used **and** the **placement** of broadcast equipment.

- (b) The host school (for regular-season events), or the region (for region tournaments) shall be entitled to all **revenue** from the sale of broadcasting rights unless the contract specifies otherwise.
- (c) **Advertising** utilized during the broadcast shall not include alcohol or tobacco products.
- (d) **Commercial announcements** shall not occur during playing time.
- (e) **Announcers** shall not criticize coaches, officials, or schools, and shall be fair and impartial in their descriptions.
- (f) The **copyright** privileges for Regular-Season events belong to and shall remain the property of the host school.
- (g) The **copyright** privileges for Region Tournament events belong to and shall remain the property of the region.

2.84 GHSB Media rules and regulations for **State Playoff events**:

- (a) Broadcast rights and **copyright** privileges to all state playoff events (i.e., after region winners have been determined) belong to the Georgia High School Association, and the GHSB has the right to determine if any of these events may be broadcast, televised, webcast, tape recorded, filmed or photographed for any purposes. NOTE: Participating schools may NOT sell tapes of state playoff events or provide copies of tapes to third parties for resale without written consent from the GHSB office.
- (b) The GHSB shall grant media access at all state playoff events to properly identified representatives of newspapers, radio stations (with broadcast contract) and television outlets ONLY. Proper identification is interpreted to mean an identification card given by the media outlet, or written documentation on the letterhead of the media outlet specifying that the bearer is working for that outlet at the GHSB event.
- (c) Any media entity wishing to broadcast or telecast (including Internet reproduction) any state playoff event must execute a written contract with the GHSB for that event. Contact the GHSB office for a contract, which shall contain specific rules and requirements.
- (d) **Advertising** utilized during a broadcast shall not include alcohol or tobacco products.
- (e) **Announcers** shall not criticize coaches, officials, or schools, and shall be fair and impartial in their descriptions.
- (f) Broadcast fees are listed in a chart that follows. The fees are "per event" except for football, basketball and soccer, which are per game. NOTE: a baseball playoff series is one event; a softball tournament is one event.
- (g) **Television and Video Webcast** rights and fees must be negotiated with the GHSB office on a case-by-case basis, except for those stations or schools having long-term contracts with the GHSB.
- (h) Video production for authorized school "coach's shows" are exempt from these rules and fees. However, schools may only tape, photograph or film events in which their team is participating.
- (i) NFHS Network is the exclusive post-season video streaming platform of the GHSB. Members of the NFHS Network School Broadcast Program (SBP) do not pay rights fees for post-season playoffs. Non-SBP schools can request to carry a playoff contest subject to GHSB rights fees & NFHS Network schedule. Request should be sent to Steve Figueroa at stevefig@ghsa.net. For more information on joining the School Broadcast Program (nfhsnetwork.com/sbp) contact Matt Abramson at matt.abramson@nfhsnetwork.com.

2.85 **Radio, Audio Internet Broadcast Fees for State Playoff events**: Fees are based on the size of the market. Levels are determined as follows - Level 3 = 50,000 population and higher; Level 2 = 25,000 to 49,999; Level 1 = Under 25,000 population. Fees for each level are listed below. NOTE: These fees are for radio and audio only Internet webcasts.

<u>Market Size</u>	<u>Football</u>	<u>Basketball</u>	<u>Baseball/Softball</u>	<u>Other Events</u>
Level 3	\$225/game	\$125/game	\$150/event	case by case
Level 2	\$175/game	\$100/game	\$100/event	case by case
Level 1	\$125/game	\$75/game	\$75/event	case by case

2.86 Television stations or other broadcast entities shall have the right to film portions of GHSB state playoff events in order to air selected highlights in any bona fide newscast. "Bona fide newscast" is defined as a half-hour or hour program that is regularly scheduled and includes news, weather and sports. Entertainment and commercial uses of highlights are not considered bona fide newscasts and are prohibited. Highlights may not exceed one minute per contest, or two minutes total running time in any single newscast without the consent of the GHSB. Highlights may be used, subject to the above guidelines, up to 72 hours after the event. NOTE: Members of the working press shall be allowed to use digital video cameras at GHSB state playoff events as long as such cameras are being used to obtain still images or video highlights as defined in this By-Law. Site administration shall have the authority to prevent use of such video equipment if it is determined that a video tape of a substantial portion of the event is being made.

2.87 **FLASH PHOTOGRAPHY**: Flash photography is prohibited at all indoor GHSB state playoff events unless permission is obtained from the GHSB office on a case-by-case basis. Flash photography at outdoor GHSB state playoff events is at the discretion of the onsite game officials.

- 2.88 **Parents and/or fans** connected with a member school will be allowed to use video or still cameras **from the stands** to tape or photograph GHSA state playoff events in which that member school is participating under the following conditions (EXCEPTION: One Act Play, Literary and Cheerleading restrictions remain in place):
- The cameras must be hand-held and their use cannot interfere with another fan's view of the event. Site administrators shall have the authority to halt photography if, in their opinion, this rule is being violated.
 - The tapes/photos must be for personal use only and cannot be used for scouting purposes, given to other schools for scouting purposes, used for any commercial/business purpose, or sold for profit. Violation of this rule by a member school will result in penalties from the Executive Director including a fine.
 - Anyone else filming or photographing GHSA state playoff events for any purposes must have approval of the Executive Director.

2.90 - REGULATIONS OF COMPETITIONS

- 2.91 **Sunday Competition:** Sunday competition is prohibited for GHSA regular season or playoff contests. Sunday practices are regulated by local school policy.
- 2.92 **Contest Rules:** All athletic and literary competitions are to be played according to the rules published by the National Federation of State High School Associations, using officially-dressed officials who are registered with the GHSA.
- EXCEPTION: Tennis is played according to the rules of USTA, unless specified by GHSA rules.
 - EXCEPTION: Golf is played according to the rules of the USGA, unless specified by GHSA rules.
 - EXCEPTION: Riflery is conducted according to the "National Standard Three-Position Air Rifle Rules."
 - EXCEPTION: Girls Lacrosse is conducted according to the rules of US Lacrosse.
 - The National Federation prohibits the use of video tape to review an official's decision.
 - No protests are allowed in any GHSA sport or activity unless specified by NFHS rules.
 - Judgement calls by contest officials are not reviewable or reversible.
- 2.93 **Interrupted/Postponed Games:** Any GHSA competition may be interrupted due to human, mechanical, or natural causes when it is necessary to protect the safety of players and spectators. The Executive Director shall have the authority to postpone GHSA events and to direct the procedure for rescheduling when deemed necessary.
- The GHSA requires the host school to provide lightning detectors at all outdoor athletic activities.
 - When a lightning detector indicates a dangerous situation, the game manager will notify the head official. At that point, the official will suspend play and all participants and fans will go to a place of safety (NOTE: If officials spot lightning before being notified, they may suspend play).
 - The contest may resume in accordance with procedures published in the NFHS Rules Book.
 - Postponed games** are games that are terminated before they actually begin because of weather problems, emergency situations, or mechanical failures.
 - The host school should notify the opposing team and officials as early as possible when a contest is postponed.
 - The host school is responsible for determining whether an event is to be postponed until the time that game rules turn that responsibility over to game officials except when there is a written contract for that game. When there is a contract, there must be an agreement between the competing schools about the postponement.
 - School personnel will agree on the rescheduling of the contest.
 - Suspended and/or Terminated Games** - When game officials suspend a game due to weather issues, the following procedures are in place:
 - For all Baseball, Softball, Lacrosse, Soccer and JV Football contests involving teams of different classifications, there will be up to a two-hour delay (cumulative) before the contest will be terminated. (See the Baseball and Softball Sections to see the procedures involved with terminated games.)
 - If the Lacrosse, Soccer or JV Football contest is terminated before it has reached the halfway point, the contest is declared a "no contest."
 - If the Lacrosse, Soccer or JV Football contest is terminated after it has reached the halfway point, the score at the point of termination is final.
 - For Lacrosse and Soccer contests involving teams of the same classification, all contests will be played to completion. (Note: The team that is behind may choose not to resume the contest)
 - There will be no mandatory two-hour delay.
 - The 11:30 curfew will be waived.
 - Administrators from the competing schools may agree to postpone the contest and resume competition at the point of interruption at a later time.
 - The team that is behind may choose not to resume the contest at a later date.
 - All scheduled GHSA varsity football games that have been either interrupted or postponed must be played to completion. Schools must decide when completion will take place in a timely manner. The team behind in the score of an interrupted game has the option not to complete the game and the score will be recorded as it was at the point of interruption.

- (a) There will be no mandatory two-hour delay.
 - (b) The 11:30 curfew will be waived.
 - (4) Golf and Tennis procedures will be dictated by USGA and USTA rules.
 - (5) Cross Country and Track and Field will not use the two-hour delay rule.
 - (d) **Paying Officials** in shortened/postponed games:
 - (1) In the event a scheduled contest cannot be started due to weather-related conditions, officials who have arrived at the contest site will be paid one-half the contest fee in addition to the travel allowance.
 - (2) If a game is interrupted by weather or darkness before it becomes a completed game, the officials will be paid one-half the regular game fee.
 - (3) If a game is an official game at the point of interruption, the officials will be paid full fees.
 - (4) Beyond these conditions, no officials group(s) may hold the schools responsible for weather-related postponements.
- 2.94 All championship contests that end in a tie will have that tie resolved by means of the procedures that are used to resolve ties in preceding rounds of the playoffs.
- 2.95 **Absence of Officials:** In the unlikely event that game officials do not arrive for a contest, both schools should agree on one of the following procedures:
- (a) Delay the game until a new set of officials can arrive;
 - (b) Agree to play the game on another date except a Sunday;
 - (c) Use registered officials who might be in attendance at the contest;
 - (d) Use coaches or school personnel from both schools;
 - (e) Use formerly registered officials who might be in attendance at the contest.
- 2.96 **All Star Teams:**
- (a) In accordance with state law, member schools shall not permit their teams or players to participate in "Bowl" or "All Star" games during the GHSA regular season or during GHSA playoffs. Players selected to participate in out-of-season all-star games must adhere to GHSA amateur standing rules, and to NCAA regulations regarding all-star games.
 - (b) The GHSA is not involved in either sanctioning All Star games or overseeing the selection process.
 - (c) Coaches who are going to coach their own underclass players in an all-star game must report this to the GHSA. (NOTE: All provisions of by-law 1.70 concerning recruiting and undue influence remain in effect.)
- 2.97 **Admission Fees for State Playoff Contests** are set by the GHSA and are published in the various sports sections of the by-laws or on the GHSA web site.
- (a) "Babies in arms" are admitted free of charge to all events in the company of a ticket or pass holder.
 - (b) Digital tickets are available exclusively on **GoFan** (<https://gofan.co/app/school/GHSA>).
 - (c) There is no admission fee for Golf, Riflery, Literary or One Act Play.
 - (d) College and University coaches may attend GHSA playoff contests free of charge with proper ID.
- 2.98 Auxiliary personnel such as ballboys/girls or batboy/girls at all State playoff games must be at least 12 years of age.
- 2.99 All participant uniforms rules and restrictions shall be interpreted in accordance to Georgia law. The GHSA shall not enact or enforce any participant uniforms rule which prohibits religious expression of student athletes other than the rules of particular athletic events as adopted by the National Federation of State High School Associations.

BY-LAW 3.00 - REGION

3.10 - REGION AUTHORITY

Each region, either through its governing board or in general session, shall have the authority to:

- 3.11 **Make rules**, which do not violate GHSA regulations, in order to successfully operate the region organization.
- 3.12 Assess mandatory membership **dues** in order to operate the region organization.
- 3.13 Set deadline **entry dates** for all region contests.
- 3.14 **Oversee** the operation of **region contests** (post regular-season) by setting:
 - (a) Sites for the contests.
 - (b) Admission fees for those contests.
 - (c) Procedures for trophies and medals.
 - (d) Contest structure for determining a region winner, including a written tie-breaker procedure.
 - (e) An appeals committee to handle appeals in region playoff competitions.

NOTE: Decisions of the Region Appeals Committee may be appealed to the Executive Director when it is believed that region by-laws have been violated.

- 3.15 Set and assess **fees** for region contest entrants to pay expenses for the contest, and to pay the expenses of region representatives to the State contest.
- 3.16 The region, not the host school, has the copyright privileges to all region tournament (post regular-season) events, and the region should set and assess any **fees** charged for broadcasting or telecasting region tournament contests or events.
- 3.17 **Pay its Secretary-Treasurer** a stipend.

3.20 - REGION RESPONSIBILITIES TO STATE ASSOCIATION

Each region, through its Secretary, shall:

- 3.21 **Certify the winners** in all region meets and/or tournaments to the GHSA Executive Director within the time limits specified in the By-Laws for each event.
- 3.22 Furnish a copy of complete **region results** in every region meet and/or tournament to all region schools.
- 3.23 Elect a **Region Sportsmanship Award winner** each school year using criteria developed by the region or criteria developed by the GHSA Sportsmanship Committee.

3.30 - REGION FINANCIAL OBLIGATIONS TO STATE ASSOCIATION

- 3.31 The host school of any tournament held within a region is obligated to **pay** five percent (5%) of the gross receipts **to the GHSA** Executive Director within ten (10) calendar days of the close of the tournament. NOTE: **Gross receipts** are defined as total income before any charges such as stadium fees, officials, etc., have been deducted.
- 3.32 Regions (or Areas) that fail to follow stated procedures or deadlines may be assessed a fine for each violation.

BY-LAW 4.00 - STATE

4.10 - GHSA ADMINISTRATIVE RESPONSIBILITIES TO MEMBER SCHOOLS

- 4.11 The GHSA Executive Committee shall meet bi-annually to review By-Laws, policies and procedures of the Association, and to make additions, deletions, and modifications as necessary.
 - (a) The GHSA Executive Committee and Board of Trustees shall, from time to time, adopt whatever rules of procedure are deemed appropriate. The Chair of the meeting shall be authorized to conduct all such meetings in an orderly fashion subject to any changes in those procedures otherwise adopted by a majority vote of members present and subject to the following:
 - (1) "Pass" votes are not considered "No" votes
 - (2) Any Committee member may request a roll-call vote on any question before the Committee without the requirement of a majority vote.
 - (3) Members of the Executive Committee may propose new or amended rules, by-laws or actions to be taken or considered by the Executive Committee during the new business portion of Executive Committee meetings only if such proposal has first been submitted to the Executive Director for inclusion on the agenda for the meeting not later than five calendar (5) days prior to the date of the Executive Committee meeting. Provided however, that if the Executive Director certifies any proposal that has not been timely submitted to be of an emergency nature or to be necessary for the orderly transaction of the business or activities of the GHSA, then he shall have the authority to bring such proposal to the floor of the meeting for consideration of and action by the Executive Committee.
 - (b) The GHSA Executive Committee shall consider recommendations at its bi-annual meetings from member schools and/or region secretaries that are submitted in writing to the GHSA Office at least thirty (30) calendar days prior to the meeting.
- 4.12 The GHSA Office shall maintain an official record for all dues and fees received from any source, and shall provide for an annual audit of finances by a firm of auditors or a certified public accountant.
- 4.13 The GHSA Office shall provide all necessary forms on the GHSA web site, including the following forms from which copies are to be made to satisfy the needs of the member schools:
 - (a) Student eligibility forms.
 - (b) Declarations of intent to enter GHSA activities.

- (c) Forms to secure sanctioning of events.
- (d) Contracts for events.
- (e) Financial statements for hosting GHSA events.

- 4.14 The GHSA Office shall provide an annual calendar that notes:
- (a) the beginning and end of the season for all activities;
 - (b) dates for Region, Area and/or State Playoff contests and/or tournaments

4.20 - RECLASSIFICATION (For the 2022-24 cycle)

- 4.21 Every two (2) years, member schools will be assigned a "Reclassification Student Count" and placed in classifications for competition by one of the following procedures:
- (a) The Reclassification Student Count for Public schools will be based on the FTE count for students in Grades 9-12 provided by the Georgia Department of Education for the fall semester of the second year of the current reclassification cycle.
 - (1) A school will be considered a single-gender school if either gender composes less than 35% of the school population.
 - (2) A single-gender school shall have its FTE numbers doubled for the purpose of reclassification.
 - (b) The Reclassification Student Count for Private schools will be based on the actual head count of students in Grades 9-12 at member private schools as determined on October 1 of the second year of the current reclassification cycle.
 - (c) The Reclassification Student Count will be based on **projected** enrollment numbers for all schools affected by the opening of a new school, the consolidation of existing schools or the redistribution of students within a school system that must be submitted by the system Superintendent no later than October 1 of the second year of the current reclassification cycle.
 - (1) Projections must be filed for the next two school years and those numbers will be averaged to get the number by which the schools will be classified.
 - (2) In the event that a school's actual enrollment in the first semester of the new reclassification cycle exceeds the projection average by 10% or more, or an existing school exceeds the projection by 5% or more AND the additional students would have resulted in the school being in a higher classification, the school shall not be eligible for post-season play in any sport for the entirety of that reclassification cycle.
 - (3) Schools may appeal the loss of post-season competition to the Reclassification Committee and then to the full Executive Committee.
 - (d) The Reclassification Student Count or classification placement of isolated schools will be determined by the Reclassification Committee in accordance with the "Isolation Rule."
- 4.22 The Reclassification Committee may utilize the following factors in reclassification decision:
- (a) Consideration of travel time and costs, plus time out of school for students.
 - (b) Consideration of differences in the size of school populations.
 - (c) Consideration of competitive balance of the schools.
 - (d) Consideration of equitable access to playoff slots.
 - (e) Consideration of rivalries and gate-receipt issues.
- 4.23 The membership of the Association shall be divided into seven (7) classifications as follows:
- (a) Schools will be placed in classifications (according to their Reclassification Student Count) as follows:
 - (1) Class 7A: Largest 10% (approximately) of schools. **Note:** Schools may opt to play up into 7A, but no school may move down.
 - (2) *Class A Division 1 & Division 2*: Smallest 20% (approximately) of schools. **Note:** Non-football playing schools will NOT be counted when calculating the schools being placed in Class A. They will be placed in appropriate regions later.
 - (3) The remaining schools (after 7A and Class A are populated) will be divided into five (5) approximately equal classifications (2A through 6A) with 19-21% in each class at the discretion of the Reclassification Committee.
 - (4) When schools opt to move up in classification, only the exact number of schools at the bottom of the next class will be given the option to come down. If any of those schools opt not to come down, the GHSA office will not look further to larger schools in that class. **Exceptions:** No school can move down from 7A; no school may move down into Class A; and there will be no corresponding movement down should a school opt to play up more than one class above its original classification.
 - (b) **Out-Of-Zone Multiplier:** Every student attending a school from outside that school's district-assigned attendance zone shall be counted as three (3.0) students when it comes to calculating that school's Reclassification Student Count. And that school shall be placed in the classification where the increased count falls. (Note: Schools compelled to play at a higher classification because of this stipulation may petition the Executive Director for stadium/arena seating waivers by August 31 of each year. If granted,

the waiver would allow that school to use the smaller classification's seating requirements in order to comply with playoff by-laws.)

- (1) The designated reclassification attendance zone for all GHSA public schools shall be that attendance zone assigned to the school by its respective school district.
 - (2) The designated reclassification attendance zone for all GHSA non-public and charter schools shall be the public school's attendance zone in which the non-public school or charter school resides.
 - (3) Children of certified professionals at the high school (grades 9-12) and military active duty dependent children will not be subject to the Out-Of-Zone Multiplier even if they live outside the school's designated attendance zone.
 - (4) All member schools must submit the number of students that will be counted as Out-Of-Zone students by October 15th of the final year of the reclassification cycle.
 - (5) Single-gender schools will have the Out-of-Zone Multiplier applied only to the actual number of students enrolled in the school and not to their doubled enrollment figure.
 - (6) If a school is found to be intentionally reporting incorrect numbers, that school will be banned from participating in the state playoffs for two (2) years and must pay a fine of \$2,500.
 - (7) A school shall be allowed to appeal its classification placement to the Reclassification Committee by filing a written appeal with the Executive Director not later than seven (7) days after notification of its classification placement, setting forth in detail why it contends the placement is unfair or unjustified, or why its assigned FTE number is inaccurate.
 - (8) The Reclassification Committee shall thereafter set a date for the hearing of such appeals. If the Reclassification Committee finds that the placement is unfair or unjustified, the school's placement may be modified by the Reclassification Committee. The decision of the Reclassification Committee may be appealed by the school to the Executive Committee. The Executive Committee will not consider objections from schools regarding contested classification placements unless those schools have filed timely appeals with the Reclassification Committee.
- (c) Each classification will have eight (8) regions unless otherwise determined by the Reclassification Committee or the Executive Committee.
- (d) The Reclassification Committee shall have the authority to assign a different Reclassification Student Count or classification placement for any school that is geographically isolated within its region in order to resolve difficulties in travel and time out of class. (Football may be exempted from the isolation policy.)
- (1) An individual school shall be considered to be isolated if the average distance from that school to all other schools in the region is 100 miles or more one way.
 - (2) The decision to place a school in a higher or lower classification will be based on a combination of factors that include travel distances and school population size.
 - (3) If two or three schools in a region are considered to be isolated (even if the average travel distance is less than 100 miles one way), the Reclassification Committee shall be authorized to place those schools in another classification based on travel distances and school population size.
 - (4) If four or more schools in a region are considered to be isolated (even if the average travel distance is less than 100 miles one way), the Reclassification Committee shall be authorized to form a subdivided region in which crossover games with the other subdivision will not be mandatory for region standing.
- (e) **NOTE:** *The above policies contained in by-law 4.23 reflect the rules governing the reclassification cycle for school years 2022-23 and 2023-24. At the April 11, 2022 Spring Meeting of the State Executive Committee, it was unanimously approved to return to six (6) classes for the 2024-26 reclass cycle with Divisions 1 and 2 in Class A and with students who entered a feeder school of a member high school in grades K-5 being exempted from the Out-of-Zone Multiplier.*

4.24 When the membership is divided into classifications as called for by the GHSA Constitution, the following process will be used:

- (a) Schools will be assigned a Reclassification Student Count by the GHSA office.
- (b) Member schools will be able to review and verify their assigned Reclassification Student Count on the GHSA web site. When there is a major discrepancy between the school's count and the count determined by the GHSA staff, the school may appeal to the Executive Director to reconsider the count. The Executive Director's decision shall be final.
- (c) When enrollment figures have been verified, schools will be placed in the proper classification and schools will have seven (7) calendar days to file a request to play at a higher classification.
 - (1) A request to move to a higher classification must be submitted over the signatures of the school's administrative authorities (i.e., the Principal and Superintendent).
 - (2) A school that transfers to a higher classification must remain in the higher classification until schools are next reclassified on a statewide basis.
- (d) The GHSA office will initially place schools in regions and the Reclassification Committee will then meet to ratify or modify those placements. The decisions will be sent to the member schools after that meeting.
 - (1) There will be a mandatory subdivision of each region containing ten (10) or more schools by the Reclassification Committee (Exception: Cheerleading).

- (2) The Reclassification Committee may subdivide a region consisting of less than ten schools if there is an extremely large geographic area within that region.
 - (3) For football, the Reclassification Committee will require crossover games between teams in the subregions to guarantee a minimum of 70% of the season schedule unless there are isolation issues.
 - (4) For all other sports, subdivided regions must guarantee member schools a minimum number of contests within the region equal to 50% of the season schedule unless there are isolation issues.
 - (5) Any region subdivided because of geographic considerations may vote to play a full region schedule based on a two-thirds approval of all Principals in the region.
 - (e) Member schools will have seven (7) calendar days after notification of assignment to request a lateral move to another region, by filing that request with the Executive Director.
 - (1) A request to have a lateral transfer must be submitted over the signatures of the school's administrative authorities (i.e., the Principal and Superintendent).
 - (2) The request will be heard at a meeting of the Reclassification Committee and representatives from both regions shall be notified of the request, and may attend the meeting to voice their approval or state their concerns about such a move.
 - (3) A school that receives a lateral transfer must remain in that region until schools are next reclassified on a statewide basis.
 - (4) At a meeting thereafter, the Executive Committee shall hear any appeals regarding lateral transfers by the Reclassification Committee. Representatives from both regions involved in the appeal shall be notified, and may voice their approval or state their concerns about the appeal.
 - (5) Thereafter, the Executive Committee will approve, disapprove or modify the final reclassification and region alignment plan. Notwithstanding any other provision hereof, all member schools are notified that at a meeting of the State Executive Committee to finally approve reclassification, isolation status, lateral transfers, and assignment to regions, any member school may be assigned or transferred to different classifications or different regions other than those previously assigned. There shall be no further appeal of such assignment or transfer either by the member school assigned or transferred at such meeting, or by any other school which objects to such assignment or transfer. Member schools desiring to be heard on those issues are directed to be in attendance at the meeting of the State Executive Committee as all action taken in connection with reclassification and region assignment will be final and no further appeal will be allowed.
 - (f) Member schools may begin scheduling contests for the new reclassification cycle as soon as the final vote has been taken, the membership notified, and any region subdivisions finalized.
 - (g) When a majority vote is used in a subdivided region to determine scheduling and the process for selecting teams for post-season play, one or more schools may file a "minority report" with the Executive Director if the approved procedure is alleged to be unfair to all schools in the region. If the Executive Director believes that there is unfairness with the chosen procedure, the Reclassification Committee will meet and make a final decision on such matters. No further appeal will be allowed.
- 4.25 The following scheduling policy will be in effect for public schools entering the GHSA at the beginning of the second year of the reclassification cycle:
- (a) In sports where the region has two-year scheduling, the new school will not be able to play a complete region schedule at the varsity level. In those sports, the school could play a varsity non-region schedule or a JV schedule.
 - (b) In sports having year-to-year scheduling, the new school will have full membership once it has been assigned to the new region by the Reclassification Committee.
 - (c) In sports that have a region tournament to advance to post-season play, the region may allow a new school to accept a low seed in the tournament even though it did not play a complete region schedule. That is a decision made by the region.
- 4.26 Charter schools that apply for membership after the reclassification process has been completed will be accepted as schools playing sub-varsity schedules and/or non-region varsity schedules for the next reclassification cycle.

4.30 - STATE ASSOCIATION CONTEST/EVENT RESPONSIBILITIES

- 4.31 The Executive Director shall determine the activities in which a **State Tournament, Playoff, and/or Meet** are to be held.
- (a) In order for a new sport to have a state competition to determine a state champion, the sport or activity must show significant growth and financial stability for a period of three (3) years.
 - (b) The GHSA Executive Director will appoint a committee and a sport liaison to monitor the sport.
 - (c) In order to have a State Championship in an Open Meet Event, there must be a minimum of thirty-two (32) teams participating and this will be determined with the "Intent to Participate" form that is submitted to the GHSA office the preceding school year (with the exception of coed cheerleading, which has a later deadline). Schools which submit this form and then withdraw from that sport will be fined.

- 4.32 The GHSA Executive Director shall determine and provide adequate **sites for all State Tournaments, Playoffs, and/or Meets** to successfully conduct the event.
- (a) Tournament sites will not be available to participating teams for practice prior to the tournaments.
 - (b) The GHSA shall have full rights to the use of the GHSA logo at these events, and have full and complete rights to the sale of championship merchandise at the venue. The GHSA will also have the right to display signage of corporate partners and to restrict the use of goods in the competitive area that promote a competitor of GHSA corporate partners.
- 4.33 The GHSA shall provide team **trophies** for State Champions and Runners-Up, and individual **medals** for first and second place winners in all State activities.
- (a) The number of individual medals provided for team sports and activities is limited as follows:

Baseball.....22	Cross Country....5	Golf.....6	Rifle.....5
Bass Fishing.....6	Esports.....8	Lacrosse.....27	Tennis.....10
Basketball.....18	Football.....56	Soccer.....27	Volleyball.....15
Cheerleading.....20	Flag Football....25	Softball.....24	Wrestling (Dual)....14
 - (b) Schools may purchase additional medals if desired. The form to use to place an order for extra medals is found on the GHSA web site.
- 4.34 The GHSA shall assign field/court **officials** for all Area, Sectional, and State competitions (i.e., after the region winner has been determined), and the fees will be as shown in the chart in **Appendix F**.
- (a) Baseball - crew of 3 or 4
 - (b) Basketball - crew of 3
 - (c) Cheerleading - 5 scoring judges and 2 safety judges
 - (d) Football - crew of 7
 - (e) Lacrosse - crew of 3
 - (f) Soccer - crew of 4
 - (g) Softball - crew of 3
 - (h) Swimming (TBA)
 - (i) Volleyball - crew of 4
 - (j) Wrestling (TBA)
- 4.35 The Executive Director is authorized to modify all competition dates, times, sites, officiating requirements and other practical and logistical matters.
- 4.36 For state playoff events that are held at multiple, centralized sites, when venue expenses exceed 45% of the revenue for that day at that site, the GHSA will pay the excess expenses. For state playoff events hosted by member schools, the school's payment to the GHSA will be waived if the financial report for that event shows a loss, subject to GHSA review.
- 4.37 **Universal Coin Flip:** The GHSA office will conduct one "universal" coin flip prior to the Quarterfinal round and again prior to the Semifinal round in all sports to determine the designated home team in all classifications where equal-seeded teams are meeting in that round. This flip will determine whether the top or bottom of the bracket in all such cases would be the host team (subject to other hosting requirements as specified by the GHSA by-laws for each respective sport).

4.40 - STATE PASSES TO GHSA EVENTS

- 4.41 The GHSA shall issue **passes** for regular season and post-season events annually to:
- (a) Elected or appointed **Board of Education members**
 - (b) The following school system personnel who work directly with interscholastic activities in grades 9-12:
 - (1) Superintendent
 - (2) Assistant Superintendents
 - (3) System-wide Athletic Directors and Assistant Athletic Directors
 - (c) The following **school personnel of grades 9-12:**
 - (1) Principal and Assistant Principal(s)
 - (2) 1 Band Director
 - (3) 1 Literary Coordinator
 - (4) 1 One Act Play Coordinator
 - (5) Athletic Director(s)
 - (6) All athletic coaches, including **Community Coaches** who have successfully completed the GHSA Coaches Education Program and who are registered by a member school as being utilized as a high school coach.

- (7) 2 Certified Trainers employed by the school system in grades 9-12 and recommended by the Principal. A copy of their Georgia Athletic Training license must be provided. Passes for additional Certified Athletic Trainers employed by the school system may be requested.
- (d) GHSA staff members
- 4.42 **Lifetime Passes** are available to retired persons of the teaching profession, and/or those retiring from the Georgia Teaching Retirement System, who served at least twenty (20) years in GHSA member school(s), grades 9-12 as a:
- Superintendent or Assistant Superintendent AND/OR
 - Principal or Assistant Principal AND/OR
 - Athletic Director AND/OR
 - Coach of a sport listed in the GHSA by-laws.
 - GHSA staff member with 20 years or more of service.
 - Application should include the individual's permanent address and verification of years of service and must be signed off by retiring system's Superintendent.
 - Application are available under Forms on the GHSA web site.
 - Years of service to the GHSA as a Region Secretary and/or Executive Committee member shall count towards the requirements to qualify for a GHSA Lifetime Pass.
- NOTE: Individuals must have retired from coaching and teaching before applying for a pass.
- 4.43 GHSA passes are **non-transferrable** and may not be used by persons other than the individual to whom it was issued.
- The individual's name shall be typed on the pass.
 - Picture Identification is required for the user of the pass at all GHSA post season events.
 - A pass that is used illegally is to be confiscated and the individual to whom the pass was issued forfeits the right to receive a pass in the future.
 - The spouse of a coach, coaching in a State Playoff event shall be admitted to that event upon presentation of their spouse's pass and proper identification.
- 4.44 In the event a pass is **destroyed or lost**, the school administrator should notify the GHSA Office in writing, and should include the payment of \$25.00 with a school check to have the pass replaced.
- 4.45 When a school staff member who was issued a GHSA pass leaves the position that entitles them to that pass, the pass should be returned to the GHSA Office **immediately**.
- 4.46 At any GHSA **regular-season** event, the host school must honor the GHSA pass that admits "the bearer and one other person" as well as similar passes from the GISA or the GAPPS (formerly GICAA). For GHSA **state playoff events**, the host school shall honor only the GHSA pass, valid media credentials and the GHSA Officials Pass (bearer only).
- 4.47 School resource officers and other law enforcement personnel in uniform are to be granted free admission to all GHSA events.

4.50 - CERTIFICATION OF ATHLETIC OFFICIALS

- 4.51 A plan for the **certification of athletic officials** shall be established by the GHSA office and published in the GHSA Contest Officials Handbook and Accountability Manual which includes:
- published procedures for **registration** of officials
 - published guidelines for **training** officials
 - a system for **evaluating performances** of officials
 - a system of recognition of **years of service** by officials
- 4.52 The following items constitute the Athletic Officials Associations Approval Plan for the GHSA:
- The Executive Director of the GHSA shall determine the **number of officials associations** to be approved for each activity. The number of associations will be determined by:
 - The demand for officials in that activity in that geographic area of the state.
 - The number of associations already in existence in that activity in that area.
 - The extent to which member schools' needs are being met by existing officials associations in that activity.
 - The assignment of officiating associations for most GHSA activities shall be the responsibility of the GHSA office.
 - Officials' associations must maintain minimum membership levels in order to be considered "active associations" by the GHSA in certain sports. Those numbers shall be: Baseball (20), Softball (20), Football (30), and Basketball (30).

- (6) New officiating associations may be established when it can be demonstrated that the needs of member schools will be met by adding an association.
 - (b) The GHSA Executive Director may, at his discretion, approve **additional associations** utilizing the following criteria and procedure:
 - (1) Such associations shall make **application** to the GHSA requesting approval.
 - (2) The **By-Laws** of such an association shall be subject to the approval of the GHSA and must include provisions indicating that the association and its members will be subject to the rules and authority of the GHSA. A current copy of the association by-laws/constitution must be submitted to the GHSA office.
 - (3) An approved officials association must handle its **finances** through a central banking account, and should distribute IRS 1099 forms to all members. Every officiating association must have a Federal Tax Identification Number on file with the GHSA office.
 - (4) An approved association shall require all its **members to be registered** with the GHSA, and to comply with all requirements of the “GHSA Policies and Procedures Manual.”
 - (5) All approved associations must comply with all GHSA policies, procedures and **reporting deadlines** or be subject to **fines** assessed to the association by the GHSA office.
 - (6) All chartered officiating associations must comply with the E-Verify program by July 1 of each calendar year.
 - (7) All GHSA contest officials are required to have a current “background check” on file. Background checks are valid for a five-year period. Each local association is required to keep records of the background checks. Associations assigning contest officials to GHSA sanctioned contests who have not completed this requirement are subject to a monetary fine and possible loss of charter.
 - (c) The GHSA expects every officials association to operate in a manner that does not discriminate on the basis of race, sex, color, disability, religion, national origin or age.
 - (d) Officials associations shall not charge member schools any **administrative fees** not authorized by the GHSA.
 - (e) All Invoices for officiating fees in all sports shall be paid within 14 days of the date of the invoice. Failure to do so will result in a 10% late fee being charged to the member school by the assigned local officiating association. Local associations may send invoices for game fees as agreed upon with the member school. NOTE: Member schools are prohibited from paying contest officials at the game site.
 - (f) Officials may register with only one (1) local association per sport during a school year, and officials are not allowed to officiate GHSA events until the registration process has been completed with the GHSA office.
 - (g) In the event that a local association does not have a sufficient number of eligible officials to work on a specific day/night, officials may be requested from other GHSA-chartered associations. It is the responsibility of the local association assignor in need of additional officials to make the initial contact with the assignor of another association to work out details of the request.
 - (h) All GHSA chartered associations and registered contest officials shall comply with the policies and standards referenced in the “GHSA Contest Officials Handbook and Accountability Manual.”
 - (i) Officials shall not be assigned in any GHSA sport or activity if they have had any connection in the past 10 years (attended, worked in the system, have children or other relatives in the system, etc.) with the schools they are officiating or judging.
 - (j) All GHSA contest officials shall adhere to the “Uniform Standards” as listed in the “GHSA Contest Officials Handbook.”
- 4.53 Contest officials and officials’ associations are independent contractors and not employees of the GHSA or its member schools.
- 4.54 In the event that officials do not show for a scheduled event without notification or emergency situation, a fine shall be assessed to the officials association for twice the amount of the game fees and that amount be divided between the competing schools.
- 4.55 All decisions of the GHSA Executive Director in regards to officials shall be subject to the **appellate procedures** as set forth in the GHSA Constitution.
- 4.56 **Universal contest fees** shall be charged for all scheduled, regular-season interscholastic contests (including scrimmages). The universal fee schedule shall be as shown in the chart in **Appendix F**. Schools and officiating associations may not reduce or increase game fees from those listed in this section. Penalties may be imposed for those violating this rule.
- 4.57 Current-year registered contest officials have the option to purchase a “GHSA Officials Card” through their local association via the registration process with the GHSA office. If this option is selected, an additional \$15.00 will be added to the annual GHSA registration fee. The “GHSA Officials Card” will allow the legal bearer of the card his/her admission (only) to all GHSA sanctioned events/activities.

4.60 - SPECIAL GHSA POLICIES

- 4.61 **Gender Equity:** The Georgia High School Association shall comply with the requirements of subsections (a) through (f) of Code Section 20-2-314, as those requirements relate to the association's functions of organizing, sanctioning, scheduling, or rule making for events in which public high schools participate. The Georgia High School Association shall, no later than October 1, 2003, and every year thereafter, submit a report to the General Assembly regarding its compliance with paragraph (1) of this subsection. Such report shall address the number, type, and disposition of written requests for the association to organize and administer regional or state events for additional or different sports; written requests for information regarding the types of athletic events for public high school students that the association organizes and administers; and written inquiries and complaints received by the association with respect to gender discrimination in connection with public high school events. The report shall address all such written requests, inquiries, and complaints, regardless of whether such request, inquiry, or complaint is made by letter, e-mail, memorandum, or any other form of written communication. Each report shall cover the time period beginning on July 1 of the previous year and ending on June 30 of the year in which the report is due. In addition, the association shall have in effect a policy requiring notification to persons who make such requests, inquiries, or complaints verbally that such request, inquiry, or complaint will not be included in the association's reporting to the General Assembly regarding compliance with this Code section unless such request, inquiry, or complaint is made in writing.
- 4.62 **Open Meeting/Open Records:** The Georgia High School Association shall comply with the requirements of Article 4 of Chapter 18 of Title 50, relating to the inspection of public records, and Chapter 14 of Title 50, relating to open and public meetings, to the extent that such records and meetings relate to the association's activities with respect to public high schools; provided, however, that such association shall not be required to comply with such statutes or to conduct open and public meetings or provide inspection of records where the sole subject of such meeting or record pertains to the academic records or performance of an individual student or the eligibility of an individual student to participate or to continue to participate in sponsored events or contests based on academics; provided. However, where a meeting or record of such association is devoted in part to matters excepted in the preceding proviso, any portion of the meeting or record not subject to such exception shall be open to the public.
- 4.63 **Steroids/Performance Enhancing Drugs:** The Georgia High School Association strongly opposes the use of anabolic steroids and other performance enhancing substances by high school student-athletes. The GHSA believes that such usage violates legal, ethical and competitive-equity standards and imposes unreasonable long-term health risks on the user. The GHSA encourages member schools to educate students and coaches about the perils of steroid usage, and the GHSA will distribute educational materials about this issue to member schools.
- 4.64 **Penalties for Violations:** In accordance with the GHSA Constitution, the Executive Director is empowered to make a determination as to whether a violation of GHSA rules has occurred, and to assess the appropriate penalty which may include a fine and/or probation. A non-exhaustive list of violations and fines is published in **Appendix P** of the Constitution & By-Laws.
- 4.65 **Indemnification:** The GHSA shall, to the extent legally permissible, indemnify each person who may serve or who has served at any time as an officer, committee member, employee or volunteer of the GHSA against all expenses and liabilities, including, without limitation, counsel fees, judgments, fines, excise taxes, penalties and settlement payments, reasonably incurred by or imposed upon such person in connection with any threatened, pending or completed action, suit or proceeding in which he or she may become involved by reason of his or her service in such capacity; provided that no indemnification shall be provided for any such person with respect to any matter as to which he or she shall have been finally adjudicated in any proceeding not to have acted in good faith in the reasonable belief that such action was in the best interests of the GHSA; and further provided that any compromise or settlement payment, other than those funded by insurance, shall be approved by a majority vote of a quorum of GHSA Executive Committee who are not at that time parties to the proceeding. The GHSA may maintain insurance, at its expense, to protect any such person against any such liability, cost or expense.

ATHLETICS

(NOTE: State Playoff Brackets for ALL sports can be found in Appendix B at the end of this publication)

SECTION 1 BASEBALL

GENERAL INFORMATION:

- A. Baseball is a state championship event in each classification, and schools are aligned on a regional basis.
- B. All games will be played by the rules published by the National Federation of State High School Associations (NFHS).
- C. The maximum number of **games** allowed (not including state playoffs) is thirty (30). This limit of 30 games includes any region tournament games. Beginning and ending dates for practice and competition can be found at the front of this publication.
- D. A school shall not allow its baseball team to engage in an interscholastic practice and/or scrimmage game, except for one (1) interscholastic scrimmage consisting of a 7-inning game using a “free substitution” format and umpires registered with the GHSA.
- E. All varsity baseball games shall be played with officially-dressed officials who are registered under the GHSA plan for the registration of officials.
 - 1. The assignment of officials for regular-season games, invitational tournaments, and any sub-region or region playoffs allowed in the 30-game limit will be made by the GHSA office.
 - (a) The GHSA will assign one or more associations to each school for their games.
 - (b) The school and the local association(s) will sign a contract for the games that are assigned.
 - 2. In accordance with By-Law 2.71-c, the host school has the responsibility of providing security escorts for umpires at all regular-season and post-season games.
- F. The following items allowed in the NFHS rule book as “State Adoptions” have been adopted by the GHSA:
 - 1. A game will end anytime that a team is 10 or more runs behind and has completed five or more turns at bat. A game will end anytime that a team is 15 or more runs behind and has completed three or more turns at bat.
 - 2. The suspended game rule will be used:
 - (a) When a game is stopped before it becomes a legal game (4.5 or 5 innings), it is considered “no contest” and any replay will begin from the first inning.
 - (b) When a game is stopped after it becomes a legal game and a winner can be determined, it is a completed game.
 - (c) When a game is stopped after it becomes a legal game and a winner can not be determined, any replay will begin from the point of interruption.
 - (d) In any terminated game, accumulated pitches will count.
 - 3. The use of the “courtesy runner” is the only “speed-up rule” that has been adopted. Being a courtesy runner does not count as a game played.
 - 4. Sub-varsity teams have the option of using free substitution and a batting order of ten (10) players if agreed upon by both coaches before the game. Lineup cards must be presented to the umpire at the plate meeting and the batting order shall remain the same throughout the game.
- G. The following interpretations have been approved by the GHSA.
 - 1. Termination of the game due to weather, unplayable conditions, or mechanical malfunctions:
 - (a) The umpires may halt play for up to two hours when conditions do not allow play to continue.
 - (1) The two-hour interruption(s) is cumulative
 - (2) The game must be terminated when the two-hour time has elapsed. If the first game of a doubleheader is terminated, the second game will be postponed.
 - (3) The two-hour period does not include time needed to prepare the field for the resumption of play.
 - (b) Umpires must wait for at least thirty (30) minutes before terminating a game for unplayable field conditions.
 - 2. **Pitching restrictions:**
 - (a) **Regular Season Maximum Pitches in One Day:** Varsity 110; sub-varsity 90.
 - (b) **Regular Season Required Rest Periods:**

<u>Varsity</u>		<u>Sub-Varsity</u>	
1-40 Pitches	0 Days	1-30 Pitches	0 Days
41-60 Pitches	1 Day	31-44 Pitches	1 Day
61-85 Pitches	2 Days	45-64 Pitches	2 Days
86-110 Pitches	3 Days	65-90 Pitches	3 Days

NOTE: During the Regular Season, a pitcher shall not throw more than 110 pitches (90 for sub-varsity) cumulative over a two-day period and cannot pitch more than two consecutive days. The rest period is based on the total pitches thrown during a given two-day period. Pitches thrown during a game that was suspended or rained out shall be counted towards any pitching restriction thresholds.

- (c) **State Tournament** - *During the State Tournament, no pitcher shall be allowed to throw more than 120 pitches over a three-game series. The "Required Rest Period" chart does not apply.*
 - (d) A pitcher at any level (varsity or sub-varsity) shall be allowed to finish the batter when the maximum pitch count limit is reached during an at-bat, but must be replaced immediately when that at-bat ends.
 - (e) A "Day of Rest" is defined as a calendar day. Example: a varsity level pitcher who reaches the 110-pitch limit on a Tuesday would not be allowed to pitch again until Saturday.
 - (f) Tabulation of Pitch Counts - It will be the responsibility of each team to track their own pitch counts throughout the game. And at the conclusion of the game, the head coaches shall meet to approve and agree upon the respective pitch counts for each team. It will then be the responsibility of the home team head coach to enter the agreed-upon numbers into the "PitchKount" electronic tabulation program.
 - (g) In games versus non-GHSA member schools, the GHSA pitching restrictions shall be adhered to, regardless of the pitch count policy of the host school affiliation or state association. When playing out of state, it is the GHSA member school's responsibility to report the pitch count information in PitchKount.
 - (h) If a school is found to have violated any of the provisions of this policy, the offending school shall be fined \$250.00 and the head coach at that level assessed a two-game suspension, and the game forfeited. Any subsequent violation during the same season will result in penalties being doubled and the head coach being required to meet with the Executive Director prior to being reinstated to coach.
- H. Contracts are required for all regular-season and playoff contests. Contracted games can not be canceled for any reason other than weather/playing conditions without the approval of the GHSA office. **NOTE:** When rescheduling, region games take priority.
- I. Schools must enter team schedules, rosters and weekly game/meet results during the season on MaxPreps and be responsible for updates as needed. This information will support statewide media, event programs, broadcasts partners and GHSA Region Standings. Teams are encouraged to maintain team/individual statistics on MaxPreps.

STATE PLAYOFFS:

- A. Four teams from each region will advance to the state playoffs. Regions must determine their four winners within the 30-game playing limit.
- B. When a region does not have a tie-breaker method in place, the following procedure will be used for seeding purposes:
 1. Percentage of head-to-head wins against tied teams
 2. Least number of runs allowed between tied teams
 3. Least number of runs allowed in overall region play
 4. Mini-game of five (5) innings
 5. In any step of the tie-breaking process if a tie involving more than two teams is broken so that all ties are broken, that step determines the placements. If two teams remain tied after a step is completed, revert back to head-to-head record to break the tie. If the tie cannot be broken, move to the next step.
- C. All rounds of the state playoff involve a best two-of-three series.
 1. The higher seeded team, or the team designated as the host team by the Universal Coin Flip (if the teams are equal seeds), will host all three games.
 2. A doubleheader is required on the first day of each round of the playoff series.
 3. The host team will be the home team in the first game, and the visiting team will be the home team in the second game. The higher-seeded team will be the home team for a third game, or a coin flip will determine home team if both teams are equal seeds.
 4. The responsibilities of the host team are to:
 - (a) furnish game balls beyond those furnished by the GHSA
 - (b) notify the GHSA office as to the arrangements for the series
 5. In the event that two schools involved can not agree on the arrangements for the series (dates, times, etc.), the GHSA Executive Director will make a ruling to cover the situation.
 6. In the event that a State Playoff game is suspended prior to becoming a legal game, it shall resume from the point of interruption on the next available date. If that date can not be agreed upon by the competing schools, the GHSA Executive Director shall determine the playing date.
- D. The play windows for the State Tournament are listed in the Beginning and Ending Dates published at the beginning of the Constitution. In all cases, the first date of the play window will be a doubleheader, followed by the "if" game on the second date.

- E. The finances for the **state playoffs** are as follows:
1. Admission fees **must** be charged for all post-season games: \$10 for doubleheaders and \$7 for single games.
 2. Total gate receipts include all ticket sales and radio/television payments (see fees in Broadcast section 2.80).
 - (a) The fee for a radio broadcast is paid to the host school prior to the game and is added into the gate receipts.
 - (b) Television contracts are negotiated by the GHSA Executive Director.
 - (c) Money from concessions and program sales are not part of the gate receipts.
 3. The process of dealing with finances is handled as follows:
 - (a) Twelve percent (12%) of the gross receipts will be paid to the GHSA.
 - (b) The umpires will be paid out of gross receipts.

NOTE: If the gross receipts are not sufficient to pay the umpires, the host school will pay that cost.
 - (c) The remaining balance is to be divided with 50% of the proceeds going to the visiting team and 50% to the host team.
 - (1) The visiting team shall be paid \$.80 per mile (one way) for travel.
 - (2) The host team is responsible for paying local service charges, stadium charges, operating expenses, personnel costs, etc., out of their 50% share.
 - (3) Admission fee for **State Championship Series** at a neutral site will be posted on the GHSA web site.
 4. At neutral-site games, each participating team is allowed free admission for a maximum of 25 players and team essential personnel. Coaches will be admitted with a GHSA coaching pass.

SECTION 2 BASKETBALL

GENERAL INFORMATION:

- A. Basketball is a state championship event in each classification for boys and girls, and schools are aligned on a regional basis. Beginning and ending dates for practice and competition can be found at the front of this publication.
- B. All basketball games will be played by the rules published by the National Federation of State High School Associations.
- C. The number of basketball games allowed (not including regional, sectional and state tournaments) is twenty-five (25) regular season games either in head-to-head competition or in invitational tournaments that have been approved by the GHSA. NOTE: All basketball schedules and contracts are to be completed by June 1 each year.
- D. The following policies exist for basketball games:
 1. Warm-up time between games shall be no less than fifteen (15) minutes. The game clock operator shall start the clock between games when the last player from the previous game leaves the court.
 2. Sub-varsity games shall be played using seven (7) minute quarters. Playing time may be reduced on a night that precedes a school day.
 3. Region and State Tournament games do not have a starting time restriction, but shall be completed no later than 11:30 p.m., on a night that precedes a school day.
- E. In accordance with National Federation rule options, when there is a competitive imbalance between teams, the second half of a game may be reduced to six (6) minute quarters, while using normal timing/scoring rules when:
 - (a) The point differential at halftime is thirty (30) points or greater, and the coach of the trailing team wishes to have the quarters reduced.
 - (b) The point differential at the beginning of the fourth (4th) quarter is thirty (30) points or greater, the reduction will be invoked automatically.
- F. All varsity basketball games shall be played with officially-dressed basketball officials who are registered under the GHSA plan for the registration of officials.
 1. The assignment of officials associations for regular-season games, invitational tournaments, and sub-region and region tournaments will be made by the GHSA office.
 - (a) The GHSA will assign one or more associations to each school for their games.
 - (b) The school and the local association(s) will sign a contract for the games that are assigned.
 2. The host school must provide an adult (21 years old or older) to maintain the official scorebook, electronic scoreboard, and *35-second clock* at all varsity games.
 3. The host school must provide a safe and secure changing area near the playing court for contest officials, free from traffic by school staff, students and spectators one hour prior to game time, during the duration of the contest(s) and until the contest officials depart the facility.
 4. In accordance with By-Law 2.71-c, the host school has the responsibility for providing security escorts for officials at all regular season games and tournaments.
 5. The host school for a "special event" contest shall contact the GHSA office for the officiating assignments.
 6. All varsity level games shall be officiated by a 3-person crew. Sub-varsity games may be officiated by a 2-person crew.

7. **35-SECOND CLOCK** – *The 35-second clock is to be used in all “Varsity Level” games.*
- (a) The individual designated as the “Shot Clock Operator” shall be approved through the GHSA 35-Second Shot Clock Operator certification.
 - (b) *Schools not in compliance with the 35-second shot clock requirements will be assessed a technical foul.*
- G. Schools must enter team schedules, rosters and weekly game/meet results during the season on MaxPreps and be responsible for updates as needed. This information will support statewide media, event programs, broadcasts partners and GHSA Region Standings. Teams are encouraged to maintain team/individual statistics on MaxPreps.
- H. **MISCELLANEOUS INFORMATION:**
1. Cheerleaders at basketball games shall be restricted from the area at the end of the court during the time a game is in progress unless they are more than eight (8) feet from the boundary line of the court.
 - (a) This includes when cheerleaders are in an “L” shape with part on the sideline and part on the endline.
 - (b) The host school or tournament director is responsible for enforcing this rule.
 2. The throwing of souvenirs (such as small basketballs, t-shirts, etc.) into the stands is prohibited until after the final basketball game of the day.
 3. During **Semifinals and Finals**, schools are limited to a maximum of 20 uniformed cheerleaders at court side.
 - (a) Cheerleaders shall not occupy spectator seating and shall be in designated courtside areas.
 - (b) Mascots shall be members of the student body.
 4. No artificial noisemakers (including megaphones) shall be allowed in the gym during basketball games.
 5. Bands shall play only during intervals between periods or during timeouts; the home school is responsible for enforcing this rule.
 6. The practice of cutting or removing nets, or hanging on the rim or backboard is prohibited at all GHSA games.
 7. For the pregame and second half warmup period and during the time of team introductions, teams can not run around or through the opposing team’s half of the court and the midcourt circle area is off limits to both teams. The penalty for violation of this rule will be a technical foul if the officials have taken jurisdiction of the game.
 8. All spectators must wear shirts during the games.
 9. The host school should provide dressing areas for visiting teams in close proximity to the playing floor. Game managers, in conjunction with game officials, may extend halftime intermission to 15 minutes if the dressing area is not in close proximity to the playing floor.
 10. Coaching boxes must be marked on the floor in both bench areas with one line that is 28 feet from the end line of the court.
 11. An “X” must be marked on the floor in front of the spot where the scorekeeper sits in order to facilitate the substitution process.
 12. Players are prohibited from warming up on the court at halftime intermission of the preceding game.
 13. In accordance with NFHS rules, the official scorer is required to wear a black-and-white, vertically-striped shirt.
 14. There shall be a minimum warm-up time of 15 minutes between multiple games.

REGION TOURNAMENTS:

- A. Each region will decide its method for determining the teams that will advance to the State Tournament.
1. Four teams from each region will advance to the First Round of the State Tournament in all classifications (boys and girls), even when the region is sub-divided.
 2. No region may use a double-elimination tournament.
 3. The tournament committee or tournament director shall secure the services of competent scorekeeper(s) and clock operator(s). NOTE: No team shall have the privilege of placing its scorekeeper and/or timekeeper at or near the position of the official scorekeeper and clock operator.
- B. Officials associations for sub-region and region tournaments will be assigned by *the host school’s local association*.
1. Issues for covering the tournament will be handled by the tournament director and the assigning officer of the selected officials association.
 2. Officials may not work back-to-back games in the post-season except in emergency situations.
- C. Region post-season games (sub-region games and full region games) must have a minimum of two games at each site.

STATE TOURNAMENT

- A. In the **First Round through the Quarterfinal Round**, the higher-seeded teams will host (if equal seeds meet, a “universal” coin flip will determine the host school). *In each of the first three rounds, there are two dates of competition.*
1. *The girls teams will play on the first night of the designated round, while the boys teams will play on the second night of the round.*

2. *In the event that the same school hosts both the boys and girls games, the host school may petition to schedule a doubleheader with the following stipulations:*
 - (a) *If a doubleheader is scheduled, it shall be played on the second playing date of that round. If more than two (2) schools are involved, **they must all agree** on the play date or the schools will play on the gender-designated dates and there will not be a doubleheader.*
 - (b) *If the day of the doubleheader is requested to be changed, **all participating schools must agree** to play the doubleheader on the requested date.*
 3. Officials will be assigned by the GHSA office. Officials may not work back-to-back games in the post-season except in emergency situations.
 4. The host team will provide an adult (21 years or older) timer and scorer.
 5. All other GHSA by-laws pertaining to the State Tournament apply to these games except where specified.
 6. **SEATING:**
 - (a) All seats are to be general admission, and tickets will be full-price for each day of the tournament.
 - (b) The host school shall provide 50% of the available seating to spectators from the visiting school(s).
 - (c) The **minimum seating requirements** are: 7A, 6A & 5A - 1,200; 4A - 1,000; 3A & 2A - 700; A - 500 (with bleachers on both sides).
 7. **FINANCES:**
 - (a) Admission fee for the **First Round through the Quarterfinal Round** is \$7.00 for single games and \$10.00 for doubleheaders. Admission fee for the **Semifinal and Final Rounds** is \$15.00.
 - (b) Only GHSA passes and valid press credentials, with a picture ID, will be honored for admission.
 - (c) In the **First Round through the Quarterfinal Round:**
 - (1) The host school will be allowed to deduct expenses up to \$500.00 for a single game or \$700.00 for a doubleheader.
 - (2) The host school will deduct officials fees of \$555.00 for a single game or \$1110.00 for a doubleheader.
 - (3) Visiting team(s) will be paid \$.80 per mile (one way).
 - (4) For a single game or a doubleheader involving two schools, the net proceeds are split equally between the two schools and the GHSA.
 - (5) For a doubleheader involving three schools, the net proceeds will be divided as follows: 20 percent to the GHSA; 20 percent to each visiting team and 40 percent to the host school.
 - (d) In the **Semifinals and Finals**, from net receipts (after all expenses have been paid), the GHSA will receive 40%, and 60% is divided among the participating schools.
 8. **Semifinal Round** games will be played at centralized sites (to be determined).
 9. The **Final Round** games will be played at a centralized site(s), to be determined, and will be known as the "Dr. Ralph Swearngin Basketball Championships." Dates for the semifinals and finals may be found in the Beginning and Ending Dates table at the front of this publication.
- B. Until eliminated from the tournament of its respective classification, each team will be entitled to free admission at their site on the date of their game only:
1. A maximum of twenty (20) players and team essential personnel.
 2. A maximum of sixteen (16) cheerleaders in uniform.
 3. Coaches will be admitted with a GHSA coaching pass.
 4. The school will be charged by the GHSA office for additional personnel entering at the team gate.
 5. Floor passes will be given to the basketball coaches listed on the official roster and a maximum of six auxiliary personnel (managers, statisticians, and trainers).
 6. Team Instructions for State Tournament games will be available on the GHSA web site.
- C. In the **First Round through the Quarterfinal Round**, the **host team** is designated as the home team and will wear **white jerseys**. In the **Semifinal and Final Rounds**, the team listed at the **bottom of the bracket** is designated as the home team, and will wear **white jerseys**, regardless of the seeding in prior rounds.
- D. Upon arriving at the tournament site, the head coach or a designee shall:
1. submit a complete lineup to the official scorer.
 2. verify with the opposing coach the color of jerseys being worn.
- E. Tournament sites will not be available to participating teams prior to the tournament. EXCEPTION: When the team of the host school is in the tournament.
1. Teams playing in the first game of the day shall have access to the court no earlier than thirty (30) minutes before game time.
 2. There will be a minimum of fifteen (15) minutes between tournament games.
- F. Each team is responsible for providing its own basketballs for warm-ups, towels, training supplies, and half-time refreshments, unless notified differently by the GHSA office. The GHSA will provide game balls at the **Semifinal and Final Rounds**.

- G. Each school is responsible for the behavior of its coaches, players, and spectators at tournament games. Therefore, the behavior of these groups must be monitored by school administrators, especially (but not exclusively) in the following areas:
1. No artificial noise makers, banners or signs, radios or similar music-producing devices are allowed.
 2. Throwing objects on the floor will not be tolerated.
 3. Cutting nets, hanging on rims, climbing on backboards is prohibited.
 4. Security personnel may ask that spectators refrain from standing the entire game if it blocks the view of other spectators who choose not to stand.
 5. Displays of unsportsmanlike conduct directed toward the opposing team or the officials will not be tolerated.
 6. Spectators are not allowed on the court at any time prior to, during or following the game. Players are not allowed to go into the spectators' area following the game.
 7. Pep bands with a maximum of 15 members and one (1) adult school personnel member may be allowed. If the home team allows its pep band to attend, it shall also allow the visiting school's pep band to attend.
- H. Each school in the tournament is allowed to have one video camera filming only its games under the following conditions:
1. The video personnel of the school must film from an area designated by the Tournament Director.
 2. The video of the tournament game(s) may not be shown at the school or in the community for admission, nor on cable television (see regulations in Broadcast section 2.80) without authorization from the GHSA.
- I. Tournament Officials
1. Officials for State Tournament play will be selected using the following criteria:
 - a. District partnership rankings.
 - b. Evaluation reports from regular season games.
 - c. Nominations from members of the Evaluation Committee.
 - d. Evaluations from previous State Tournament games.
 2. There will be three (3) officials on the court in all State Tournament games.
 3. Official scorekeepers for the Championship Finals will be selected by the GHSA office from a list compiled from recommendations by Region Secretaries.

SECTION 3 BASS FISHING

GENERAL INFORMATION:

- A. Bass Fishing is a state championship co-ed event open to all GHSA schools in all classifications.
- B. Notification of entry in Bass Fishing must be filed with the GHSA office by March 1 for the next school year.
- C. The Bass Fishing State Championship will be held in the Spring of each year. The first of four regional qualifier will begin in January of each year.
- D. The GHSA is partnering with MLF/TBF to oversee and manage the Regional Qualifiers and State Championship Fishing Tournament.
- E. Sites for Competition- the GHSA/MLF/TBF shall make the determination of the region competition sites. Schools interested in hosting may submit a request.
- F. There is no limit to the number of students each school can have on their team roster.
- G. Each school may enter up to six boats in each regional competition. Schools can enter boats into multiple GHSA regional competitions.
- H. The top 15 boats from each regional advance to the state championship. One additional boat will advance from each regional for every 10 boats that compete over a minimum of 100 boats in the regional. Boats will advance to the state championship from the first event in which they qualified. If a boat has already qualified for the state championship, the next eligible boat will advance.
- I. There is no limit of State Championship qualifiers from a member school.
- J. Each boat may have up to four student contestants, only two of which may be in the boat at any one time, assigned from the team's roster.
- K. No student may be assigned to more than one boat.

ELIGIBILITY TO ENTER COMPETITION PLAY AND SUBSTITUTIONS:

- A. All participating students must be submitted for eligibility through the GHSA office. Each school shall enter all GHSA eligible students on the electronic roster. This roster may be revised throughout the regular season and shall serve all roster purposes in these rules.
- B. All member schools participating must abide by the GHSA policy requiring the HEAD COACH to be a certified employee. All Volunteers and Boat Captains are not required to be certified employees.
- C. For more rules, policies, and registration information, please go to ghsa.net/bass-fishing.

**SECTION 4
CHEERLEADING****GENERAL INFORMATION - SUPPORT/SPIRIT AND COMPETITIVE:**

- A. Schools may have only one (1) varsity competitive team. Schools may choose to have any number of support/spirit squad(s) that do(es) not compete.
- B. All cheerleaders (competitive and non-competitive) must be eligible according to academic standards and the transfer rule and must be declared eligible by the GHSA office on the proper eligibility forms. Non-students are not allowed to be part of a sideline cheerleading group either as mascot or "junior cheerleader."
- C. All cheerleaders (competitive and non-competitive) must have a physical examination on file in the school office before they may try out, practice, or perform.
- D. All cheer coaches (competitive and non-competitive) must complete a GHSA Rules Clinic or the school will be fined.
- E. At basketball games, support/spirit squads may perform stunts and/or tumbling that are allowed by NFHS Spirit rules without mats. NOTE: National Federation rules dealing with safety are to be followed in any cheerleading practice or performance.
- F. No "**stomping**" of any kind is allowed in the stands or seating area of the gymnasium. Stomping is restricted to the floor of the gymnasium.
- G. *Taunting of any kind will not be tolerated. Aggressive cheers should not be performed under any circumstances.*
- H. **Cheerleading apparel** is restricted as follows:
 - 1. Male uniform for competition cheerleading will be uniform pants and a top which counterparts those worn by the female teammates. Sideline male cheerleaders may include shorts in place of the pants. Tank tops will not be permitted.
 - 2. Female cheerleaders (sideline & competition) must wear a uniform (skirt or dress) that fully covers the athlete's entire torso. The skirt or dress should cover the briefs, bloomers or any spandex material.
 - 3. All athletes on the same team must wear the same uniform when performing at a game or competition.
- I. **MISCELLANEOUS INFORMATION:**
 - 1. Beginning and ending dates for practice and competition can be found at the front of this publication.
 - 2. Cheerleading teams are allowed to attend camps after the last day of school until August 1st.
 - 3. Spirit Cheerleading season ends after the last day of school.
 - 4. Out-of-season practices may be held in preparation for tryouts only. Once tryouts are complete, no practices may be held until school is out. Practices for tryouts are limited to a maximum of ten (10) consecutive school days per school between February 1 and the last day students are in school. (NOTE: All a school's different level teams must use the same 10-day period.)
 - 5. Eligibility for try-outs:
 - (a) Students must be enrolled at a school in order to try out for that school's cheerleading team. A student may be enrolled in only one school at a time. EXCEPTION: See By-Law #1.45 (g)
 - (b) Enrolled migrant students may try out for a cheerleading team, but may not represent the school at the varsity level during the school year until the migratory sit-out period has ended.
 - (c) Students must meet academic eligibility requirements in order to try out.

COMPETITION RULES:

- A. Cheerleading is a state championship sport in each classification for non-coed teams.
 - 1. Schools are aligned on a regional basis for classes 2A through 7A.

2. Class A will have a Sectional competition.
 3. An open division (all classifications) will be held for coed competition.
 4. All schools are allowed to have only one varsity competition team.
 5. The term "all-girl" refers to all-female teams throughout this section.
- B. All cheerleading competitions must be conducted according to the rules of the "National Federation Spirit Rules Book" and the "GHSA Competitive Cheerleading Manual." The GHSA cheerleading manuals are posted on the GHSA web site. The NFHS Spirit Rules Book may be purchased from the GHSA office.
- C. The maximum number of competitions for a varsity cheerleading team is six (6), plus region and state competitions. In order to be eligible to compete in Region/Sectional/State, a team must compete in at least three (3) sanctioned competitions during the competitive regular season in the division they declare (All-girl or Coed).
1. All competitions must be sanctioned by the GHSA by June 1.
 2. GHSA sanctioned Cheerleading competitions may include member schools only or schools from other states who are members of their state association. This excludes non-member high schools and all middle schools.
 3. Cheerleading exhibitions are not allowed at any GHSA sanctioned invitational tournament.
 4. Cheerleading coaches, certified teachers and Community Coaches may not be involved in any way during the school year with a competition not sanctioned by GHSA that involves cheerleaders on their school's team.
 5. Only coaches who meet the criteria of By-Law 2.50 are eligible to assist teams in the competitive setting. Any others assisting a team in any manner at a GHSA competition will be guilty of illegal coaching.
 6. Groups that are not members of the GHSA may NOT perform at any time before, during, or after the competition without approval from the GHSA office.
 7. Officials will be paid for a minimum of twelve (12) high school teams. (See Appendix F for fee schedule).
- D. Deadlines for the competitive season are as follows:
- | | |
|---|-------------|
| 1. Request Sanction of Regular Season Invitational Tournament | - June 1 |
| 2. Declaration of Non-Coed and Coed | - October 1 |
| 3. Register to enter Regular Season Invitational Tournaments | - August 1 |
| 4. Cancellation of tournaments that do not make | - August 10 |
| 5. Confirmation of tournaments submitted with list of teams competing | - August 20 |
| 6. Submit rosters electronically on app.ghsa.net | - October 1 |
- E. A competitive cheerleading team is comprised of a maximum of sixteen (16) performers.
1. A team mascot (if used) is included as one of the 16 performers.
 2. A school may have a roster greater than 16 performers, and may use any combination of eligible cheerleaders in any competition in each specific division.
 3. All team members must be dressed in the appropriate adopted school uniform that displays the school identification (i.e., letter, monogram, mascot symbol, etc.) NOTE: The mascot is exempt from this uniform rule.
- F. The competitive area is a 42'x42' blue cheerleading mat, and the routine must be performed within the boundaries of the competitive area. Mats must have a minimum thickness of 1 3/8 inches.
1. A full set of cheerleading mats (42'x42') must be used in all competitions including invitationals, regional, and state competitions. (Directions for proper placement of mats can be found in the GHSA Cheerleading Manual).
 2. Only approved GHSA coaches, competitors and officials are allowed in the competitive area.
 3. Only team members may act as spotters.
 4. Non-competitors (i.e., alternates, coaches) may not assist during the routine.
 5. All mats should be placed on the floor horizontally facing the judges. Center of the mat should be marked with tape. The floor will be considered out-of-bounds.
 6. It is recommended, but not mandatory, that cheerleaders practice stunting on one or more 6'x42' cheerleading mats prior to performing stunts in a team routine.
 7. Middle school and high school events must be considered separate events. Middle schools may not be placed in rotation with high school teams. The arena should be cleared between the two events and reopened for the sale of tickets prior to the beginning of the high school competition.
- G. The competitive routine must include both cheer and dance.
1. Tumbling skills are permitted only within the body of the routine.
 2. Tumbling skills may not be performed as a part of the entrance to or exit from the competitive area.
 3. Poms are the only props allowed in a competitive routine.
- H. The length of the routine shall be a maximum of two minutes and thirty seconds (2:30), timed by an official timer.
1. The routine must begin within thirty (30) seconds of the head judge's signal. Failure to do so shall result in a five-point deduction for delay of the meet.

2. Teams may begin from any position inbounds, and the time of the routine will begin with the first word, musical sound, or movement of any team member.
 3. The routine ends on the last word, musical sound, or movement of any team member.
 4. If the routine ends with a pyramid, the final dismount is not timed.
 5. There is no minimum/maximum time limit for music in the routine.
 6. If the routine is longer than the allotted time, a deduction of five (5) points for every fifteen (15) second period or portion thereof will be assessed.
- I. Each school is responsible for the preparation and presentation of the music in its routine, and for complying with all copyright laws.
1. The principal must review the music to be used in the school's routine, and must stipulate that the music is in good taste for high school students and acceptable for the morals of their community.
 2. Each school must furnish a high-quality version of their music.
 3. The coach or team representative is responsible for starting and stopping the music during the competition.
 4. Schools are responsible for furnishing their own equipment and music for use in the practice/warm-up area.
- J. Winners in the competitions will be determined by the highest point total from the judges. The rules for breaking ties are explained in detail in the Competitive Cheerleading Guide. Ties will be broken by culminating the scores of jumps, tumbling, stunts and pyramids and subtracting the deductions.
- K. Prior to any disqualification for a rules violation, the Head Judge must call a conference at the conclusion of competition, and the majority of the judges must agree the violation occurred.
- L. **Judges' decisions are final.**
- M. In all competitions, all judges must be registered with the GHSA and must have completed the GHSA training program.
1. A minimum of five judges and two safety judges will be used at all competitions, plus scorers and timer.
 2. Judges must be secured by the GHSA office.
- N. Five percent (5%) of the gross receipts from all invitational competitions shall be paid to the GHSA office.

REGION/SECTIONAL COMPETITION:

- A. Each school is allowed to enter one team in the region competition for the all-girl division. There are no region competitions in Class A nor in the coed division.
1. Entry notification and roster must be sent to the Region Secretary (or GHSA Office for Class A and Coed) according to deadline dates.
 2. **All** rosters must be submitted to the GHSA office **electronically**. NOTE: Substitutions may be made at any time after the roster has been submitted.
 3. The principal must approve the music being used.
- B. Teams will advance to the state competition as follows:
1. All teams (2A through 7A) will attend Sectionals in combination with the region competition. The top sixteen (16) teams will advance to the finals.
 2. Class A teams will compete at a Sectional Tournament to determine the top 16 teams to advance.
- C. A panel of judges to be used at invitationals, region, sectional, and state competitions will consist of seven (7) judges to make up three (3) panels. More than one set of judges may be used if necessary.
- D. Five percent (5%) of the gross receipts from the region competition must be paid to the GHSA office.
- E. Region/Sectional competitions will be held on Saturday, November 5, 2022. The region secretaries involved with each region shall determine the procedures for finances, awards, number of judges, etc. The sites can be found on the GHSA web site.

COED COMPETITION:

- A. There will be a separate Open Meet competition (all classifications) for Coed teams.
1. Having one or more males constitutes a coed team.
 2. Once a team has declared the Coed division of competition, they will not be able to switch to another division without approval from the GHSA.

3. Coed teams and non coed teams may not compete against one another in the regular season.
4. The Coed Sectionals will be held on Saturday, November 5, 2022, at Ola High School. The top sixteen (16) teams will advance to the State Championship.
5. The Coed State Championship will be held on Saturday, November 12, 2022, at the Macon Centreplex. NOTE: The GHSA office has the authority to make adjustments in the Coed format depending on the number of teams declared Coed.

STATE COMPETITION:

- A. The Cheerleading State Championships will take place **November 11-12, 2022, at the Macon Centreplex**. There will be two sessions per day and the arena will be cleared and cleaned between sessions. If attending, please make sure your ticket is for the correct session. The exact schedules for the two days will be published on the Cheerleading page of the GHSA web site (www.ghsa.net) prior to the beginning of the event.
- B. Flash photography of **any** kind (cameras, cell phones, iPads, etc.) will **not** be allowed during the competition.
- C. **Finances:** Net receipts will be divided with the GHSA receiving 40% and 60% divided among the participating schools. Each participating team will be allowed **free admission** for a maximum of 20 cheerleaders, two coaches and one music person.

GAME DAY COMPETITION RULES

- A. **Game day cheerleading** is a coed state championship sport with as many divisions as deemed necessary by the number of teams competing. Schools are allowed to have one (1) varsity team in this competition. The **State Championship** will be held on a date and at a site to be determined. Exact information will be published on the GHSA web site (www.ghsa.net) prior to the event.
- B. The Game Day competition team can be comprised of any combination current sideline and competition cheerleaders at that school.
- C. The maximum number of Game Day competitions is three (3) in addition to the State Game day competition in February.
 1. All Game day competitions must be sanctioned by the GHSA by November 1.
 2. Judges will be contracted through Varsity.
 3. Cheerleading coaches, certified teachers and Community Coaches may not be involved in any way during the school year with a competition not sanctioned by the GHSA.
- D. A team should have a *minimum of seven (7)* and a maximum of 24 participants.
- E. Traditional game day uniform is required.
- F. The use of signs, poms, flags, and megaphones are allowed and encouraged for performances. The use of additional props is not permitted.
- G. **Music**
 1. Schools must use recorded marching band music for the fight song and Band Chant categories.
 2. All use of music must be compliant with U.S. Copyright Laws.
 3. Neither The GHSA nor Varsity Spirit is responsible for obtaining any necessary permission or licensing of the recorded music used by a school team during the course of the GHSA Game Day Invitational.
 4. Fight Song /Band Music
 - (a) If a high school marching band records their school's original fight song, they will need to get the school's permission to use the song and recording
 - (b) If a team legally acquires a recording of a band playing a popular recording from an authorized provider (iTunes, Amazon, etc.), the song can be used as long as no edits are made to the music (other than for timing purposes).
 - (c) A team cannot use a recording of their band playing a popular song (a cover) or other music without the proper permissions or the band becoming a preferred provider.
- H. Schools will be judged in the following categories:
 1. Band chant
 2. Situational response
 3. Crowd Leading
 4. Fight Song

**SECTION 5
CROSS COUNTRY****GENERAL INFORMATION:**

- A. Cross Country is a team championship sport for boys and girls that is held on a Region basis for ALL classes.
- B. The distance for both boys and girls Cross Country will be approximately three (3) miles or five (5) kilometers.
- C. All GHSA Cross Country meets will be run in accordance with the rules as published in the National Federation Track and Field and Cross Country Rule Book with any exceptions as may be found in this section.
- D. The maximum number of competition dates in Cross Country shall be 10, exclusive of region and state competitions.
 - 1. It is permissible for coaches to use "split squads" during the regular season. However, the use of split squads will count as two (2) of that school's maximum allowed competitions.
 - 2. Any meets involving eight (8) or more schools must be approved by the GHSA Executive Director in accordance with the process found in By-Law 2.64.
 - 3. No individual athlete may compete in more than one (1) race per day.
- E. All competitors shall have legal uniforms in compliance with GHSA and NFHS uniform rules.
- F. Beginning and ending dates for practice and competition can be found at the front of this publication.
 - 1. There will be no interscholastic practices in Cross Country.
 - 2. Athletes may run in non-GHSA events as long as they do not represent their school, do not wear the school uniform, and are not coached at the event by their high school coach ("unattached runner").
 - 3. Communication through electronic devices is not allowed during competition.
 - 4. The State Championship course is off limits beginning August 1 of each year until all state championships are concluded (unless a GHSA sanctioned/scheduled meet is run during the regular season on the course and a school participates in the event). Course preview and practice times for all state championship participants are TBD and will be posted on the GHSA web site at a later date.

REGION COMPETITION:

- A. The initial team roster of twelve (12) runners must be submitted **electronically** no later than October 21, 2022. Changes to the roster may be made until the deadline established by each region.
 - 1. Coaches are to list runners in priority order: the top seven (7), then the selected five (5) alternates.
 - 2. Region Secretaries may download their region's schools' rosters after this submission.
- B.
 - 1. Four (4) teams in each Region (classes A through 7A) will advance to the State Meet.
 - a. All qualifiers must be determined by Saturday, October 29, 2022 (All Classes).
 - b. Region qualifiers must be sent by **electronic submission** to the GHSA Office within 48 hours of the completion of the Region Meet; but not later than 9:00 a.m., on Monday, October 31, 2022.
 - 2. The first six (6) individual finishers from each region in ALL classes will qualify for the State Meet regardless of whether they are a member of a qualifying team.
- C. Cross Country rosters should list twelve (12) contestants. No replacements may be made in the list submitted to the Region Meet Director. Any seven (7) of the twelve (12) may run in the Region or State.

STATE MEET:

- A. The State Cross Country Meet for all classifications will be held at Carrollton High School on the dates indicated on the Beginning and Ending Dates table at the front of this publication. The running order may be found on the Cross Country page of the GHSA web site (www.ghsa.net).
 - 1. **There will be an admission fee posted on the GHSA web site for all spectators.**
 - 2. The Meet Director will be **Craig Musselwhite**, 678-910-3022.
 - 3. Awards will be presented at the conclusion of each classification.
- B. A minimum of five (5) and a maximum of 12 runners will be allowed **free admission** for each team that qualified. Individual qualifiers also will be admitted free. Coaches will be admitted on their GHSA coaching passes.
 - 1. The first five (5) finishers for each team will count for the total team score.
 - 2. Each team must begin and end the competition with a **minimum** of five (5) runners. If, for any reason, a qualifying team does not have five (5) runners, that team will not be allowed to compete in the State Meet.

3. Each member of a qualifying team, as well as individual qualifiers from each region, is considered to be in contention for individual honors.
4. Practice times and Team Instructions for the state meet will be announced on the Cross Country page of the GHSA web site (www.ghsa.net) approximately one month prior to the State Meet.

SECTION 6 DANCE

GENERAL INFORMATION:

- A. Dance is a co-ed state championship sport with as many divisions as deemed necessary by the number of teams competing.
- B. Beginning and ending dates for practice and competition may be found at the beginning of this publication.
- C. All dancers must be turned in on the proper eligibility forms and ruled eligible by the GHSA office.
- D. All dancers must have a physical examination on file in the school office before they may try out, practice, or perform.
- E. All dance coaches must complete a GHSA Rules Clinic or the school will be fined.
- F. Tryouts may be held in the spring any time after the state competition is completed and before the end of school. Tryouts may be held again after school begins in the fall. Tryout can be held for 10 consecutive days.
 1. Students must be enrolled at a school in order to try out for that school's dance team. A student may be enrolled in only one school at a time.
 2. Enrolled migrant students may try out for a dance team, but may not represent the school at the varsity level during the school year until the migratory sit-out period has ended.
 3. Students must meet academic eligibility requirements in order to try out.
- G. Dance teams are allowed to attend camps after the last day of school until Aug. 1.

COMPETITION RULES:

- A. All Dance competitions must be conducted according to the rules of the National Federation Spirit Rules book and the GHSA Dance Competitive Dance Manual. The Dance manual is posted online on the GHSA web page (www.ghsa.net). The NFHS rules book can be purchased from the GHSA office, online at Amazon.com, or from the NFHS site.
- B. Schools are allowed to have only one (1) varsity competition team.
- C. All teams must consist of at least 7 dancers, but not more than 20 dancers. If the number of competitors falls below the number required to compete in that division due to injury or illness, the team will be allowed to compete in the division they have entered without penalty. Written documentation needs to be supplied to the meet manager.
- D. A school may have a roster greater than 20 performers, and may use any combination of eligible dancers in any competition in each specific division. A team's second routine must be comprised of at least half +1 participants of the original performers.
- E. All team members must be dressed in appropriate uniforms/costumes approved by their school. All NFHS rules for apparel must be applied. No hard jewelry is permitted.
- F. Dance apparel is restricted as follows:
 1. When standing at attention, apparel must cover the midriff.
 2. Any area that is visible below the bra line must be covered by material.
 3. Dancers must wear footwear that is appropriate for the activity. (see NFHS rulings)
- G. The maximum number of competitions for a varsity dance team is six (6), plus the state competition. All dance teams must complete in at least two (2) GHSA sanctioned competitions before state.
 1. All competitions must be sanctioned by the GHSA by October 1.
 2. GHSA sanctioned Dance competitions may include member schools only or schools from other states who are members of their state association. This excludes non-member high schools and all middle schools.
 3. Dance coaches, certified teachers and Community coaches may not be involved in any way during the school year with a competition not sanctioned by the GHSA that involves dancers on their school's team.

4. Only coaches who meet the criteria of By-Law 2.50 are eligible to assist teams in the competitive setting. Any others assisting a team in any manner at a GHSA competition will be guilty of illegal coaching.
 5. Groups that are not members of the GHSA may NOT perform at any time before, during, or after the competition without approval from the GHSA office.
 6. Invitational competitions should have a minimum of 12 high school routines participating in the event. Officials will be paid for a minimum of 12 high school teams. (See Appendix F for fee schedule)
 7. Middle school and high school events must be considered separate events. Middle schools may not be placed in rotation with high school teams. GHSA judges may be hired as officials for middle schools or solo, duets, or trio events; however, it is not mandatory.
- H. Deadlines for the competitive season are as follows:
1. Request Sanction of Regular Season Invitational Tournament Oct. 1
 2. Register to enter regular season invitational tournaments Oct. 15
 3. Submit rosters for "Notification of Entry" online Feb. 1
- I. The competitive area is the basketball court inside the boundary lines.
1. Only approved GHSA coaches, competitors, and officials are allowed in the competitive area.
 2. Non-competitors may not assist during the routine.
- J. The length of the routine shall be a maximum of two (2) minutes timed by the tech judge.
1. The routine must begin within 30 seconds of the cue, "Welcome to the floor, _____ High School." Failure to do so could result in a five-point deduction for delay of meet.
 2. Teams may begin from any position inbounds, and the time of the routine will begin with the first note of the music.
 3. The routine ends with the last note of the music or choreographed movement.
 4. If the routine is longer than the allotted time, a deduction of 5 points for every 15 seconds will be deducted.
- K. Each school is responsible for the preparation and presentation of the music in its routine, and for complying with all copyright laws.
1. Music should be free of any explicit language or violent implications can result in a disqualification.
 2. Each coach is responsible for providing a high quality version of their own music for the DJ.
 3. Principals have the responsibility of approving the music chosen for performances. Notation is provided on the dance rosters page for each school (found in MIS site)
- L. Winners of the competition will be determined by the highest point total from the judges across all styles of dance.
1. A winner for each style of dance will be named. The following styles of dance will structure the categories:
 - a) Hip Hop
 - b) High kick
 - c) Jazz/Lyrical
 - d) Pom
 2. An overall winner for each classification will be named. Classifications, depending on size of school, will be determined based on number of teams who have entered in each classification.
 3. Prior to any disqualification or noticeable deduction for a rules violation, the Head Judge must call a conference at the conclusion of competition, and the majority of the judges must agree the violation occurred.
- M. Judges' decisions are final.
- N. In all competitions, all judges must be registered with the GHSA and must have completed the GHSA training program.
1. A minimum of 5 judges, including 1 tech judge will be used at all competitions.
 2. Judges must be secured by the GHSA office.
 3. 5% of the gross receipts from all invitational competitions shall be paid the GHSA office.

STATE COMPETITION:

- A. The State Championship will be held at a site to be determined. In each session, teams will rotate by divisions. A total of six (6) judges will be used per division.
- B. No flash photography of any kind will be allowed during the competition.
- C. Finances: Net receipts will be divided with the GHSA receiving 40% and 60% divided among the participating schools. Each participating team will be allowed free admission for a maximum of 24 dancers, 2 coaches and 1 music person.

SECTION 7 FOOTBALL

REGULAR SEASON:

- A. Football is a state championship sport in each classification, and schools are aligned on a Region basis.
1. In the reclassification year (see Article III of the GHSA Constitution), all regions will meet after reclassification has been finalized by the Executive Committee and after any sub-divisions have been finalized and cross-over games have been arranged.
 - (a) No schedule is valid until the plans of all regions have been approved.
 - (b) Plans for determining the ranking and breaking ties of the four region representatives for playoffs must be drawn by the regions before the football season begins.
 - (c) All contracts should be drawn to coincide with the two-year reclassification period and show the day, date, time, opponent and game site.
 2. Each school must file its football schedule with the GHSA Executive Director no later than **March 1**, each year.
 - (a) The schedule must show the day, date, time, opponent, and game site.
 - (b) The GHSA Executive Director must be notified concerning any changes made to the schedule after the submission date.
 - (c) Any changes made for a region game must be made prior to the date for beginning football practice.
 - (1) Any change of opponent after that date will cause the game not to count as a sub-region or region game.
 - (2) Limitations regarding schedule changes shall also be construed to prevent a school from canceling a game when such a game could affect the region and/or sub-region standings.
 - (3) A change in date or time with the same opponent is not considered a change affecting region or sub-region status.
 - (d) Contracts with officials for varsity games must be signed by June 1 each year, and copies of the schedules must be submitted to the proper officials association(s).
 - (e) Each school must have a signed contract for its football scrimmage, and a school may be fined for failure to comply with that contract.
 - (f) There may be a \$250 penalty for schools that change their football schedules after June 1. (NOTE: Appeal procedures are available.)
- B. Schools must enter team schedules, rosters and weekly game/meet results during the season on MaxPreps and be responsible for updates as needed. This information will support statewide media, event programs, broadcasts partners and GHSA Region Standings. Teams are encouraged to maintain team/individual statistics on MaxPreps.
- C. All GHSA football games must be played according to the rules as published by the National Federation of State High School Associations, and any other rules found in this section.
- D. The number of football games allowed (excluding state playoffs) is ten (10).
1. No varsity football game may be played on a night preceding a school day without specific authorization from the GHSA Executive Director.
 2. Only one football game may be played per week (the schedule week is a traditional week - Sunday through Saturday) by the same level team (varsity/sub-varsity) except in the case of make-up games due to special circumstances that have been approved by the Executive Director.
 3. A single sub-varsity game played on a night before a school day may start no later than 6:30 p.m. The first game of two sub-varsity games played on a night before a school day may start no later than 5:30 p.m.
 4. Football players playing on both the varsity and one sub-varsity team are limited to six quarters of competition in any seven (7) calendar day period beginning with the date of the varsity game. The penalty for violation of this rule will be forfeiture of the game in which the violation occurred and a \$1,000.00 fine.
 5. The football season ends for a team or individual when that team, having completed its regular-season schedule, is eliminated from playoff competition or wins the State Championship.
 6. All JV games will be played with 10-minute quarters. If there is an 8th grade student(s) on the JV team, then 8-minute quarters must be played.
 7. Schools may play 10 Mini Games at the JV level, instead of seven (7) regular games, the combination of which can not exceed the current 28 quarters allowed for sub-varsity play. Each Mini Game will be one-half of a regular game. Four (4) schools would meet at one site, with two schools playing a half and then the other two schools playing a half. Officials would be paid the regular fee for a single game.
- E. Football **practice** may begin five consecutive weekdays prior to August 1st (**NOTE: Schools are reminded of the special Heat and Humidity Acclimatization restrictions listed in By-Law 2.67-b pertaining to football**).
1. In the first five days of practice for any student, the practice may not last longer than two (2) hours, and the student may wear no other protective football equipment except helmet and mouthpieces. **NOTE:**
 - (a) The time for a session shall be measured from the time the players report to the practice or workout area until they leave that area.

- (b) During acclimatization practices, teams may hold a walk-through as long as there is at least a two-hour break between the two activities.
 2. Beginning August 1st, any student may practice in full pads and may practice a maximum of two (2) times in a single calendar day under the following stipulations:
 - (a) A student must have participated in five conditioning practices wearing no other protective football equipment except helmet and mouthpieces before being allowed to practice in full pads.
 - (b) In a single calendar day:
 - (1) No single session may last longer than three (3) hours.
 - (2) If two (2) practices are held, the TOTAL time shall not exceed five (5) hours.
 - (3) There must be at least a three-hour time of rest between sessions if two (2) sessions are held.
 - (4) There may not be consecutive days of two-a-day practice sessions. All double-session days must be followed by a single-session day or a day off.
 - (5) A walk-through may not be held on days when two practices are conducted.
 - (c) These procedures are derived from recommendations created by the Inter-Association Task Force for Preseason Secondary School Athletics Participants in the paper "Preseason Heat-Acclimatization Guidelines for Secondary School Athletes."
 3. **Full contact** should be limited during practices as well as during activity outside of the traditional fall practice. (**Note:** No limitation is placed on activities defined below as "AIR, BAGS or CONTROL" contact.)
 - (a) For purposes of this by-law, the following definitions shall apply: **AIR** - Players run a drill unopposed without contact; **BAGS** - Players run a drill against a bag or another soft-contact surface; **CONTROL** - Players run a drill at assigned speed until the moment of contact and one player is pre-determined the "winner" by the coach. Contact remains above the waist and players stay on their feet; **THUD** - Players run a drill at competitive speed through the moment of contact with no pre-determined "winner." Contact remains above the waist, players stay on their feet and a quick whistle ends the drill; **LIVE ACTION** - Players run a drill in game-like conditions and is the only time that players are taken to the ground; **FULL CONTACT** - Contact which meets the definition of Live Action or Thud.
 - (b) **Pre-Season & Spring Practice & Summer Contact Camps:**
 - 1) Full contact shall be allowed in no more than 2 consecutive practice days per week;
 - 2) Full contact during practice shall be limited to not more than 45 minutes per day;
 - 3) Full contact during practice shall be limited to not more than 135 minutes per week; and
 - 4) During any twice-daily practice, only one session per day shall include full contact.
 - 5) In Summer Contact Camps, the only form of Full Contact allowed is **Thud**.
 - 6) Schools will be limited to attending no more than two (2) padded Team Contact Camps per summer: one in June for two days during a three consecutive day period, and one in July for two days during a three consecutive day period (no more than four (4) days total). There must be at least four (4) participating schools or the camp cannot be held.
 - (c) **Regular & Post Season Practice:**
 - 1) Full contact during practice shall be allowed in no more than three (3) practice days per week;
 - 2) Full contact during practice shall not be allowed on more than two (2) consecutive days;
 - 3) Full contact during practice shall be limited to not more than 30 minutes per day;
 - 4) Full contact during practice shall be limited to not more than 90 minutes per week.
 - (d) **Written Practice Plans:** A written practice plan in compliance with this by-law shall be prepared in advance by the head coach prior to every practice and maintained by the school for a period of at least twelve (12) months. Such practice plans shall be made available to the GHSA upon request.
 - (e) **Violations:** The penalty to be imposed upon any member school found to have violated this by-law in any substantial manner shall be as follows:
 - 1) First Offense: A fine of not less than \$500 nor more than \$2,500 per violation at the discretion of the Executive Director.
 - 2) Second Offense: The school shall be placed on probation and shall not be eligible to participate in post season play.
 4. From the end of school in the spring until the first day of preseason practice, players may wear no other protective football equipment except helmets and mouthpieces for all voluntary workouts and passing league games. Institutional heat policies are also in effect for voluntary workouts supervised by school personnel.
 5. All applications for team summer camps at GHSA schools or other facilities must be submitted to the GHSA office by May 1, and all subsequent correspondence to complete the application must be completed by May 15. Coaches for these players **must** verify that the participants have had acclimatization practices for five days immediately preceding the camp.
 6. *Equipment in summer (contact) camps is limited to helmets and mouthpieces, shoulder pads, and compression-style shorts (girdles) that have thigh pads and/or girdle pads. **NO FOOTBALL PANTS OR KNEE PADS CAN BE WORN AT ANY TIME DURING SUMMER.***
- F. All varsity football games shall be played with a minimum of five (5) officially-dressed field officials who are registered under the GHSA plan for registering officials. The officiating crew also shall have an electric clock operator whose only duty is to operate the game clock.

1. In all games, the host school must provide some type of dressing facilities for officials at or near the game site that can also be used to hold the pre-game conference.
 2. During the regular season, the host school is responsible for providing a crew to work the sideline chains. These individuals must be responsible adults.
 3. In accordance with By-Law 2.71-c, the host school is responsible for providing security escorts for the officials at all regular season and playoff games.
- G. The following regulations are in place for GHSA football games.
1. All GHSA football games will have a twenty (20) minute halftime **unless** both school administrators agree in writing by Thursday of game week to shorten the halftime period to fifteen (15) minutes, or unless NFHS weather-condition rules supersede.
 2. Artificial noisemakers, except airhorns and whistles, are legal at football games. Illegal noisemakers are to be confiscated when visible and/or used.
 3. Bands are not to play during live-ball situations.
NOTE: This includes the situation in which there is no timeout and the teams are in a huddle.
 - (a) If, during a football game, a team claims interference with communications due to band noise, the Referee shall give a warning to one or both head coaches and the bands must cease playing.
 - (b) If there is a second offense by the same school's band, an unsportsmanlike conduct penalty will be imposed against that school's team.
 4. During the state playoff series, a crew of seven (7) field officials will be used.
 5. Fans shall not be allowed to enter the playing field either before the game or at halftime to form a tunnel for players to run through.
 6. In the regular season, a school may utilize a visible 25/40-second clock as long as the time is visible on both ends of the field and the clock is operated by a paid game official.
- H. **Spring Football Practice** for each school year may be held from February 1 until the end of the school year, consisting of 10 practices spaced over 13 consecutive school days. (**Note:** Spring and fall scrimmage games and jamborees are considered to be extensions of practice as far as eligibility rules are concerned.)
1. Schools must choose by February 1 each year as to whether they will have spring football practice.
 - (a) If a school conducts spring practice, all preseason practice schedules remain the same (See item D. 3(b) for a listing of contact limitations).
 - (b) If a school chooses not to conduct spring practice, the team will be allowed to hold an additional (second) scrimmage game or controlled scrimmage against another school, or a jamboree with three teams playing a half against the other two teams, in the fall.
 - (c) Schools hiring a new coach may appeal to the Executive Director to change an earlier decision.
 2. Schools that have scrimmage game/games canceled or suspended by inclement weather will have the following options:
 - (a) Play on another night during the same calendar week (defined as Sunday to Saturday.) Sunday play is not allowed.
 - (b) Play during another week when the school does not have another scrimmage or regular season game scheduled. (**Note:** No scrimmage game may be played after a school's first varsity contest.)
 3. Schools which participate in Spring Practice are allowed to play a spring game/scrimmage with another school, or a jamboree with three teams playing a half against the other two teams, in place of their last (10th) practice of the spring (**Note:** Restrictions under by-law 2.62 (f-2) & (f-3) will apply).
 4. A football coach on the payroll of one school district, but under contract to another school district for the following year, may help with spring football at the new school, if the arrangement is satisfactory with both systems.
 5. Students enrolled in grade 8 in a middle school or junior high school that is a feeder school to the high school may participate in Spring Practice at that high school.
 6. No student (eighth grade or above) may participate in more than ten (10) days of Spring Practice, and may participate for no more than one (1) school.
- I. In case of a game being terminated in the first half (suspended game), By-Law 2.93-c must be followed.
NOTE: All varsity football games must be played to completion. Any interrupted game must be replayed from the point of interruption. The school that is behind in the score may choose not to continue the game and the score will be recorded as it was at the point of interruption. NOTE: Teams will not be allowed to play two football games in the same week, except when making up a suspended game with the permission of the Executive Director.
- J. During warmups before the game and at halftime there shall be a division of the field, and neither team shall enter the other team's portion of the field. That division shall be as follows:
1. Before the game: each team shall occupy the space from their own 45-yard line to the endline of their goal line. Neither team shall occupy the area between the 45-yard lines.

EXCEPTION: When kicking, each team shall have the area between the opponent's 45-yard line and kicking team's end zone in the side zone area on the same side of the field as their bench. Kickers shall kick toward their end zone.

2. Re-entering the field before the game and at halftime: each team shall have the portion of the field between their bench and the near edge of each goal post - i.e., field divided lengthwise.
- K. The GHSA Overtime Procedure will be used whenever **two schools are tied** at the end of regulation play, **regardless of the classification of each team**.
1. This procedure involves giving both teams opportunities to score from the 15-yard line until the tie is broken.
 2. Overtime games are exempt from the 11:30 p.m. GHSA curfew.
- L. When there is a **competitive imbalance between teams**, the coach of a team trailing by 30 points or more at halftime may choose to play the second half with a running clock. Quarters will remain at 12 minutes.
1. If the coach does not exercise the option of the running clock, the third quarter will be played with regulation timing.
 2. If the point differential reaches, or remains, 30 or more points during the third quarter, the clock will still run according to rule for the remainder of the third quarter, but the fourth quarter will have a running clock mandated.
 3. A running clock means the clock will be stopped only:
 - (a) after a touchdown and until the ball is kicked off.
 - (b) during deliberations for penalty administration.
 - (c) during charged timeouts or official's timeouts
 4. A game that is reduced in time by use of a running clock shall constitute a "completed" game to meet other by-law considerations.

GHSA OVERTIME PROCEDURE

1. There will be a 3-minute intermission between the end of regulation play and the coin toss to start the overtime procedure.
2. The captains will meet for the coin toss, and the winner may choose one of the following:
 - (a) Be on offense first
 - (b) Be on defense first
 - (c) Choose the end of the field on which to play
3. The ball is placed on the 15-yard line and the offense keeps the ball until:
 - (a) The ball is turned over on downs (NOTE: The team on offense can gain a first down.)
 - (b) The defense gains possession of the ball (ball is dead immediately)
 - (c) The offense scores a touchdown or field goal
 - (d) The offense misses a field goal
4. After the first offensive team completes its possession, the opposing team gets its opportunity from the 15-yard line.
5. If the game remains tied after each team has had an offensive possession, there will be a 2-minute intermission and the team that lost the first coin toss has the first option for the second possession.
6. For each additional overtime period (i.e., an offensive possession by each team) the original coin toss options are alternated.
7. Beginning with the third overtime period, a team must attempt a 2-point try after a touchdown.
8. Each team is allowed one timeout per overtime period. No timeouts may be carried over from regulation play.
9. Penalty enforcement is handled the same way in overtime as in regulation play.

REGION PROCEDURES:

- A. To qualify for championship consideration in a region or sub-region, a school must play a minimum number of games with schools in its region as determined by the region and the GHSA Reclassification Committee.
1. In any region or sub-region in which there are six (6) or less schools, if each school plays two (2) games, both games will count as region games. In any other case where two (2) schools have played more than once during the regular season, only the first game scheduled shall count in the region standings.
 2. Any school playing a non-region or non sub-region schedule (i.e., not in consideration for a region championship) will not have its games count for or against any opponent.
- B. The GHSA Executive Director, upon presentation of evidence to show that a school can not secure the required number of games in a region or sub-region, may authorize each school to substitute any number of games in any classification or region to qualify for championship consideration. NOTE: A request for substitution of game(s) must be submitted prior to September 1.

- C. Four (4) representatives from each region will enter the post-season playoffs.
1. Each region will determine the way to designate the four representatives and their placement in the region (i.e., first place, second place, third place and fourth place).
 2. In case there is a **tie between teams** and the region does not have a different written tie-breaker plan, the following procedures will be used (**NOTE: The use of mini-games to break ties is no longer allowed**):
 - (a) If two teams tie, and one of the teams has defeated the other in a regular schedule region game, the winner shall have the higher placement. Three or more tied teams shall first be considered in sets of two-way ties. NOTE: If three or more teams are tied, use head-to-head record among the tied teams to break ties for seeding. Only utilize points to break ties among teams when the ties are a perfect triangle, with each team having the same record among the tied teams.
 - (b) If two teams tie and the tied teams split or have not played each other in a region game (no round robin), the team with the greater sum of winning margin using the following Point System, shall have the higher placement.
 - (c) If more than two teams remain tied after applying "a" above, the following Point System shall be used to eliminate all but two teams. Tabulate the sum of the winning margins of each team's region games as indicated in the following:
POINT SYSTEM:
 - (1) If the margin of victory is more than 13 points, only 13 points shall count.
 - (2) Losses shall be tallied as 0 (zero) points.
 - (3) Forfeited games: Offended teams shall receive 13 points when tabulating the sum of the winning margins for breaking region ties.
 - (d) After tabulating the sum of the winning margins, all teams except the two (2) with the greater sums shall be eliminated, and the selection process shall begin again with paragraph "a" above.
 - (e) If teams remain tied after the above procedures are applied, the playoff representatives shall be determined by a coin toss. The coin toss, supervised by the REGION OFFICERS, shall be used to eliminate all but two (2) teams, and then the process shall begin again with paragraph "a" above.
 - (f) In the event the region is eligible for more than one playoff representative, each subsequent playoff representative shall be chosen by reapplying the procedure above.
 - (g) All regions will use the adopted procedures for breaking ties that occur in the order of standings when round robin schedules are completed.

STATE PLAYOFFS:

- A. All rounds of games after the end of the regular season are considered part of the state playoff structure.
1. In **ALL Rounds** except the Finals, the higher-seeded team will host. In the **Quarterfinal Round**, if both teams have the same seeding, a "universal" GHSA coin flip (see By-Law 4.39), will determine the host site.
 2. In **ALL Rounds** except the Finals, game date and time will be set by mutual agreement. If that agreement is not possible, the GHSA Executive Director will finalize the arrangements. If an administrator does not attend the meeting at which the playoff contract is negotiated, the coach shall be authorized by the Principal to negotiate and sign a binding contract.
 3. In **ALL Rounds** except the Finals, one half of all permanent and temporary seats shall be offered to the visiting team, and it is the responsibility of the home team to regulate the seating so as to guarantee designated seating to the visiting team's supporters.
 4. In **ALL Rounds** except the Finals, there should be adequate parking space with a recommendation of one (1) space for every four (4) spectators.
 5. In **ALL Rounds** except the Finals, security shall be provided at the site in the ratio of at least one officer per 500 spectators.
 6. In **ALL Rounds** except the Finals, facilities for officials to dress, shower, and/or hold meetings shall be made available at the site or nearby.
 7. It is **mandatory** to have emergency medical personnel at the site of **all football playoff games**.
 8. **Playoff ticket prices** are as follows (NOTE: Only babies in arms do not need a ticket.):

First Round:	\$8.00 (All classes)
Second Round:	\$10.00 (All classes)
Quarterfinals:	\$12.00 (All classes)
Semifinals:	\$15.00 (All classes)
Championships:	TBA

 - (a) **Through the semifinal round**, high school level students of the participating schools may purchase presale tickets at a discount of \$2 off regular price. Students may purchase one (1) ticket each from their schools at this discounted price.
 - (b) **Certified staff members** who work at the participating schools **ONLY** will be allowed free admission through the semifinal round with proper identification.
- B. In order to host a **Semifinal Round** playoff game, a school must meet the following site requirements:

1. Permanent seating requirements:
 - (a) One seat equals 24 inches in width. Exception: each theatre style seat (with back and arm rests) will count as one seat regardless of the width of the seat.
 - (b) All seats must be at least 15 feet from playing field.
 - (c) Total seating capacity for each class is as follows:
 - Class A.....2,000 seats
 - Class 2A.....2,500 seats
 - Class 3A.....3,000 seats
 - Class 4A & 5A.....4,000 seats
 - Class 6A & 7A.....6,000 seats
 - (d) Each principal of a school in the playoffs shall certify that the school stadium meets or does not meet football playoff requirements. If a principal certifies such information falsely, then \$2,000.00 of such school's share of the gate receipts of the contest held in the non-complying stadium shall be paid to the opposing team.
 - (e) The GHSA will mediate with both teams involved when there are concerns about the safety of a venue in regard to seating limitations.
 - (f) The **higher-seeded** team in the **Semifinal Round** will be the **host team**. If they do not have a stadium that meets GHSA minimum standards, they may secure a suitable site.
 - (g) The **higher-seeded** team may use portable seating to bring its home stadium seating capacity up to the GHSA minimum in order to host the game as long as (NOTE: Any portable seating brought in for games in earlier rounds also must meet these specifications):
 - (1) The seating meets the standards of the industry and is installed by professional installers.
 - (2) All seats provide clear sight lines to the field of play.
 - (3) No costs for the temporary seating are taken out of game receipts.
 - (4) Seating requirements for a semifinal game may be waived upon written agreement of the Principals of the competing schools that the host's stadium will be adequate and with the approval of the GHSA Executive Director.
 - (h) If both teams in the **Semifinal Round** have the **same seeding**, the "universal" GHSA coin flip (see By-Law 4.39), will determine the host team under the following procedure:
 - (1) The winner of the coin flip will have the opportunity to bring its stadium up to specifications as outlined in item "g" above, or to secure a suitable stadium (if their stadium does not meet GHSA specifications.)
 - (2) The winner of the coin flip will have until 4:00 p.m., on the Monday before the game to commit to bringing their stadium up to specifications or to secure a suitable site.
 - (3) If the winner of the coin flip can't secure a suitable site, or bring theirs up to specifications, the opponent will then be awarded the home game, assuming their stadium meets requirements.
 - (4) If neither school meets or exceeds GHSA standards, and the winner of the coin flip can't find a suitable stadium or bring its stadium up to the specifications, the Executive Director will designate a neutral site.
 - (i) The GHSA will provide a supervisor at all semifinal games.
 2. The stadium shall have adequate working space in the **press box** as follows (NOTE: the first priority for access to the press box after the clock operator and the PA announcer is the working media):
 - Classes A, 2A & 3A.....30 linear feet
 - Class 4A.....40 linear feet
 - Classes 5A, 6A & 7A.....50 linear feet
- C. All **Championship Round** games will be played December 8-10, at Georgia State University. These games will be known as the "GHSA/Tommy Guillebeau Football Championships."
1. The expense and revenue shares by classification will be as follows:
 - 7A - 17.5%, 6A - 15%, 5A - 15%, 4A - 13%, 3A - 12%, 2A - 11.5%, A (Div. 1 & Div. 2) - 16% (8% each)
 2. The exact schedule for the championship games will be published on the GHSA web site.
- D. Financial Procedures:
1. Total game receipts will include all revenue from ticket sales plus any payments for radio or television broadcasting, and will not include money from the sale of programs and concessions.
 2. All band chaperones and other support personnel must have tickets.
 3. The division of game receipts will be handled as follows:
 - (a) From the gross receipts:
 - (1) Twelve percent (12%) will be sent to the GHSA Office along with a financial report. Each Football Financial Report Form shall include the number of spectators admitted with a GHSA pass, along with a copy of the sign-in sheets listing the names and numbers of the passes used.

- (2) The visiting team shall receive reimbursement for travel expenses in the amount of \$5.00 per mile (one way) taken from the game receipts and guaranteed by the host school. NOTE: If the game is played at a neutral site, both teams will be reimbursed for mileage.
 - (3) **FOR ALL ROUNDS OF THE PLAYOFFS: The game officials will invoice GHSA and GHSA will pay the officials.**
 - (4) The HOST school shall receive a fee of 7% of the gross gate receipts.
 - (b) After the items in Section "a" above have been paid, the remainder shall be divided equally between the two teams.
 - (c) Local service charges, stadium charges, lights, cost of operating personnel, etc., are not to be deducted prior to the division of funds, and are considered a part of the expenses of the host school.
 4. Broadcasting procedures are handled as follows:
 - (a) The GHSA office will process radio contracts in all rounds of the playoffs. The fee schedule and regulations for radio broadcasts may be found in the Broadcast section 2.80.
 - (b) Outlets wishing to televise or webcast football games must contact the GHSA office for contract terms, fees and conditions.
 5. Financial arrangements for the championship games are designated by the GHSA Executive Committee.
- E. Game officials will be assigned by the GHSA Office in all playoff rounds. Officiating crews shall include seven (7) field officials, clock operators, and three (3) chain crew members.

FLAG FOOTBALL

GENERAL INFORMATION

- A. Girls' Flag Football is a state championship event organized on an Area basis in multiple divisions (as needed) with eight (8) areas in each division, playing during the late Fall each year.
- B. The maximum number of games allowed (not including the State Tournament) shall be twelve (12) and one (1) invitational tournament (maximum of four (4) games).
 1. Host schools shall schedule a minimum of two (2) games each playing date.
 2. Teams shall not play more than (2) games each playing date.
 3. Games played in an invitational tournament do not count in the total number of games allowed, but games played in an Area Tournament **do count** towards the limit.
 4. Teams are allowed to play (1) scrimmage/jamboree play date after the first official practice date, and prior to the first regular season game of either participating school.
 5. Beginning and ending dates are listed on the GHSA Calendar and in the front of this publication.
- C. Schools must indicate their desire to play Flag Football on the "Intent to Participate" by March 1 each year.
- D. Schools must enter team schedules, rosters and weekly game/meet results during the season on MaxPreps and be responsible for updates as needed. This information will support statewide media, event programs, broadcasts partners and GHSA Region Standings. Teams are encouraged to maintain team/individual statistics on MaxPreps.
- E. **PLAYING RULES** – Official Girls Flag Football playing rules may be found on the GHSA web site.
- F. **STATE TOURNAMENT**
 1. Each area will be responsible for determining the four (4) teams advancing to the State Tournament, with sixteen (32) teams in each division advancing to the first round.
 2. In the first three (3) rounds, the higher seed in each of the four-team quadrants will host two games to be played on the same date. A universal coin toss will determine the host schools for the second or quarterfinal rounds when teams of equal seeds are left in the same quadrant.
 3. The semifinals and championship finals for each division will be played at a neutral site to be determined by the GHSA Executive Director.

SECTION 8 GOLF

GENERAL INFORMATION:

- A. Golf is a state championship event for boys and girls held on an Area basis in Classes 1A through 7A. Each class in 2A through class 7A will be divided into four Areas by combining two regions. Area assignments can be found on the Golf Home Page at www.ghsa.net. An Area Coordinator should be assigned by the two combined regions to schedule and direct the area golf tournament. In Class A, four Areas will be assigned after *separating into Division*

1 and Division 2. An Area Coordinator should be assigned to schedule and direct the area tournaments. In addition to team competitions, there is also an individual competition.

- B. All GHSA golf matches shall be conducted in accordance with the "Rules of Golf" as published by the United States Golf Association (USGA). Exceptions specific to all GHSA competitions include:
1. Players may use push/pull carts in regular season and post season matches. Motorized carts or caddies are not permitted.
 2. Range finders and GPS devices will be allowed in match and tournament play with the following stipulations:
 - (a) In each grouping (2-4 players), if any player uses a "range finder" then all players will have access to the distance information.
 - (b) Any player using a device who does not share the distance information with other players in his grouping, when asked, will be subject to disqualification for a serious breach of etiquette.
 - (c) GPS devices on cell phones or wrist watches are NOT permitted under **penalty of disqualification**.
 - (d) Single function GPS devices that measure distance are allowed. Any device that performs multiple functions may be used for distance only. Use of any other functions will lead to **disqualification**.
 3. Other electronic devices including, but not limited to, cell phones, cameras, video recorders, etc., may not be used by players or coaches during competition. Violation of this policy will lead to **disqualification**. EXCEPTION: If a player encounters a dangerous situation (weather, person, animal, medical emergency), he may use a cell phone to call for immediate assistance.
 4. If a coach receives information from an "artificial device" (as defined by USGA rules) and passes that information on to a player during competition, it is grounds for **disqualification**.
 5. The use of spectator carts will be based upon their availability at each course. Only spectators with a legitimate handicap will be allowed to rent a cart when there is a limited availability.
- C. Notification of entry ("Contestants List") must be submitted **electronically** to the GHSA office by April 14, 2023, and the form is found on the GHSA web site. A school may list the allowed number of team members, plus up to four (4) alternates. Lineup changes and/or substitutions may be made at the Region/Area and/or State level using only those players listed on the entry form submitted to the GHSA. (See deadline under State Tournament heading.)
- D. The number of matches allowed (excluding region, sectional and state tournaments) is twelve (12) playing dates.
1. A 9-hole match played prior to the **last play date** will count as 1/2 playing date.
 2. Schools may use one (1) Saturday during the regular season as a playing date that does not count as one of their twelve (12) allowed play dates.
- E. Beginning and ending dates for practice and competition can be found at the front of this publication.
1. There will be no interschool practice or scrimmages in golf.
 2. A golf match may not begin prior to the end of the school day with the exception of post-season tournaments.
- F. A maximum of two (2) golf coaches may confer with their golfers anywhere on the course with the exception of the greens, so long as there is no delay in play. **Note:** Conversations with or suggestions from any other person is prohibited (First violation: warning. Second violation: 2-stroke penalty. Third violation: disqualification).
- G. In the event that a match ends in a tie during the regular-season or post-season competition, a "team sudden-death playoff" will be used.

Boys:

1. All six (6) players will play the first playoff hole.
2. The first foursome will include the top two players from each team, the second foursome will include the 3rd and 4th players from each team, and the final foursome will include the other two players.
3. The best four (4) scores of each team will count.
4. If the teams are still tied, all players will proceed to the next playoff hole.

Girls:

1. All four (4) players will play the first playoff hole in A and 2A, all five (5) players will play in 3A-7A.
2. The first foursome will include the No. 1 and No. 2 players from each team, the second foursome will include the No. 3 and No. 4 players from each team, and in 3A-7A the last twosome will include the No. 5 players from each team.
3. The best two scores of each team will count in classes A and 2A; the best three scores will count in classes 3A through 7A.
4. If the teams are still tied, all players will proceed to the next playoff hole.

NOTE: Any ties for **Individual** championship in Area and/or State must be played off using a "sudden death" format.

- H. It is permissible for coaches to use “split squads” during the regular season. If both squads are playing in the same event, it will count as only one (1) of the school’s maximum allowed competitions. However, if the split squads are playing in two different events, it will count as two (2) of that school’s maximum allowed competitions.
- I. A maximum score of 10 per hole will be used in all competitions, regular-season and GHSA post-season.
- J. All golf coaches must complete the GHSA/GSGA online rules clinic for golf or the school will be fined. Dates for the clinic may be found on the GHSA web site.

AREA TOURNAMENTS:

- A. Each Area Tournament will be an 18-hole event.
 - 1. The Area Director is responsible for communicating details of the Area Tournament to both Region Secretaries that form the Area who will (in turn) communicate to all schools in their respective regions. GHSA will maintain no record of where or when the Area Tournaments are scheduled to be played.
 - 2. Boys: A team may enter up to six (6) players with the top four scores counting.
Girls: Classes 3A through 7A: A team may enter up to five (5) girls with the three best scores counting. In Classes A through 2A: A team may enter up to four (4) girls with the best two scores counting.
 - 3. **In Classes 5A-7A**, the following advancement criteria from the Area Tournament to the State Tournament will apply:
 - a) Each Team Area Champion and Runner-Up will receive an automatic bid to the State Championships.
 - b) Each Team that finishes in 3rd and 4th Place will advance to a Classification Sectional.
 - c) The Area Tournament Director will electronically submit the Area results to app.ghsa.net no later than 9:00 a.m., on May 2, 2023.
 - 4. **In Class A through 4A**, the top three (3) teams in the Area tournament will advance to the State Championships.
 - a) Ties for the final qualifying slot(s) must be played off.
 - b) The Area Tournament Director will electronically submit the Area results to app.ghsa.net no later than 9:00 a.m., on May 9, 2023.
- B. Each Area Tournament will have a team competition and an individual competition.
 - 1. The lowest Individual score not automatically qualifying for the Classification Sectional or the State Championships as a member of a full team will advance to the State Championships.
 - 2. In the case of a tie for a qualifying slot, the tied competitors must play it off.
 - 3. Schools that do not have a regular girls or boys team may enter individuals in the Area Tournament to compete for individual advancement to the State Tournament.
- C. Each school will pay an entry fee to participate in the Area Tournament as follows:
 - 1. Boys teams: \$120.00; Girls teams: \$100.00 for 3A-7A, \$80.00 for A-2A; Individuals: \$20.00.
 - 2. The checks are to be made payable to the golf course to help cover costs.

CLASSIFICATION SECTIONAL (5A-7A Only):

- A. Each Sectional Tournament will be an 18-hole event.
 - 1. Details of the tournament will be sent to schools by the Sectional Director.
 - 2. Boys: A team may enter up to six (6) players with the top four scores counting.
Girls: A team may enter up to five (5) girls with the three best scores counting.
 - 3. The following advancement criteria from the Sectional Tournament to the State Tournament will apply: Each team that finishes in 1st through 4th Place will advance to the State Championships.
 - 4. Ties for the final qualifying slot(s) must be played off.
 - 5. The Sectional Tournament Director will submit electronically to the GHSA the Sectional Golf Results (app.ghsa.net). The deadline for this submission is May 10, 2023 at 9:00 a.m.
- B. Each Sectional Tournament will have a team competition and an individual competition.
 - 1. The lowest 2 Individual scores not automatically qualifying for the State Championships as a member of a full team will advance to the State Championships.
 - 2. In the case of a tie for a qualifying slot, the tied competitors must play it off.
- C. Each school will pay an entry fee to participate in the Sectional Tournament as follows:
 - 1. Boys teams: \$120.00; Girls teams: \$100.00.
 - 2. The checks are to be made payable to the golf course to help cover costs.

STATE TOURNAMENT:

- A. The State Golf Tournaments in all classifications will be held on the dates designated in the Beginning and Ending Dates table at the front of this publication.
 - 1. All State Tournaments shall be 36-hole events. Note: In the case that one of the rounds is canceled due to inclement weather, etc., the tournament will be an 18-hole event.
 - 2. Details of the state tournaments will be sent to the schools involved by the respective tournament directors or the GHSA office.
 - 3. Substitutions from the Area/Sectional Tournaments to the State Tournament must be submitted to the Tournament Director no later than 6:00 p.m., the evening before the State Final.
 - 4. Substitutions after the first day of the State Tournament must be submitted to the Tournament Director no later than 8:00 a.m., on the morning of the second round.
- B. All State Tournament sites will be marked and prepared by the Tournament Director and the host club's golf professional. The Georgia State Golf Association will provide officials for the State Tournament to answer questions regarding the Rules of Golf.
- C. The recommended playing distances for all Area, Sectional, and State Tournaments shall be: Boys - 6,500 yards; Girls - 5,500 yards (on Par 72 courses). Adjustments may be made for Par 70 or Par 71 layouts.
- D. Each school will pay an entry fee to participate in the GHSA State Tournament as follows:
 - 1. Boys teams: \$240.00; Girls teams: \$200.00 for 3A-7A, \$160.00 for A-2A; Individual qualifiers: \$40.00.
 - 2. The checks are to be made payable to the golf course to help cover costs.
- E. A listing of the State Tournament sites will be posted on the GHSA web site (www.ghsa.net).

**SECTION 9
GYMNASTICS - GIRLS**

GENERAL INFORMATION:

- A. Girls gymnastics is a state championship event open to schools in all classifications. There will be two championship divisions: A-5A and 6A-7A.
 - 1. Competition in all meets will be held in the following events:
 - (a) Balance Beam
 - (b) Uneven Parallel Bars
 - (c) Vault
 - (d) Floor Exercise
 - (e) All-Around (competition in preceding four events)
 - 2. The order of competition will be determined by block style.
 - 3. Open scoring will be used.
 - 4. Beginning and ending dates for practice and competition can be found at the front of this publication.
- B. The GHSA gymnastics meets will be played according to the rules published by the National Federation of State High School Associations with such GHSA modifications as may be found in this section.
- C. Each school desiring to participate in gymnastics must file its intent by May 1 of the preceding year by filing the form found on the GHSA web site.
- D. The number of regular-season gymnastics meets allowed is 10, including any invitational tournaments.
 - 1. The state elimination series does not count in these meets.
 - 2. An invitational tournament is defined as a competition involving more than three teams.
 - 3. All invitational tournaments must be approved by the GHSA Executive Director.
 - 4. Only two meets per week may be scheduled.
 - 5. All teams and gymnasts (except when prevented by injury) must participate in a minimum of three (3) GHSA sanctioned varsity meets during the regular season in order to be eligible to participate in the state Preliminary Meet. If an injury occurs, **a doctor's statement with the dates and the type of injury and the release date to participate** must be presented prior to the Preliminary Meet. Scan and email the doctor's statement to the penny@ghsa.net.
 - 6. Schools may organize and conduct invitational tournaments to assist in meeting the three (3) meet requirement.
 - (a) These tournaments may be held outside the school, but must be run by school personnel and must be sanctioned by the GHSA.

- (b) Scores should be submitted to Penny Mitchell by the tournament director as soon as possible to determine rankings to be posted on the GHSA web site.
- E. There will be no interscholastic practice and/or scrimmages.
- F. No exhibitions are permitted during seasonal or invitational meets.
- G. In accordance with NFHS rules, the GHSA limits the number of participants a school may enter in a meet as follows:
1. For regular season meets, the limit is five (5) participants per event.
 2. For invitational meets during the regular season, the limit is four (4) participants per event, unless approved by the tournament director.
 3. For post-season meets, the limit is four (4) participants per event (including the All-Around competition).
- H. All gymnastics coaches are required to complete an online GHSA rules clinic as specified in the GHSA By-Laws.
- I. **Tiebreaker Procedure when using three (3) or more judges.**
1. Gymnast's scores are determined by dropping the high and low scores and averaging the two middle scores (the scores must be within range per NFHS rules).
 2. In the event of a tie, an average of all three (3) or four (4) judges' scores will be used.
 3. If a tie still remains, the score of the Chief Judge will be used.
 4. If, after the above steps, a tie still remains, the tie stands.

PRELIMINARY MEET:

- A. A Preliminary (qualifying) Meet will be held at a site to be determined.
- B. **Qualifying Information:**
1. A total of eight (8) teams will qualify from the A-5A division and eight (8) from the 6A-7A division for the Preliminary Meet by averaging the top three (3) scores during the season. A team's minimum score is determined by compiling the top three (3) individual event scores. In case of a tie for 8th place, the teams tied will qualify for the Preliminary Meet.
 2. A gymnast may qualify for an individual event even if her team does not qualify by meeting the following standards - An all-around score of 34.0 or better in three (3) regular-season meets and/or an individual score of 8.50 or better on Beam and Bars and 9.00 or better on Vault and Floor Exercise in three (3) regular-season meets.
 3. There will be a limit of four (4) qualifying gymnasts per individual event who can represent a school that did not qualify as a team.
 4. If a gymnast qualifies at the Preliminary Meet, but can't advance because of illness or injury, the next individual will move up to take that spot at State Finals.
- C. The general information, entry form and roster form may be found on the GHSA website. Coaches must submit rosters online on the GHSA MIS site by March 15. Changes after this date can be sent to the GHSA office for approval. No changes will be made the week of the Preliminary Meet.
- D. Schools that do not meet the entry form deadline will not be able to enter the Preliminary Meet.
- E. All **individual competitors** must qualify in the Preliminary Meet to advance to the State Finals.
- F. Substitutions made after the Preliminary Meet for **team competitors** must be on the current submitted roster.
- G. Schools that qualify for the Preliminary Meet, but do not attend, will be fined by the GHSA.
- H. The top four (4) teams in each division, and the top eight (8) individuals in each event and All Around at the Preliminary Meet will advance to the State Finals.

STATE MEET

- A. The "Dr. Lucia B. Norwood GHSA State Championship" Finals will be held on Friday, April 21, 2023, at a site to be determined. The GHSA Coordinator is Penny Pitts Mitchell in the GHSA office (e-mail: penny@ghsa.net).
- B. In all Preliminary and State Meets, expenses are paid from the gross gate receipts, including the cost of officials, and the balance is sent to the GHSA Office.
- C. In all Preliminary and State Meets, a maximum of 10 athletes and two coaches will be given **free admission**.

**SECTION 10
LACROSSE****GENERAL INFORMATION:**

- A. Lacrosse is a classified event with *three (3) state championships: Class 7A, Classes A-4A, and Classes 5A-6A.*
- B. All Lacrosse games will be played according to the rules published by the National Federation (boys) or US Lacrosse (girls) with such GHSA modifications as may be found in this section.
- C. Notification of entry in Lacrosse must be filed in writing with the GHSA office no later than April 1, for the upcoming school year so that teams may be placed in Areas for competition.
- D. The number of Lacrosse games allowed (not including state tournaments) shall be eighteen (18). If a region/area chooses to hold a region/area tournament, those games must be included as part of the 18-game total allowed. Beginning and ending dates for practice and competition can be found at the front of this publication.
- E. All GHSA Lacrosse games shall be played with a minimum of two officially-dressed officials who are registered under the GHSA plan for registration of officials.
- F. For evening games, a single game must begin no later than 7:30 p.m., and a doubleheader must begin no later than 6:00 p.m.
- G. Sub-varsity games will be limited as follows:
 - 1. Boys will play four 10-minute quarters.
 - 2. Girls will play two 20-minute halves.
 - 3. No overtimes will be played in sub-varsity competition.
- H. When there is a competitive imbalance between two teams in a contest, the game will be shortened as follows: If a team is more than ten (10) goals down at any time, the remainder of the game will be played with a running clock that will stop only for timeouts and injuries.
- I. Games that are tied at the end of regulation will be handled according to the procedures outlined in the appropriate rule book as follows:
 - 1. BOYS: Any game that ends in a tie will be resolved by playing a sudden victory overtime period as outlined in Rule 3-4 of the NFHS Boys Lacrosse Rules Book.
 - 2. GIRLS: For all regular season games in girls lacrosse that end in a tie, overtime will be played according to sudden victory overtime rules (Rule 4-7) published by US Lacrosse and endorsed by the NFHS. This format will also be used in all tournaments where advancement is necessary.
- J. Teams arriving late for a scheduled contest by thirty (30) minutes or more shall forfeit the game, and shall be responsible for payment of the officials unless prior arrangements are made in a timely manner. Consideration will be given to emergency situations over which the traveling school has no control. The host school has the responsibility of notifying the officials of any changes in the schedule.
- K. Schools must enter team schedules, rosters and weekly game/meet results during the season on MaxPreps and be responsible for updates as needed. This information will support statewide media, event programs, broadcasts partners and GHSA Region Standings. Teams are encouraged to maintain team/individual statistics on MaxPreps.

AREA COMPETITION:

- A. Each Area shall have a written tie-breaker procedure in order to seed teams for the playoffs.
- B. An Area may choose to use the GHSA tie-breaker procedure:
 - 1. Winning percentage against all teams in the Area.
 - 2. Head-to-head competition among the teams that are tied.
 - 3. Goals allowed in head-to-head competition between teams that are tied.
 - 4. Goal differential in head-to-head competition between teams that are tied (maximum of 10 goals per game).
 - 5. Goals allowed in all Area games.
 - 6. Goal differential in all Area games (maximum of 10 goals per game).
 - 7. At any point in the process where ties can be broken so that only two teams remain tied, consideration of head-to-head competition will be invoked. If the tie is completely broken for all teams involved at any step in the process, the tie-breaker process is completed.

- C. If the Area is subdivided, then the same tie-breaker procedure should be used for both subdivisions.

POST-SEASON COMPETITION:

- A. If championship games end with a tie score, the rulebook procedure for breaking that tie is followed (see Lacrosse Section I).
- B. Admission fee is \$7.00 for a single playoff game and \$10.00 for a doubleheader. Admission for championship finals played at a neutral site is TBD.
- C. Finances:
1. The GHSA will receive 12% of the gross gate receipts.
 2. Officials will be paid by the host schools out of the gate receipts.
 3. The visiting team's mileage will be paid at .80 per mile one way.
 4. Any remaining receipts will be shared by the participating teams.
 5. Host school(s) will be responsible for security, facility fees, maintenance costs, etc., and these expenses will not be taken out of gate receipts.
 6. At neutral-site games, each participating team is allowed **free admission** for a maximum of 25 players and team essential personnel. Coaches will be admitted with a GHSA coaching pass.
- D. In order to host a state playoff game, the host school must be able to provide the following:
1. seating for 700 attendees (calculated at 24 inches per seat) Note: GHSA may waive this stipulation with approval of the visiting school.
 2. adequate restroom facilities for the size of the crowd;
 3. a dressing room or locker room for the visiting team.

**SECTION 11
RIFLERY**

GENERAL INFORMATION:

- A. Air riflery is a state championship co-ed event open to GHSA schools of all classifications.
1. Each school desiring to participate in riflery must file its intent by March 1, of the preceding school year by filing the form found on the GHSA web site (www.ghsa.net).
 2. Following notification of entry, each school will be assigned to an Area for competition that will be overseen by an Area chairperson. Teams will be notified of Area assignments when the total number of teams entering is determined.
 3. Contestants in riflery must be certified as being eligible through the GHSA Office. All rifle team athletes must have a sports physical on file at the school.
 4. Beginning and ending dates for practice and competition can be found at the front of this publication.
 5. GHSA Riflery team members may be used by JROTC programs in JROTC program competitive events. Athletes used by both GHSA Riflery programs and JROTC program competitive events must be currently enrolled in JROTC and be entered as a JROTC unit and not as a school team. They may not enter competitions or tournaments unless there is a JROTC competition category.
- B. Competitions will be Open Class, which permits use of Precision or Sporter Class equipment using Precision air rifle rules. The latest edition of the "NATIONAL STANDARD THREE-POSITION AIR RIFLE RULES" (published by the National Three-Position Air Rifle Council, Camp Perry, P. O. Box 576, Port Clinton, OH 43452 - also available on website: <http://thecmp.org/air/national-standard-three-position-air-rifle-rules/>) will govern all GHSA matches except the following:
1. The regular season, Sectional and Semifinal course of fire will be the team event 4x3x10. All matches will be shoulder to shoulder. **Postal matches will not be accepted.** Team members will be distributed equally between relays if more than one relay is used.
 2. Except at the State Championship, Sectional, Semifinal and tie-breaker competitions, the coach may assist team members (without disturbing other athletes), during preparation, changeover and sighting periods, but may not physically assist the athletes in loading, cocking or adjusting the sights. After each of these periods, the coach must be behind the firing point.
 3. The "two scorers" referred to in National Standard Rule 8.3 will consist of a scorer from each team if outside scorers with no interest in the outcome are not used.
 4. The amount of protest period time (Rule 8.2) should be established by each Rifle Area prior to start of season or agreed upon by both coaches prior to the beginning of the match.

5. The following safety regulations are mandatory for ALL competitions, training and practices: An adult, approved by the school, must be present at all times that students have access to rifles. Clear Barrel Indicators (CBIs) will be in all rifles when not firing. They will be inserted in the rifle when taken out of storage or cases. The CBI must visibly extend beyond both ends of the barrel when installed. The CBIs may be removed only during preparation and sighting, record firing, changeover (after athlete is in a firing position), and sighting times. They will be reinserted after each position stage and the rifle must be grounded. CBIs must be inserted anytime someone goes forward of the firing line or removes their rifle from the firing line. CBIs may be removed after the Range Officer gives the "You may discharge air downrange" command, then must be inserted after discharging air and left inserted until air rifles are placed in gun cases.
 6. Approved scoring methods are manual and electronic as listed in the National Three Position Air Rifle Rules. The host school determines which to use.
- C. Each Area shall draw up schedules for each team in the Area.
1. Each Area schedule must be filed with the GHSA Office.
 2. The home or host schools should fax or e-mail team and individual scores to the area chairperson by the beginning of the next day after completion of the match.
 3. Four competitors' scores comprise a team's score. Five may be used in post-season GHSA competition with the top four (4) scores counting as the team score. Areas may organize regular-season competitions as they elect in regard to the number of team members involved as long as only the top four (4) scores count as the school's team score.
 4. If a team has less than four competitors, it must forfeit the match (receiving a loss and the other team receiving a win). If both schools agree to compete with the forfeiture in place, the team scores do not count, but the individual scores from both teams will count as GHSA official individual scores *and there will be no additional penalty besides the forfeiture. Forfeitures must be communicated with the opposing team before the schedules match start. Forfeitures **without extenuating circumstances** will result in fines, with the fines increasing for each forfeiture **without extenuating circumstances**. A panel of three coaches selected by the State Coordinator will decide if extenuating circumstances warrant no fine. Decisions of that panel may be appealed to the Executive Director.*
 5. Standings will be determined by won-loss results. A team may compete against only one other team in a given regular season match. Ties will be broken using National Standard Rule 8.6. If tie breaking rules are exhausted and the match is still tied, the match will be scored as a tie and each team credited with one-half win and one-half loss. In cases of identical won-loss records, the results of their season competition against each other will determine standings. If still tied then a shoot-off match will be held.
 6. Before the start of the regular season, each Area will establish structure for determining Area winners and Sectional seedings. The Area will also appoint an appeals committee to handle protests and appeals in area competitions. NOTE: Decisions by the Area Appeals Committee may be appealed to the Executive Director when it is believed that Area procedures have been violated.
 7. Area competition must be completed by March 1, 2023. Final Area standings must be reported to both the State Coordinator and the GHSA office no later than March 2, 2023.

RESULTS REPORTING:

- A. Area chairpersons should report weekly results in regular season and Sectionals by Monday of the following week.
- B. Results of Semifinals and tie-breakers (if required to determine the two invitational Championship teams) must be reported by the day following the competition.

SECTIONAL COMPETITION:

- A. The first six teams in each Area will advance to the Sectionals to be fired on March 11, 2023, or earlier if agreed upon by both Area chairpersons involved. The Area chairperson of the top three seeded teams in his/her area will coordinate the matches and report the results to both the State Coordinator and to the GHSA office not later than March 13, 2023. Sectional and Semifinal brackets can be found in Appendix B.

SEMIFINAL COMPETITION:

- A. The thirty (30) teams winning the Sectional competition will advance to the State Semifinal competitions to be fired on March 21, 2023 or earlier if agreed upon by both Area chairpersons involved. The Area chairpersons will coordinate the matches. All chairpersons will report the results and **all** individual qualifiers to both the State Director and Coordinator and to the GHSA office not later than March 22, 2023. **TEAMS AND ALL QUALIFYING INDIVIDUALS MUST BE REPORTED FOR THEM TO COMPETE IN THE STATE CHAMPIONSHIP.** Qualifying individuals' scores submitted by the Area Chairperson on regular- and post-season results fulfill this requirement.

STATE COMPETITION:

- A. The fifteen (15) teams winning the Semifinal competitions and the two (2) teams with the highest losing scores in the Semifinals qualify to compete at the State Championship. Any ties to determine the two additional teams to advance to the championship (identical high losing scores) will be broken with another match to be held on March 27, 2023 or earlier if agreed upon by Area chairpersons involved. The higher-seeded team will host. If teams have the same seeding, a coin toss will determine the host site. Area chairpersons must report results of these tie-breaking matches to both the State Director and Coordinator and to the GHSA office not later than March 28, 2023.
- B. Competing team members at the Championship also compete for the individual competition. All other GHSA competitors firing 292 or better in a regular season GHSA Area match or in the Sectionals, Semifinals or tie-breaker also qualify for the state individual competition if their team does not qualify. Schools with more than five competitors with the 292 or better qualification may use five of these competitors as a team plus their additional qualifiers may compete for the individual championship. Finals procedures will be used in determining the state individual standings, but will have no effect on team standings.
- C. The State Rifery Championship will be held on April 1, 2023 at a site TBD. The GHSA State Coordinator for Rifery is **Lisa Kelley** - 404-307-8041; email: lkelly1@yahoo.com.

**SECTION 12
SOCCER****GENERAL INFORMATION:**

- A. Soccer is a state championship event for boys and girls played in the Spring season. Schools in classes 1-A, Division 1 through 7A are aligned in Regions. Class 1-A, Division 2 will be an Area sport in soccer.
- B. All soccer matches will be played according to the rules published by the National Federation, and all National Federation recommendations for "State Adoption" have been adopted by the GHSA. Sub-varsity matches are limited to 35-minute halves.
- C. The number of soccer matches allowed (not including state tournaments) shall be eighteen (18). If a region chooses to play a region tournament, those matches must be included as part of the 18-game total allowed. Beginning and ending dates for practice and competition can be found at the front of this publication.
- D. All GHSA varsity soccer matches shall be played with one or more officially-dressed officials who are registered under the GHSA plan for the registration of officials.
- E. Teams arriving late for a contest by thirty (30) minutes or more shall forfeit the match, and shall pay the officials unless prior arrangements are made in a timely manner, and both teams agree to start the game late or reschedule it. Consideration will also be given to emergency situations over which the traveling school has no control. The host school has the responsibility of notifying the officials of these changes.
- F. A student may not participate in more than three (3) halves of soccer per day except in a tournament setting, when a player may play two full matches in a calendar day.
- G. During regular season competition played between teams of different classifications, there will be no overtime procedure invoked when regulation play ends with a tie score, unless both coaches agree and inform the match officials prior to the start of the match. During regular season competition between schools in the same classification, and during region/area and state playoff competition, the **overtime procedure** described in item "E" later in this section will be invoked.
- H. In accordance with the National Federation allowance for a state adoption (Rule 7-1-5), when there is a **competitive imbalance** between the teams, the match will be shortened as follows:
 - 1. If a team is seven (7) or more goals down at the midpoint of the first half, that will be considered the end of the half, and the teams will play a twenty (20) minute second half.
 - 2. If a team is seven (7) or more goals behind at halftime, the second half will be restricted to twenty (20) minutes.
 - 3. When a team trails by ten (10) or more goals at halftime, the game will be terminated.
- I. All soccer matches between schools from the same classification must be played to completion. Matches that are interrupted by weather or mechanical difficulties will be replayed from the point of interruption unless the team that is behind chooses not to complete the match.

- J. In accordance with GHSA By-Laws, soccer coaches will be required to attend a GHSA rules clinic. Failure to do so will result in a fine for the school for each coach who does not attend.
- K. Schools must enter team schedules, rosters and weekly game/meet results during the season on MaxPreps and be responsible for updates as needed. This information will support statewide media, event programs, broadcasts partners and GHSA Region Standings. Teams are encouraged to maintain team/individual statistics on MaxPreps.

REGION COMPETITION:

- A. When a Region has not adopted its own tie-breaker method, the following **Tie-Breaking Procedure** will be used for seeding purposes:
 - 1. Record against all teams in the Region/Area.
 - 2. Winning team in head-to-head competition between schools that are tied.
 - 3. Goals allowed in head-to-head competition between schools that are tied.
 - 4. Goal differential in head-to-head competition between schools that are tied (maximum of three (3) goals per game).
 - 5. Goals allowed in all Region/Area games
 - 6. Goal differential in all Region/Area games (maximum of three (3) goals per game). **Note:** When figuring "goals allowed" and "goal differential" in matches decided by penalty kicks, the winning team will have one (1) goal added to its game score and the losing team will have no goals added regardless of the number of penalty kicks that were made by either team.
 - 7. In any step of the tie-breaking process if a three-way tie is broken so that all ties are broken, that step determines the placements. If two teams remain tied after a step is completed, revert back to head-to-head record to break the tie. If the tie cannot be broken, move to the next step.
- B. If Regions/Areas sub-divide, then the same tie-breaking procedures (A1 through A7) should be used.
- C. For Region/Area and State competition, if the score is still tied at the end of the second overtime period, the penalty kick procedure will be used to determine the winner.
- D. Financial procedures for all Region/Area playoffs will be determined by the Region/Area. The host school is responsible for payment of officials. The admission fees for State playoffs begin immediately after Region/Area winners are determined.
- E. **OVERTIME PROCEDURE:**
 - 1. The overtime will consist of two (2) ten-minute periods, which will be played to their entirety.
 - 2. A coin toss shall take place to determine which team will put the ball in play for the first overtime period.
 - 3. If the score remains tied following the overtime periods, a "**shootout**" of penalty kicks will determine the winner.
 - 4. The head referee shall choose the goal at which the penalty kicks will be taken.
 - 5. Each coach will select any five (5) eligible players (including goalkeeper) to take the kicks.
 - 6. A coin toss shall be held with the team winning the toss having the choice of kicking first or last.
 - 7. Teams will alternate kickers, and there is no follow up on the kicks.
 - 8. The defending team may change goalkeepers prior to each kick.
 - 9. Following five kicks from each team, the team with the greater number of successful kicks will be given one (1) point and declared the winner.
 - 10. If the same number of penalty kicks are successful for each team, each coach will select five (5) different eligible players who will kick in a "sudden victory" situation. Each team will have an opportunity to kick in each round of the sudden victory procedure.
 - 11. If there is no "sudden victory" winner after five (5) kicks, the process will be repeated until a winner is determined.

STATE COMPETITION:

- A. Four teams from each Region in classes 1-A, Division 1 through 7A will advance to the state tournament. *In Class 1-A, Division 2, six (6) teams from each Area will advance to the state tournament.*
 - 1. Region/Area winners must be determined by the date indicated on the Beginning and Ending Dates table at the front of this publication.
 - 2. It is the responsibilities of the host team to furnish game balls beyond those furnished by the GHSA
 - 3. In the event that two schools involved cannot agree on the arrangements for the series (dates, times, etc.) the GHSA Executive Director will make a ruling to cover the situation.
 - 4. Prior to the final round, the higher seeded team will host, unless the competing teams have the same seeding. In that case, a coin flip will designate the host team.

5. All Championship games will be played on the dates indicated on the Beginning and Ending Dates table at the front of this publication. Admission prices and exact schedules and sites will be posted on the GHSA web site prior to the finals.
 6. At neutral-site games, each participating team is allowed free admission for a maximum of 25 players and team essential personnel. Coaches will be admitted with a GHSA coaching pass.
 7. In the Finals, the "H" on the official GHSA bracket indicates the designated "home" team for purposes of uniform requirements only. Regardless of prior seeding, the team in the bracket with the "H" shall wear dark jerseys and socks for the game.
- B. Finances:
1. The GHSA will receive 12% of the gross gate receipts.
 2. Host schools will pay the Officials Association directly for the first and second rounds of the playoffs. Please see Fee Chart for Playoff Fees. (Please see Soccer Financial Forms)
 3. A pre-set amount for game officials fees will be sent to the GHSA office for the Quarterfinal and Semifinal rounds, along with 12% of gross gate receipts, and the GHSA office will be responsible for paying the officials.
 4. The visiting team shall be paid \$.80 per mile (one way) for travel.
 5. After these three expenses are paid the schools involved will share the remaining gate receipts equally.
 6. The host school is responsible for security, facility fees, maintenance costs, etc., and these expenses shall not be taken out of gate receipts.
- C. Admission must be charged at all playoff games. Ticket prices for First, Second and Third Rounds of the State Playoffs are \$7.00 for single games and \$10.00 for doubleheaders. Semifinal Round Ticket prices are \$10.00 for single games and \$13.00 for doubleheaders. All Championship Game tickets are \$15.00.
- D. In order to host a state playoff game, the following site requirements must be met:
1. Seating requirements (seats at 24 inches each):
A & 2A: 750; 3A: 1,000; 4A: 1,500; 5A, 6A & 7A: 2,000
 2. Adequate restroom facilities must be provided
 3. Dressing area must be provided for the visiting team and the officials.
 4. The playing area must be configured in such a way that spectators must enter through an admission gate.
 5. The field must be sufficiently lighted to allow for night play for all semifinal and championship matches.
 6. Championships matches will be held at neutral sites.
- E. In the post-season tournaments, it is necessary to have team benches located on the same side of the field. This will be true even in situations where fans are kept on opposite sides of the field. *Preferably, fans will be on one side of the stadium while Team Benches will be on the opposite side of the field.*

SECTION 13 SOFTBALL

GENERAL INFORMATION:

- A. **Fast Pitch Softball** is a state championship event organized on a Region basis in all seven classifications. Beginning and ending dates for practice and competition can be found at the front of this publication.
- B. All softball games will be played by the rules as published by the National Federation of State High School Associations.
- C. The maximum number of softball games allowed (not including state tournament games) shall be: thirty (30) games either head-to-head competition or in invitational or region tournaments.
 1. Region tournaments shall be structured so that no school will play more than eight (8) games in that tournament.
 2. Schools may not enter any softball tournament other than the region tournament or state elimination series unless such tournament has been approved by the GHSA Executive Director.
 3. Sub-varsity teams are allowed to play 70 percent of their respective varsity team's regular season games. Sub-varsity teams shall not schedule a tournament after they have reached their 70 percent game restriction.
 4. Contracts are required for **all** GHSA member school fastpitch softball games, including invitational tournaments.
- D. All varsity softball games shall be played with officially-dressed officials who are registered under the GHSA plan for the registration of officials. The assignment of officials for regular-season games, invitational tournaments, and sub-region and region tournaments will be made by the GHSA office.
 1. The GHSA will assign one or more associations to each school for their games.
 2. The school and the local association(s) will sign a contract for the games that are assigned.
- E. The following rule "State Adoptions" have been approved for GHSA play in softball:

1. The game will end when:
 - (a) a team has completed three turns at bat and is fifteen (15) runs behind.
 - (b) a team has completed four turns at bat and is twelve (12) runs behind.
 - (c) a team has completed five or more turns at bat and is eight (8) runs behind.
 2. The courtesy runner rule has been adopted. NOTE: Participation as a courtesy runner does not constitute entry into the game, and does not count as a game played.
 3. The use of a double first base is recommended.
 4. The suspended game rule will be used.
 - (a) When a game is stopped before it becomes a legal game, it is considered to be “no contest” and any replay will begin from the first inning.
 - (b) When a game is stopped after it becomes a legal game and a winner can be determined, the game is completed.
 - (c) When a game is stopped after it becomes a legal game and a winner can not be determined, any replay will begin from the point of interruption.
 - (d) **Exception:** If a State Tournament game is suspended at any point, it shall resume from the point of interruption on the next available date. If that date can not be agreed upon by the competing schools, the GHSA Executive Director shall determine the playing date.
 5. Termination of the game due to weather, unplayable conditions, or mechanical malfunctions:
 - (a) The umpires may halt play for up to two (2) hours when conditions do not allow play to continue.
 1. The two-hour interruption(s) is cumulative
 2. The game must be terminated when the two-hour time period has elapsed. If the first game of a doubleheader is terminated, the second game will be postponed.
 3. The two-hour period does not include time needed to prepare the field for the resumption of play.
 - (b) Umpires must wait for at least 30 minutes before terminating a game for unplayable field conditions.
 6. In any softball game, if a team does not show up within 30 minutes of the scheduled game time, a forfeit shall be declared unless the delay is unavoidable and the visiting team notifies the home team. In emergency situations, the game may be started late, or may be rescheduled.
 7. In order to be used, the **tie-breaker procedure** shall be agreed upon by both teams during the pregame meeting with the umpires. If implemented, the procedure shall begin in the 10th inning (and any subsequent half-inning). Exception: In Invitational Tournament games with a “time limit” policy, the tie-breaker procedure would start in the subsequent inning after time had expired. If not agreed upon, games may end in a tie after seven (7) full innings, or after time had expired during invitational tournament games.
 8. Only game-essential personnel are permitted within the confines of the team’s dugout and shall be held to the same level of accountability as the coaching staff and players.
 9. Sub-varsity games may have a time limit instead of playing seven innings as long as the guidelines are agreed upon before the start of the game.
 10. Varsity games played in invitational tournaments may have time limits as follows:
 - (a) No game may be less than five innings regardless of the time limit (4.5 innings if home team is ahead.)
 - (b) No time limit may be less than 90 minutes.
 11. Same-day multiple games, using the same umpires, shall receive the doubleheader game fee listed in the Appendix “F” Game Fee Chart.
 12. Host schools are required to post the current USA SOFTBALL list of “Non-Approved” bats in both dugouts during GHSA sanctioned games.
- F. Teams may have **spring try-outs** that are limited to a maximum of five consecutive school days between May 1 and the last day students are in school. Students must be academically eligible and enrolled at the school they are trying out for, or be an 8th grader at a feeder school for that school. Students currently in the 7th grade (rising 8th graders) may not participate in spring tryouts.
- G. Schools must enter team schedules, rosters and weekly game/meet results during the season on MaxPreps and be responsible for updates as needed. This information will support statewide media, event programs, broadcasts partners and GHSA Region Standings. Teams are encouraged to maintain team/individual statistics on MaxPreps.

FAST PITCH REGION TOURNAMENTS:

- A. The dates, times and sites will be determined by each Region and must be submitted to the Region Secretary.
- B. *Each Region in All Classes will determine its top four (4) teams advancing to the Super Regionals no later than October 15, 2022, with the top four teams advancing to the First Round of the state playoffs. Teams advancing to the Super Regionals must be submitted in the MIS system no later than 9:00 a.m., on October 16, 2022.*
- C. Region post-season games (play-in games, sub-region games, region tournament games) must have a minimum of two (2) games played on each field, each day, with the exception of a championship game.

FAST PITCH STATE TOURNAMENT:

- A. *The first two rounds of the State Tournament will be played as a "Super Regional."*
1. *The No. 1 seed in each 4-team pod in the bracket will host a double-elimination tournament in according to the seeding on the official GHSA playoff brackets.*
 - (a) *Classes A (Div. 1), 2A, 4A & 6A play their Super Regionals on Oct. 18-19.*
 - (b) *Classes A (Div. 2), 3A, 5A & 7A play their Super Regionals on Oct. 20-21.*
 2. *The higher-seeded team in each Super Regional game will be the designated "home" team.*
 3. *One team will advance from each Super Regional to a pre-designated placement in the Elite Eight bracket in Columbus, Georgia (see Appendix B).*
- B. The Elite Eight of the State Tournament will be a double-elimination tournament held in Columbus, Georgia on October 26-29, 2022.
- C. **FINANCES:**
1. *Admission for the Super Regional events is \$12.00 per day or \$20.00 for a two-day pass. Admission for the Elite Eight is as follows:*
 - (a) *Single day admission is \$15.00.*
 - (b) *Four-day admission is \$45.00.*

NOTE: *All Super Regional and Elite Eight admission fees MUST be purchased through GoFan.*
 2. *The GHSA will receive 12% of the gross gate receipts at all state playoff games. If schools are not able to cover the required costs with gate receipts, this fee will be waived if validated by the GHSA office.*
 3. *In the Super Regionals, the umpires will be paid out of gross receipts (Note: If the gross receipts are not sufficient to pay the umpires, the host school will pay that cost.)*
 4. *The visiting teams shall be paid \$.80 per mile (one way) for travel.*
 5. *During the Super Regionals and Elite Eight, each team is allowed **free admission** for a maximum of 25 players and team essential personnel. Schools desiring more than this number must pay the admission price or submit names on the "Excess Team Entry Form." Coaches will be admitted with their GHSA coaching passes.*
 6. *During the Super Regions, teams are responsible for their own travel and housing expenses, but housing will be arranged by the Columbus Sports Council for the Elite Eight Tournament in Columbus.*
- D. All umpires will be assigned by the GHSA.
- E. Times posted with the brackets are approximate. Teams should be ready to take the field for play at the time indicated for each game.
1. *The top team in each bracket uses the first base dugout unless a team is playing consecutive games on the same field.*
 2. *The home team will be determined for each game with a coin toss.*
 3. *Lineups should be submitted to the official scorer at least 15 minutes prior to the scheduled starting time.*
 4. *Teams may not use game fields for batting practice.*
 5. *All teams advancing to the Elite Eight of the State Tournament are required to be present and in uniform at the Opening Ceremonies. Failure to comply with result in a \$250.00 fine to the school.*
- F. The outfield fence will be set at 200' from home plate for the State Tournament in Columbus.
- G. All teams advancing to the Championship Finals shall be required to have all team bats inspected upon check-in at the championship venue.
1. *Bats that pass inspection will have an approved sticker placed on the bat.*
 2. *Bats that do not pass inspection will be confiscated and returned to the team at the conclusion of that team's final game.*
 3. *Bats found to be used in a game that do not have the approved sticker shall be confiscated and the offending player and head coach shall be restricted to the dugout for that game.*

SLOW PITCH SOFTBALL

- A. Slow Pitch softball is a state championship event organized on an Area basis in one classification with eight (8) Areas (depending on the number of schools participating). It will be played in the Spring each year.
- B. The maximum number of games allowed (not including state tournament games) shall be sixteen (16).
1. *Teams shall play not less than (2) two games each playing date.*
 2. *Games played in an Area Tournament count in the total games allowed (16).*
 3. *Beginning and ending dates are listed in the front of this publication.*

- C. Area assignments will be made by the GHSA Executive Director each year.
- D. Schools intending to participate in Slow Pitch must notify the GHSA Office no later than March 1 each year.
- E. All games will be played by the rules published by The National Federation of State High School Associations, with the following GHSA State adoption exceptions: The distance from home plate to the nearest obstruction (fence) in fair ground shall be not less than 200 feet; the distance between bases shall be 65 feet; the pitching distance shall be 46 feet; and the ball shall be 12-inch/.47cor/375 compression.

SLOW PITCH STATE TOURNAMENT

- A. Each Area will be responsible for determining the two (2) teams advancing to the state tournament. Teams advancing must be submitted to the GHSA Office no later than Monday, April 8, 2023 at 9:00 a.m.
- B. Teams advancing to the state tournament shall play in a double-elimination Sectional Tournament on April 12, 2023 at two (2) sites determined by the GHSA Executive Director. The top four (4) finishers at each Sectional Tournament shall advance to the Elite Eight at a site determined by the Executive Director.
- C. The Elite Eight of the State Tournament will be a double-elimination tournament held at a “neutral” site on April 19-20, 2023.
- D. The admission price for the Sectional Tournament and the Elite Eight Tournament will be \$10 per day.

SECTION 14 SWIMMING AND DIVING

GENERAL INFORMATION:

- A. Swimming and Diving is a classified event with four (4) state championships (classes 6A and 7A, and the combined divisions of classes A-3A and 4A-5A).
 - 1. Boys and girls compete for separate championships in each class.
 - 2. Beginning and ending dates for practice and competition can be found at the front of this publication.
 - 3. The maximum number of contests for swimming is ten (10) exclusive of the state meet.
 - 4. For divers, the maximum number of dual meet competitions is as follows:
 - (a) Six-dive format: ten (10) competitions AND/OR
 - (b) Eleven-dive format: five (5) competitions
 - 5. It is permissible for coaches to use “split squads” during the regular season. However, the use of split squads will count as two (2) of that school’s maximum allowed competitions.
- B. The National Federation Swimming Rules shall be the official rules for all GHSA competitions with the exception of any special regulations found in this section.
- C. In those school systems where facilities are limited and one coach is hired to coach more than one high school team, or coaches from several schools use the same facility, the gathering of these students for practice purposes will not violate GHSA regulations. Competitions between schools during these practice sessions must be avoided unless they are counted within the number of allowable contests.
- D. Each school with a participating student(s) must have a school representative present at all GHSA meets.
- E. Schools must enter team schedules, rosters and weekly game/meet results during the season on MaxPreps and be responsible for updates as needed. This information will support statewide media, event programs, broadcasts partners and GHSA Region Standings. Teams are encouraged to maintain team/individual statistics on MaxPreps.
- F. ORDER OF EVENTS: (boys events precede girls events)
 - 1. 200-yard Medley Relay
 - 2. 200-yard Freestyle
 - 3. 200-yard Individual Medley
 - 4. 50-yard Freestyle
 - 5. 1 Meter Diving
 - 6. 100-yard Butterfly
 - 7. 100-yard Freestyle
 - 8. 500-yard Freestyle
 - 9. 200-yard Freestyle Relay
 - 10. 100-yard Backstroke
 - 11. 100-yard Breaststroke
 - 12. 400-yard Freestyle Relay

STATE MEET (GENERAL INFORMATION):

- A. In order to participate in the State Swimming and Diving Meet:
1. A participant must qualify at a meet governed by National Federation and GHSA rules.
 2. Qualifying times are listed at the end of this section, and entry deadlines must be met.
 3. Proof of Performance (POP) for swimming events must be verified by two GHSA coaches who are in attendance at that meet.
 4. Participating schools will be required to pay \$20.00 per entrant.
 - (a) fees are payable to Atlanta Swimming.
 - (b) fees are due on the first day of swimming competition.
 - (c) Fees not paid within one week are subject to 100% late fee.
- B. All eligible relay swimmers must be listed on the entry form. It shall not count as an entry unless the competitor actually competes in the event. Any individual listed on the entry form may swim in the prelims, swim-offs, and/or finals provided he does not exceed the permitted entry limit for the meet.
- C. Qualifying standards for the State Meet will be established by the GHSA Executive Director.
- D. A coaches' meeting will be held at the site preceding both the diving competition and the swimming competition.
- E. Only the coaches/faculty members listed on the entry form will have access to the pool deck.
- F. Rules and Restrictions for Meet Entries:
1. A school may enter only one (1) relay team per event.
 2. A school may not have more than four (4) entries in an event in which the contestants compete as individuals.
 3. A contestant may enter a maximum of four (4) events, no more than two (2) of which are individual events.
- G. No team points will be allowed to a swimmer or relay team if the qualifying standard for that event is not met or bettered in either the prelims or the finals. No team points will be awarded to divers if they do not equal or better the qualifying point total for eleven (11) dives.
- H. Reservation of seating space for spectators is not allowed.
- I. *The **State Diving Championships** will be held Westminster High School, while the **State Swimming Championships** will be held at the Campus Recreation Center on the campus of the Georgia Institute of Technology on dates listed in the Beginning and Ending Dates Chart found at the front of this publication. The schedule for competition will be published on the GHSA web site (www.ghsa.net).*
- J. Team championships will be determined by scoring thirty (30) places as noted in the National Federation Swimming Rule Book. The top ten (1-10) qualifiers will compete in the championship heat, the next ten (11-20) will compete in consolation heat "B" and the next ten (21-30) will compete in consolation heat "C."
- K. The lead-off 50-yard Freestyle split in the 200-yard Freestyle Relay, and the lead-off 100-yard Freestyle split in the 400-yard Freestyle Relay will be considered for State records in their respective events. NOTE: If the relay team is disqualified for any reason, the lead-off time will not count for qualifying or for a state record.
- L. Admission fee for the GHSA State Swimming and Diving Championship is \$15.00 per day.
- M. Free admission will be allowed for the following: 1. Swimmers and divers qualified and entered in the State Meet; 2. Coaches that are listed on the Swimming and Diving Coaches list; 3. Four girls and four boys designated as substitutes by the coach on the team list; 4. Two team attendants or trainers as listed on the team roster; 5. Those normally allowed free admission, such as with GHSA passes, will continue to be admitted by signing the pass list.

STATE MEET (ELIGIBILITY/PROCEDURES):**DIVING**

- A. A diver may become eligible for the State Meet using a 6-dive sheet or an 11-dive sheet.
- 1) **6-DIVE FORMAT:** This format is slightly different than the normal 6-dive dual meet format as defined in the NFHS Rules Book. If the 6-dive format is utilized and submitted, the first dive will continue to be from the group as specified by the NFHS and in the NFHS Rules Book. The first dive will maintain its assigned degree of

- difficulty, unless it is more than 1.8, in which case it will receive no more than 1.8 degree of difficulty. Dives 2-6 shall be one dive from each of the five (5) groups (forward, backward, reverse, inward, and twisting). The degree of difficulty of dives 1-6 when totaled shall be equal to or greater than 11.5 for girls and 12.0 for boys. The score to be achieved must be 190 points or more for both boys and girls.
- 2) **11-DIVE FORMAT:** If the 11-dive format is utilized and submitted, it shall be on the official 11-dive sheet. For girls, the minimum degree of difficulty for optional dives shall be 11.5 when totaled, and the score to be achieved must be 300 points or greater. For boys, the minimum degree of difficulty for optional dives shall be 12.0 when totaled, and the score to be achieved must be 300 points or greater. NOTE: The official 11-dive Checklist as well as the 6-Dive and 11-Dive Forms can be found on the GHSA web site (www.ghsa.net).
- B. In both the 6-dive and 11-dive formats, the meet must be scored by at least, but not limited to, three (3) judges. The official dive sheet that is submitted must be completed with all necessary signatures and information provided, such as phone, and e-mail information for the coach and diver, within one (1) week of the performance.
- C. **Proof of Performance:**
- 1) Only one Proof of Performance (POP) dive sheet per diver may be submitted by uploading it onto the GHSA web site (www.ghsa.net). The deadline date for submission may be found on a chart later in this section.
 - 2) If the diver's POP is accepted and approved, the coach will be notified at the email address provided when uploading the sheet. If the POP dive sheet is in any way incorrect, the coach will be notified and one (1) additional POP may be submitted, if desired.
 - 3) Dive sheets with electronically generated scores will not be accepted unless submitted from www.DiveMeets.com.
- D. **State Meet Dive Sheets:**
- 1) The format and criteria required for the state dive sheet is slightly different than that listed in Section 4 - Choice of Dives that is detailed in the current NFHS Rules Book for championship meets. Divers will compete in a 6-Dive meet format at the State Championship meet with the following requirements:
 - (a) One (1) voluntary dive of the diver's choice with a maximum degree of difficulty of 1.8 followed by five (5) optional dives, one from each of the five (5) groups. The degree of difficulty of dives 1-6 when totaled shall be equal to or greater than 11.5 for girls and 12.0 for boys. The minimum score total to be achieved to earn points for the team must be 190 points or more after six (6) dives for both boys and girls.
 - (b) The 10 highest-scoring finishers from the preliminary event will move on to the finals and perform their six (6) dives again. Divers will be permitted to change dives, not dive order, for the finals so long as all sheet requirements are met.
 - (c) Scores from the preliminaries and finals will be cumulative.
 - 2) A diver will be automatically entered in the State Meet upon submission of the actual dive sheet on www.DiveMeets.com by the deadline and approval of the dive sheet by the GHSA.
 - 3) The deadline for changing a dive sheet may be found on a chart later in this section.
- E. If a school has more than four (4) divers per gender that have been deemed eligible after official approval of the POP dive sheet, the school may submit a maximum of four (4) and only four (4) dive sheets per gender by the deadline.
- F. The Meet Director for the State Diving Meet will have jurisdiction over the method of announcing the diving.
- G. If possible, the championship venue(s) shall provide two (2) hours of practice time to State Meet participants the week of the State Meet.
- H. Boys will dive first in the odd-numbered years, and girls will dive first in the even-numbered years.
- I. For questions or concerns about State Meet eligibility and procedures, contact the State Diving Coordinator, Vicky Sanchez Tuymer, (vtuymer@hotmail.com).
- J. **The diving information found on the GHSA web site supersedes all other sources of information.**

SWIMMING:

- A. Coaches shall submit all Proof of Performances on the Georgia High School Swimming Coaches Association (GHSSCA) web site found at www.ghssca.com. All eligible relay swimmers must be listed on the site. It shall not count as an entry unless the swimmer actually competes in the event. Detailed submission instructions are also available on the site. At the end of the dual meet season, the web site will be closed to accepting new submissions and time will be given for coaches to make their final entry decisions. The coach must make the actual entry for the swimmer to compete in the State Meet on the GHSSCA web site by 11:59 p.m., Thursday, Jan. 26, 2023.

B. Qualifying times and Deadlines are as follows:

BOYS	EVENT	GIRLS	DEADLINES:	
			SUBJECT	DATE / TIME
1:51.00	200 yard Medley Relay	2:07.00	Dive - POP	Within 1 week of performance
1:55.00	200 yard Freestyle	2:07.00	Swim - POP	Within 1 week of performance
2:12.00	200 yard Individual Medley	2:24.00	Dive - Last POP	Thursday, January 26, 11:00 pm
23.50	50 yard Freestyle	26.50	Swim - Last POP	Thursday, January 26, 11:00 pm
58.00	100 yard Butterfly	1:05.00	Dive - Dive sheet for State	Saturday, January 28, 4:00 pm
52.00	100 yard Freestyle	58.50	Swim - Actual meet entry	Thursday, January 26, 11:59 pm
5:20.00	500 yard Freestyle	5:40.00	Dive - Changes on State sheet	Sunday, January 29, 4:00 pm
1:40.00	200 yard Freestyle Relay	1:53.00		
1:00.00	100 yard Backstroke	1:06.00		
1:07.00	100 yard Breaststroke	1:15.00		
3:44.00	400 yard Freestyle Relay	4:12.00		

SECTION 15 TENNIS

GENERAL INFORMATION:

- A. Tennis is a team state championship sport for boys and girls that is based on Region play in all classifications. Beginning and ending dates for practice and competition can be found at the front of this publication.
- B. All tennis matches will be played according to tennis rules published by the U.S. Tennis Association (USTA) unless otherwise specified by the Georgia High School Association.
1. The rules of the USTA Handbook relating to lateness for a match will apply to GHSA matches.
 2. There will be continuous play except that a GHSA certified coach from that school may talk to their player(s) as they change ends of the court after a game, but the player(s) must stay on the court.
 3. In regular season play and in the Region tournament, the 8-game Pro Set format is allowed if both coaches are in agreement. 8-Game Pro Set: First player to win 8 games by a margin of 2 games (ie, 8-5, 8-6, 9-7) wins the set - if score gets to 8-8, the tie-breaker as outlined in this section is used.
 4. *Any GHSA tennis match that is interrupted, such as by weather or darkness, and can not be completed that day should be resumed (if it is to be made up) from the exact point of interruption at a future date agreed upon by the competing schools.*
- C. Teams are restricted to no more than eighteen (18) varsity matches excluding Region and State tournaments. The 18 matches are for the complete team (singles and doubles). There will be no singles tournaments allowed.
1. Each match played in an invitational tournament or multiple match counts toward the maximum of 18.
 2. No school shall enter any invitational tournament unless it has been approved by the GHSA Executive Director.
 3. It is permissible for coaches to use "split squads" during the regular season. However, the use of split squads will count as two (2) of that school's maximum allowed competitions.
 4. There shall be no interscholastic practices and/or scrimmages.
- D. The format for all GHSA tennis matches *during the regular season, region tournaments and state playoffs* shall be three (3) singles matches and two (2) doubles matches *played on composition (hard) surfaces unless the competing schools agree to play on a non-composition surface prior to the match.* With prior agreement of both coaches, JV squads may use a format of two (2) singles matches and one (1) doubles match. NOTE: No GHSA match at any level may be played where there are fewer than three (3) points available and any pre-match forfeitures must take place at the lowest level. No. 1 singles and No. 1 doubles may never be forfeited before a match begins.
1. An individual player may play in either one (1) singles match or one (1) doubles match ONLY.
 2. Substitution is not permitted once a match is engaged under USTA definition. If any injury occurs during play that prevents a player from completing the match, that player defaults and the opponent is awarded the victory.
 3. Teams have the option to play a 10-point tiebreaker (see USTA rules for playing process) in lieu of a full third set during the regular-season and Region tournament by agreement of the two coaches during the regular-season and by a majority vote of the Region coaches in the Region tournament. Note: All State Playoff matches must be best of three full sets.
 4. Teams may play up to three (3) matches in a day during Region tournaments IF a 10-point tiebreaker is used in lieu of a full third set in all three matches.
- E. 7-Point Tie-Breaker for Singles (Team A vs B)
1. This is used when the score is tied 6-6 (or 8-8 in Pro-Set) in any set (1st, 2nd, or 3rd).
 2. Player A serves the first point from the right service area.

3. Player B serves the second and third points from the left and right service areas respectively.
 4. Player A serves the fourth and fifth points - again alternating the service areas.
 5. Player B serves the next two points and ends of the court are changed between these two points.
 6. Player A serves the eighth and ninth points.
 7. After this, the serve is alternated on every two points.
 8. If the tie-breaker ends with a 6-6 score, the players change ends of the court and alternate serves until one player is ahead by two (2) points - which gives that player a set victory of 7-6.
 9. Players switch ends of the court after every six (6) points and at the end of the tie-breaker.
- F. 7-Point Tie-Breaker for Doubles (Team A & B vs C & D)
1. Player A serves the first point from the right service area.
 2. Player C serves the second and third points - alternating the service areas.
 3. Player B serves the fourth and fifth points.
 4. Player D serves the sixth and seventh points, and ends of the court are changed between the points.
 5. After this, play continues with the same service rotation until one team has either won seven (7) of the first twelve (12) points, or a team established a two-point margin after twelve (12) points have been played.
 6. Teams change ends of court after every six (6) points and at the end of the tie-breaker.
- G. Schools must enter team schedules, rosters and weekly game/meet results during the season on MaxPreps and be responsible for updates as needed. This information will support statewide media, event programs, broadcasts partners and GHSA Region Standings. Teams are encouraged to maintain team/individual statistics on MaxPreps.

REGION COMPETITION:

- A. Each Region will determine how it will choose its top four (4) teams.
1. The top 4 Region representatives shall be determined no later than April 13, 2023.
 2. The top four Region teams must be submitted to the GHSA no later than 9:00 a.m., on April 14, 2023.
 3. Five percent (5%) of the gross gate receipts (if admission is charged) will be sent to the GHSA, and then the Region will decide how to handle expenses and disbursements.
- B. At the end of the regular season and **prior to any post-season play**, each coach will submit to the Region tournament director *and enter electronically on the GHSA MIS web site* an **official playoff roster** listing the singles players as Nos. 1, 2, and 3 and the doubles teams as Nos. 1 and 2, **in proper order of ability** (based on the integrity of the coach). This roster will be the lineup used in ALL tournament play thereafter, unless an alternate is used under the restrictions listed below. NOTE: If no Region tournament is held, the **official playoff roster** must be entered **electronically** at the end of the regular season and prior to the start of the state tournament.
1. Stacking of one's lineup is strictly prohibited in any regular-season match, invitational tournament or state tournament match. An obvious attempt to stack a lineup (i.e., use a player or doubles team below their relative ability level on the team) may result in the immediate disqualification of the entire team.
 - (a) For each regular-season match, the coach will choose three players (A, B & C) to play singles and two pairs of players (D1 & D2) to play doubles that day. The best player of A, B and C must play the No. 1 position in singles and the weakest must play No. 3 singles. The best doubles team of D1 and D2 must play No. 1 doubles (Note: Points may only be forfeited beginning with the lower positions and working upward unless an injury or illness occurs after a match has begun).
 - (b) It is not stacking to alternate from match to match during the regular season the positions of A and B, B and C, and even A and C if the players are of relatively equal ability. Likewise, D1 and D2 could alternate if these teams are of relatively equal ability.
 - (c) It is not stacking if players alternate from singles to doubles, and vice versa, from match to match during the regular season as long as the singles players being used that day are listed from No. 1 to No. 3 according to relative ability, and the best doubles team being used that day plays at No. 1 doubles.
 2. Designate up to *six (6)* **alternates** on the **official playoff roster** to be used under the following conditions:
 - (a) Alternates should not be better in ability than ANY of the players listed on the playoff roster in the positions of Nos. 1, 2, or 3 singles OR Nos. 1 or 2 doubles.
 - (b) Alternates may be used in either singles or doubles competitions, but the same player may not be used for both in the same round of competition.
 - (c) **Substitutions** made after the official playoff roster has been submitted must be made at the lowest level of singles play with all others moving to the higher level of competition. In doubles competition, the coach has the option to place the alternate in the open slot or to place the alternate on the No. 2 doubles team and move a player from the No. 2 doubles team to the No. 1 doubles team, if the original vacancy is on the No. 1 team. A player may never be used in a position lower than his original position. NOTE: A substitution violation results in the loss of that line and not the forfeiture of the entire team match.
 - (d) If the original contestant(s) resumes play, everyone moves back to their original positions listed on the submitted playoff roster.

- (e) A player listed as a singles player on the **official playoff roster** shall not switch over to doubles competitions in any later round, or vice-versa.
- 3. A serious injury, illness, suspension or other conflict MAY warrant a waiver of the anti-stacking restrictions listed above. Such waivers will be considered on a case-by-case basis upon receipt of proper documentation to the GHSA office, including a letter signed by the school's principal.
- 4. A school objecting to an opponent's lineup **must provide documentation** (newspaper articles, scorebooks, and written confirmation from other coaches) of any stacking violations.

STATE TOURNAMENT:

- A. The State Tournament is considered a continuation of the Region Tournament.
 - 1. Tournaments will be held for both boys teams and girls teams in each classification.
 - 2. Trophies shall be presented to the champions and runners-up in each classification - both boys and girls.
 - 3. In order to host a State Tournament match beyond the region level, the host school must have available a minimum of two (2) courts. Four (4) courts is preferable.
 - 4. The **First Four (4) Rounds** of the State Tournament will take place on the "home" courts of the higher seeded teams with the following schedule: The **First Round** must be completed **no later than** April 20, 2023; the **Second Round** must be completed no later than April 26, 2023; the **Quarterfinal Round** must be completed no later than May 2, 2023; and the **Semifinal Round** must be completed no later than May 8, 2023. If the teams are equal seeds, a "universal" GHSA coin flip will determine the host school.
 - 5. In each round of the state playoffs, the following will apply:
 - (a) Coaches will contact each other and set up a **mutually** agreeable time and date.
 - (b) In the event an agreement on time and date cannot be reached, the GHSA Executive Director will set the time and date.
 - (c) In situations where fewer than five (5) courts are available per team match, the order of play **must** be as follows: No. 1 singles, No. 1 doubles, No. 2 singles, No. 2 doubles, No. 3 singles.
 - (d) The **home team** is responsible for reporting the winners and scores to the GHSA office by 9:00 a.m., the day after the match.
 - 6. The **State Finals** will be held for both boys and girls in all classifications at the Rome Tennis Center at Berry College on the date indicated in the Beginning and Ending Dates table in the front of this publication. The exact schedule will be posted on the GHSA web site prior to the tournament.
- B. All team matches shall be the best three of five (3 singles/2 doubles) matches, using the 7-point tie-breaker.
 - 1. A team winning three (3) of the five matches (3 singles/2 doubles) shall be the winner.
 - 2. A team match is concluded as soon as three (3) points have been won, unless both coaches agree to finish all five lines.
- C. Each team shall furnish five (5) cans of high-quality, heavy-duty tennis balls through the **Semifinal Round**.
 - 1. New balls will be used in the first team match.
 - 2. After the team match, the losing team will keep the balls used in that match, and the winning team takes the unopened cans of balls to the next round of competition.
 - 3. At the **State Finals**, the GHSA will supply the tennis balls.
- D. For all rounds of the state playoffs prior to the finals, the host school shall provide a designated "**site manager**" to make rulings concerning sportsmanship, lateness, or other rules violations that might occur during the match. This person should be a certified USTA official when possible, hired and paid for by the host school. In instances where a USTA official cannot be secured, a school administrator must be the replacement. For the finals, the GHSA will provide the site manager.

SECTION 16 TRACK AND FIELD

GENERAL INFORMATION:

- A. Track and Field is a team championship event for boys and girls that is based on Region competition in all classes. Beginning and ending dates for practice and competition can be found at the front of this publication.
- B. All GHSA Track meets will be run in accordance with the rules published in the National Federation Track and Field and Cross Country Rule Book with any exceptions and/or adoptions noted in this section. (NOTE: Knowledge of and compliance to all exceptions is the responsibility of the head coach.)

- C. Track meet requirements:
1. There will be no interscholastic practices or exhibition meets in Track.
 2. The maximum number of meets that may be scheduled is twelve (12), but no individual student may compete in more than ten (10) meets (excluding the Region, Sectional and State Meets).
 3. Track teams may compete in one (1) indoor meet, and this meet will not count as a part of the ten (10) meets allowed per athlete provided the meet is after the date for practice to begin and prior to the date to begin regular competition.
 4. It is permissible for coaches to use “split squads” during the regular season. However, the use of split squads will count as two (2) of that school’s maximum allowed competitions.
- D. Any meet involving eight (8) or more schools must be approved by the GHSA Executive Director in accordance with the process described in By-Law 2.64.
- E. A competitor **shall not compete in more than four (4) events**, including relays. *Contestants officially become competitors when they report to the clerk of the course or field-event judge for an event in which they are entered.* A contestant shall not be entered in more than four events, excluding relays. If a contestant is entered in more than the allowable number of events, meet management shall scratch the contestant from the excess event(s) by following the listed Order of Events.
A contestant may officially compete in:
1. Four individual events - NO Relay events.
 2. Three individual events - May be listed on any number of relay events but **compete** in only one relay event.
 3. Two individual events - May be listed on any number of relay events but **compete** in only two relay events.
 4. One individual event - May be listed on any number of relay events but **compete** in only three relay events.
 5. NO individual events - May be listed on any number of relay events and **compete** in all four relay events.
- F. The following regulations apply to the Pole Vault event:
1. All GHSA schools competing in the pole vault event must meet the minimum NFHS regulations on the vaulting area, the plant box, the vaulting standards, the crossbar and the landing pads. Schools not able to meet these regulations are not allowed to practice or compete in the pole vault event at the non-complying site.
 2. A listing of approved schools has been established for the pole vault. Annually, those schools making changes in their pole vault equipment and/or facilities **MUST** report the changes to the GHSA office.
 3. In compliance with NFHS rules, school administrators and coaches must verify that all vaulters and poles meet event requirements. A “Pole Vault Verification Form” (found on the GHSA web site) is to be submitted before each competition.
- G. The GHSA has elected to fully comply with the NFHS Rule 4-3-1. All competitors shall have legal uniforms. The singlet and bottom, or one-piece uniform, must be a school-issued or school-approved Track and Field uniform. Uniform bottoms clearly designed as “underwear” will NOT meet the NFHS or GHSA requirement. Uniform tops and one-piece uniforms with multiple manufacturer logos are NOT legal. Uniform bottoms with logos completely around the waistband are LEGAL. Team uniforms worn must clearly identify the competitors, at a glance, as being a member of a certain team. (CLARIFICATION: Team members competing in individual events must wear clearly identifying uniforms for that team, but NOT NECESSARILY of the same design. Relay team members on the same team must wear uniforms of the same design. NOTE: The ultimate responsibility for uniforms compliance lies with the coach. Coaches should inspect any/all garments competitors wear to make sure they are in compliance with GHSA and NFHS uniforms rules.
- H. Electronic devices, including but not limited to disc players, tape players, cell phones, pagers, walkie talkies, are permitted for use by coaches within designated coaching boxes or outside of restricted competition areas.
- I. In the **Region** and **State** meets, eight (8) places shall be scored, with point totals counting as follows:
- | | | | | | |
|---------------|---|-----------|--------------|---|----------|
| First Place | = | 10 points | Second Place | = | 8 points |
| Third place | = | 6 points | Fourth Place | = | 5 points |
| Fifth Place | = | 4 points | Sixth Place | = | 3 points |
| Seventh Place | = | 2 points | Eighth Place | = | 1 point |
- NOTE: When there is a tie, the points will be divided equally among the contestants who are tied.

REGION COMPETITION:

- A. Deadlines for posting the Region/Area list of entries will be a Region decision.
1. All entries must be made **ELECTRONICALLY** on the GHSA web site. A template will be posted there for use by all head track coaches.

2. Posting entries on sites other than the GHSA web site does **NOT** fulfill the GHSA requirement for electronic submission.
 3. Coaches may alter the list of entries until the deadline established by each Region for their Region Meet.
 4. All Region Secretaries should communicate their deadline for entries before the "Scratch Meeting" that precedes the Region Meet. Region Secretaries (or designee) must "close" the electronic entries for the deadline established by each Region.
- B. The time schedule for the Region Meet shall be given to each competing school prior to the start of the Meet.
1. Events to be contested for Boys and Girls Track (18 events):

<u>RUNNING EVENTS</u>	<u>FIELD EVENTS</u>
4x800m Relay	Discus (Girls 2.20 lb./1kg.) (Boys 3.53 lb./1.6 kg.)
Girls 100m Hurdles (33")/Boys 110m Hurdles (39")	High Jump
100m Dash	Long Jump
4x200m Relay	Pole Vault
1600m Run	Shot Put (Girls 8.81 lb./4 kg.) (Boys 12 lb./5.443 kg.)
4x100m Relay	Triple Jump
400m Dash	
300m Hurdles (Girls 30" / Boys 36")	
800m Run	
200m Dash	
3200m Run	
4x400m Relay	
 2. Each school may have three (3) entries in each individual event and one (1) entry in each relay event.
 3. Relay teams entered in the Region Meet may list a maximum of eight (8) runners.
 - (a) The relay names remain the SAME throughout the State Meet Series (Region/Sectional/State Meets) and are the ONLY eligible participants for qualifying relay teams throughout the State Meet Series.
 - (b) NO replacements may be made in the Relay list of runners advancing from the Region Meet to the Sectional Meet to the State Meet.
 - (c) Any four (4) competitors listed on a Region Meet relay event entry may run in that event in any round of advancement (Region, Sectionals, State Meet Semifinals and Finals), and in any order desired.
 4. In Shot Put, Discus, Long Jump, and Triple Jump, the giving of qualifying and final trials is optional. NOTE: The Region Games Committee may institute a process in which each contestant has three (3) attempts and only the best attempt counts.
 5. It is recommended that all Regions/Areas conduct the boys and girls competitions on the same dates in order to comply with the GHSA deadline for completion of Region track competitions.
- C. When there is a tie in any event involving more contestants than the Region is entitled to enter in the Sectional or State Meet, the contest must continue or be re-held until the representatives to the Sectional or State Meet are determined, and no points be given for the continued or re-held contest. For possible replacement purposes, all field events must determine clear 5th and 6th place finishers in **ALL** Classes.

SECTIONAL COMPETITION:

- A. Basic Information
1. The top four (4) finishers in each event from each Region Meet will advance to a Sectional Meet.
 2. Boys and Girls Sectionals in each classification will take place on the same date at the same site (see schedule of Sectionals on the GHSA web site).
 3. For Running Events, there will be qualifying heats only - no running finals will be held.
 - (a) There will be two heats in each event, excluding the 1,600 and 3,200 Meter Runs and the 4x800 Meter Relay. The first place finisher in each heat and the next six (6) fastest times from either heat will advance to the State Final.
 - (b) For the 1,600 Meter and 3,200 Meter Runs and 4x800 Meter Relay, there will be one heat and the top eight (8) finishers in each race will advance to the State Final.
 4. For Field Events, prelims and finals will be held in all events with the top eight (8) finishers advancing to the State Final.
 5. For replacement purposes, ALL events must determine clear 9th and 10th place finishers.
 6. Relay teams entered in the Sectional Meet may list a maximum of eight (8) runners.
 - (a) NO replacements may be made in the Relay list of runners advancing from the Sectional Meet to the State Final.
 - (b) Any four (4) competitors listed on a Sectional Meet relay event entry may run in that event in any round of advancement (Sectionals, State Meet Semifinals and Finals), and in any order desired.

- B. Sectionals will be conducted one (1) week prior to the earliest State Final. Admission fee for all Sectional Meets shall be \$5.
- C. All replacements from the Region meets for the Sectionals must be made **ELECTRONICALLY** using the form posted on the GHSA web site. The **REGION SECRETARY** or their designee may make confirmed changes and/or corrections. The deadline for all changes is 12:00 noon on Wednesday, May 3, 2023.
- D. A listing of Sectional Sites may be found on the track page of the GHSA web site (www.ghsa.net).

STATE CHAMPIONSHIP MEETS:

- A. The State Championship Meets will be held on the dates listed in the Beginning and Ending Dates table at the front of this publication. Exact sites and schedules will be posted on the GHSA web site prior to the event.
 - 1. If weather conditions alter the schedule, night sessions may be held or the schedule may be condensed to a one-day meet (events may be run morning and/or evening).
 - 2. Preliminaries may be eliminated and finals held in any of the events provided that notice is given prior to the beginning of the meet.
 - 3. In each preliminary running event (semifinals), there will be two (2) heats with the first place finishers in each heat and the next six (6) fastest times qualifying for the finals.
- B. The top finishers as described from each Sectional Meet will qualify for the State Final in ALL classes.
 - 1. When a qualifier can not compete in the State Meet, the next competitor in the order of finish will be selected as a replacement.
 - 2. All replacements for the State Meet must be submitted **ELECTRONICALLY** using the form posted on the GHSA web site. Only the **SECTIONAL MEET DIRECTOR** may make changes/corrections to the list of State Meet Qualifiers. The deadline for all changes is 12:00 noon on Tuesday, May 9, 2023.
 - 3. All entries for the State Meet will be posted on the GHSA web site (www.ghsa.net) for verification. Schools will **not** receive paper copies of their qualified athletes. It is the responsibility of **EACH COACH** to review the school's entries on the web site and immediately notify the Sectional Meet Director if corrections need to be made.
- C. Each contestant is requested to bring his/her own shot and discus.
 - 1. Any contestant may use any shot or discus after it has been checked for weight and legality at the field.
 - 2. Rings for the shot and discus are concrete; therefore, rubber soled shoes must be worn.
 - 3. The NFHS Track and Field Rule Book will be strictly enforced in regard to the time between jumps and throws.
- D. At the State Meets (boys and girls), 34.92-degree throwing sectors will be used (Discus: Rule 6-6-5; Shot Put: Rule 6-7-5). Schools, Region hosts and Sectionals hosts **must** have the 34.92-degree sectors in place for the Region and Sectionals meets.
- E. The tracks and runways that are used for all State Meets are all-weather tracks.
 - 1. Spikes on track shoes must not exceed the specified length(s) at each State Meet:
NOTE: Shoes may be inspected before contestants are allowed on the track.
 - 2. Spikes that have been cut off by individuals must be filed to a sharp point. Blunt spikes will not be allowed.
 - 3. Replacement spikes will be sold at each state meet site.
 - 4. Only the starting blocks furnished at the track may be used in the State Meets.
- F. Admission price for each of the State Meets may be found on the GHSA web site.

ADAPTED DIVISION

WHEELCHAIR TRACK AND FIELD:

- 1. All high school students with a permanent, physical disability may be eligible to participate on their school's track and field team. These students will have the opportunity to compete in the 200 and 800 meter wheelchair races and the shot put. There will be two (2) divisions of competition in the shot put based upon the disability.
- 2. Students who participate must meet all GHSA eligibility requirements.
- 3. All athletes qualified for the Wheelchair competition must compete in either a standard wheelchair, a throwing chair or a specially designed racing chair.
- 4. Students will be members of the school's track and field team and may compete at all the school's meets (regardless of the number of wheelchair competitors), including Sectionals. The athletes must compete in their school's team uniform. The top eight (8) qualifiers over the entire track season in each event, including Sectionals, will advance to compete at the State Track Meet.

5. Wheelchair racers must use a racing wheelchair, gloves and a bicycle helmet that meets ANSI standards.
6. In the shot put, boys Class 1 will use an 8.81lb./4.0 kg. shot while boys Class 2 will use a 6 lb. shot. Girls in Classes 1 and 2 will use a 6 lb. shot.
7. Coaches must complete a required training course conducted by AAASP.
8. All times and distances are to be reported to results@adaptedsports.org by the athletes' coaches.
9. For more information, contact AAASP at 404-294-0070 or see the AAASP web site www.adaptedsports.org.
10. Information about all Adapted Sports programs may be found on the ghsa.net web site by entering this link: ghsa.net/adapted-team-sports-information

AMBULATORY STUDENT-ATHLETES WITH DISABILITIES:

1. An ambulatory student-athlete must have a permanent orthopedic, neuromuscular, visual, or other physical disability. Permanent orthopedic impairment and/or visual impairment shall be verified by a licensed physician and maintained on permanent file at the school.
2. All high school students with a permanent, physical disability may be eligible to participate on their school's track and field team.
3. Students who participate must meet all GHSA eligibility requirements. Students shall be members of the school's track and field team and shall have the opportunity to compete at the school's regular season meets (regardless of the number of adapted competitors). The athletes must compete in their school's team uniform.
4. **Divisions:** Two divisions: Male Female. **Events:** Track: 100, 200, 400; Field: Shot, Discus.
5. Students will be members of the school's track and field team and may compete at all the school's meets (regardless of the number of ambulatory competitors), including Sectionals. The athletes must compete in their school's team uniform. The top eight (8) qualifiers over the entire track season (including Sectionals) in each event will advance to compete at the State Track Meet and must meet standards listed below. Maximum number to qualify per class (division), per event shall not exceed the number of qualifiers allowed for able-bodied athletes - eight (8). Number of events allowed is five (5).
6. Ambulatory Division Qualification Standards:

<u>Event</u>	<u>Boys</u>	<u>Girls</u>
100	:25	:30
200	:55	1:10
400	2:00	2:10

Shot Put: Boys- 4M-4K; Girls- 4.4M-6lbs
Discus: Boys- 19M-1.5K; Girls- 10M-1K
8. All times and distances are to be reported to results@adaptedsports.org by athletes' coaches.
9. For more information, contact AAASP at 404-294-0070 or see the AAASP web site www.adaptedsports.org.

SECTION 17 VOLLEYBALL

REGULAR SEASON:

- A. Volleyball is organized on a Region or Area basis with seven (7) state championships. Beginning and ending dates for practice and competition can be found at the front of this publication.
- B. The National Federation Volleyball rules committee has given each state its option about the number of games that determine a match.
 1. Region/Area matches shall be best-of-three unless ALL teams in the Region/Area agree (prior to the start of the season) to play best-of-five. Championship matches in the Region/Area Tournament **may** be best-of-five, and all post-season play after Region/Area Tournaments **shall** be best-of-five.
 2. In all competitions, the deciding set shall be played to fifteen (15) points.
- C. Notification of entry in Volleyball must be filed in writing with the GHSA State Office no later than March 1, for the next school year. Schools will be assigned by the GHSA Executive Director to a region or geographic area for competition, and then will be notified of that assignment.
- D. Schools must enter team schedules, rosters and weekly game/meet results during the season on MaxPreps and be responsible for updates as needed. This information will support statewide media, event programs, broadcasts partners and GHSA Region Standings. Teams are encouraged to maintain team/individual statistics on MaxPreps.
- E. Playing dates:
 1. Schools have a maximum of 18 playing dates regardless of whether or not it is a tournament format or head-to-head competition (each day of a tournament equals one playing date). Region/Area and State playoffs are not counted as part of the allotted playing dates.

2. An invitational tournament is defined as four (4) or more schools competing in a single or double elimination format that leads to a champion being declared. The use of pool play is acceptable.
3. The maximum number of days for an invitational tournament is two (2) days.
4. No school shall enter any tournament unless it has been approved by the GHSA Executive Director.

F. MISCELLANEOUS INFORMATION:

1. In accordance with National Federation rules, the use of artificial noisemakers shall be prohibited.
2. Display of signs (larger than 8.5 x 11 inches) in the stands is not allowed during regular season or post season competition.
3. Competitors must stay in uniform while in the competitive area.
4. All varsity Region/Area Volleyball matches shall be officiated by at least one (1) officially-dressed volleyball official who is registered under the GHSA plan for the registration of officials
5. Each school will have a contract with an officials association for regular season matches, play days and invitational tournaments. The host school will be billed by the official's association for all of the officiating fees for these games, including travel.
6. In accordance with National Federation rules, teams may use multi-colored balls in the regular season and post-season competitions.
7. One coach (head or assistant) may stand in the libero replacement zone to coach his/her team during play.
8. Schools may have **tryouts** that are limited to a maximum of five consecutive school days between May 1 and the last day students are in school. Students participating must be academically eligible and enrolled at that school or an 8th grader at a feeder school for that school.

REGION/AREA INFORMATION:

Each Region/Area may determine its procedure for selecting and ranking its top four (4) teams for the state playoffs. The Region/Area may use regular season records and not have a Region/Area Tournament. The Region/Area may choose to have either a single-elimination (best 3 of 5) or a double-elimination (best 2 of 3) tournament with schools seeded on the basis of their Region/Area records - or may allow schools to play a non-Region/Area schedule and then be seeded into the Region/Area Tournament. That choice must be submitted to the Region or GHSA Volleyball Area Coordinators before the first competition date of the regular season.

1. All finances (including officials' game fees and travel) will be the responsibility of the Region/Area.
2. Region ticket prices are set by the Region. Area ticket prices are to be set at \$6.00.
3. The GHSA will receive 5% of the gross gate receipts.
4. Results of each Region/Area Tournament must be entered in the GHSA MIS system within 24 hours of the completion of the event, but no later than 9:00 a.m., Monday immediately following the Region/Area Tournament.

STATE PLAYOFFS:

The **State** Volleyball playoffs will consist of five (5) rounds of dual matches. The first *four* (4) rounds will be held at the site of the higher-seeded team, with the championships to be held at neutral sites. (NOTE: A GHSA "universal" coin flip will be held in the event same-seeded teams meet in any round.)

1. All playoff matches will be a best-of-five, single-elimination format.
2. The seeding for the playoffs will be determined by a team's finish in region/area competition or tournament.
3. Finances for all classes **through the Semifinal Round** will be handled as follows:
 - (a) *Admission fee for the First and Second Rounds is \$8.00 per day. Admission fee for the Quarterfinals and Semifinals is \$10.00.*
 - (b) The GHSA will receive 12% of the gross gate receipts.
 - (c) Officials' fees will be taken from the gross gate receipts and paid by the host school.
 - (d) The visiting team will be paid mileage at the GHSA-approved rate.
 - (e) Any residual funds will be split between the teams.
 - (f) The host school will be entitled to all concession funds.
4. Finances for the **Championship matches** shall be handled as follows:
 - (a) Ticket prices are TBD and will be published on the GHSA web site.
 - (b) The gate receipts will be sent to the GHSA office.
 1. GHSA will retain 12% of the gross receipts.
 2. GHSA will pay the officials.
 3. Any funds remaining will be disbursed to the competing teams.
5. The number of **free admissions** for "traveling parties" of participating teams at playoff contests shall be a maximum of 20 players and team essential personnel. Coaches will be admitted with GHSA coaching passes.
6. Line Judges will be supplied by the various officials' associations for all post-season matches.

**SECTION 18
WRESTLING**

GENERAL INFORMATION:

- A. Wrestling will be a state open meet with separate competitions for classes A through 7A and Girls. Traditional wrestling teams will compete in Region/Area Tournaments (Classes A through 3A and Girls will be divided into eight (8) Areas each, while classes 4A through 7A will be divided into eight (8) Regions each), a State Traditional Tournament and the State Traditional Finals. There will also be separate competitions in Team Dual Wrestling. Beginning and ending dates for practice and competition can be found at the front of this publication.
- B. The National Federation Wrestling Rules shall be the official rules for Georgia schools with the exception of any special regulations found in this section.
- C. Notification of entry in Wrestling must be filed with the GHSA office no later than March 1 for the next school year. Schools in Classes A through 3A will be assigned to a geographic area by the GHSA Executive Director, and then will be notified of that assignment. Schools in Classes 4A through 7A will compete in their assigned Regions.
- D. Free Style and Greco Roman wrestling are considered to be the same sport as Folk Style (high school) wrestling and are subject to GHSA rules concerning illegal practices.
- E. A school may enter its wrestling team in competition for twenty (20) playing dates, not including post-season competition. A school may enter its girls wrestling team in competition for *twenty (20)* playing dates, not including post-season competition. *Wrestling will become a Dual Gender sport for the 2023-24 school year.* NOTE: After December 31, no new wrestling competitions may be scheduled unless approved by the GHSA Executive Director.
1. The maximum number of days for an invitational tournament is two (2) dates.
 2. A student may not wrestle more than five (5) matches per day. Forfeits do not count toward the daily match limit.
 3. Contestants must have 45 minutes rest between matches.
 4. A wrestler may wrestle in both a varsity and a sub-varsity match on the same day as long as that wrestler does not exceed the maximum number of matches allowed for that day.
 5. It is permissible for coaches to use "split squads" during the regular season. However, the use of split squads will count as two (2) of that school's maximum allowed competitions.
 6. *All girls vs. girls Dual and Traditional results should be entered into **TrackWrestling**.*
- F. Beginning and ending dates for practice and competition can be found at the front of this publication.
1. A school shall not allow its team to engage in any interscholastic exhibition, practice, and/or scrimmage match, except for one (1) interscholastic scrimmage consisting of a Tri-match on a school night or a Quad-match on a non-school night format with officials registered with the GHSA.
 2. A practice shall involve only eligible students in the member school and their approved coaches. Participation by outside individuals constitutes an illegal practice.
 3. Wrestling matches in practice must be conducted in adherence with National Federation and GHSA rules, and will involve only eligible team members.
 4. Schools having contestants in the State Tournament may provide a teammate of comparable size to practice for the State Tournament.
 5. There will be no Spring practice for Wrestling.
- G. Weight classifications shall be as follows:
- | | | | |
|----------|----------|----------|----------|
| 106 lbs. | 132 lbs. | 157 lbs. | 190 lbs. |
| 113 lbs. | 138 lbs. | 165 lbs. | 215 lbs. |
| 120 lbs. | 144 lbs. | 175 lbs. | 285 lbs. |
| 126 lbs. | 150 lbs. | | |
- Girls weight classes when **girls are wrestling girls** shall be as follows:*
- | | | | |
|----------|----------|----------|----------|
| 100 lbs. | 120 lbs. | 140 lbs. | 170 lbs. |
| 105 lbs. | 125 lbs. | 145 lbs. | 190 lbs. |
| 110 lbs. | 130 lbs. | 155 lbs. | 235 lbs. |
| 115 lbs. | 135 lbs. | | |
1. When there are consecutive days of team competition, there shall be a one (1) pound additional allowance granted each day for all wrestlers (up to a maximum of two (2) pounds for any weigh-in). In order to be granted this one (1) pound additional allowance, a minimum of 48 hours advance notice is required for the opponent(s).

NOTE: There shall be no consecutive day weight allowance granted for teams/athletes which compete the day before any post-season championship series tournament.

2. The GHSA does not approve any practice that endangers the health and safety of wrestlers. Crash dieting, the use of diuretics and other drugs for rapid weight reduction, the use of a sweat box, any type of vinyl or plastic sweat suit or bag, hot showers, whirlpool, or any other type of artificial heat device for rapid weight reduction is prohibited.
 3. Effective for ALL weekday meets and tournaments, all weigh-in procedures of the National Federation (Rule 4-5) will apply.
 4. In tournament competitions (regular season dual and invitational, and the State Championship series), wrestlers shall **not** have an option to weigh-out at the conclusion of the first day of competition. All weigh-ins shall take place prior to the start of competition each day.
 5. All contestants may engage in legal weight loss activities on site until weigh-ins begin. Once weigh-ins begin, activities that promote weight loss/dehydration or weight gain are prohibited. Contestants shall not leave the designated weigh-in area unless permission is granted by the school administrator or meet director.
 6. Only two (2) certified coaches (affiliated with the school of the athlete on the mat) will be allowed at mat side during regular season tournaments and at the Region/Area Tournament, State Tournament and State Finals.
- H. Coaching requirements:
1. All coaches are required to complete the GHSA/NFHS Wrestling Rules Clinic which includes the policies and procedures for the "Wrestling Weight Management Program" presented online via the GHSA web site.
 2. Failure to abide by the above requirements will result in fines assessed against the school.
 3. Prior to all competitions, coaches must present a properly-dated weigh-in roster (created no more than three (3) calendar days prior to the event) to the head official, demonstrating that the Weight Management Program is being followed.
- I. All wrestling matches shall be held with officially-dressed wrestling officials who are registered under the GHSA plan for the registration of officials.
1. Before each meet, the referee shall perform skin checks and sign a verification form.
 2. The referee shall also check for items outlined as pre-meet duties for officials in the NFHS Wrestling Rules Book.
- J. Appropriate health-care professionals shall be available at all wrestling tournaments.
- K. Communicable Skin Disorders:
1. The GHSA **strongly recommends** that wrestling mats be left unrolled during the competitive season, and be disinfected a minimum of three (3) times per week with a medically-approved cleansing solution.
 2. In the event an athlete develops a skin disorder or skin lesion that is considered contagious, the school must complete and provide the "Physician's Release for Wrestler to Participate" form. No other form of documentation will be accepted at the site of the competition. The release form is to be presented by the coach at the weigh-in or prior to competition. NOTE: The form and information can be found on the GHSA web site (www.ghsa.net).
- L. When a coach is charged with a flagrant misconduct penalty, that individual must go to a location outside the "sight and sound" of the competitive area, and can have no interactions with wrestlers or any other team personnel (removal from premises).

WEIGHT MANAGEMENT PROGRAM:

- A. All GHSA wrestling schools will participate in the mandatory and binding "Weight Management Program."
- B. Schools must enter weigh-in results in the computerized weight management program (OPC) within 48 hours of each weigh-in or before the next scheduled contest (whichever comes first). An athlete's weight descent plan ends on the Last Play Date indicated on the Beginning and Ending Dates table at the front of this publication; it is not necessary to enter Region/Area Traditional tournament weights into the OPC.
- C. The "Wrestling Weight Management Coaches Handbook," which contains details of program guidelines and forms, will be posted on the GHSA web site.
- D. Schools must have **all** scales used for wrestling weigh-ins certified annually by the Georgia Department of Agriculture (Fuels and Measures; 404-656-3605).

TEAM DUAL WRESTLING**GENERAL INFORMATION**

- A. Team Dual Wrestling will be a state open meet with separate competitions in all seven classifications and Girls. NOTE: The seeding committee will seed teams before the State Dual Elite Eight. *The Girls teams will be selected and seeded by using **TrackWrestling**.*
- B. National Federation and GHSA rules governing Traditional wrestling are in effect for Team Dual Wrestling.
- C. GHSA weight certification policies will apply to Team Dual Wrestling.
- D. Athletes may not wrestle at a weight class lower than allowed by the "Weight Loss Plan" of the GHSA Weight Management Program for that date.
- E. All wrestlers must weigh-in at each weigh-in of a multiple-day event, and they must weigh-in at the same weight class each time.
 - 1. A wrestler is only eligible for two weight classes during a multiple-day team advancement tournament.
 - 2. The weight classes for which a wrestler is eligible to compete are determined on the first day's weigh-in, and cannot change during the remainder of the event.
- F. Teams may weigh-in all eligible and weight class-certified wrestlers.

REGION/AREA TOURNAMENTS:

- A. The date(s) for the Region/Area Dual Tournaments shall be decided by each Region/Area, but all tournaments must be completed by the date indicated in the Beginning and Ending Dates table at the front of this publication.
- B. Officials are to be secured and paid by the Region/Area.
- C. Region ticket prices are set by the Region. Area ticket prices are \$8.00 per day, or a total tournament ticket for two-day events may be sold for \$14.00. The GHSA will receive 5% of the gross gate receipts.
- D. Schools which do not qualify for the State Dual Tournament may schedule individual matches and/or tournaments on the dates of the State Duals Tournament and Elite Eight.

STATE TOURNAMENTS:

- A. Four (4) teams from each Region/Area will advance to the double-elimination Team Dual State Tournament. The Team Dual Elite Eight for all classes *and Girls* will be held at a site or sites to be determined on the dates indicated in the Beginning and Ending Dates table at the front of this publication. (See the GHSA web site for final information).
- B. The teams advancing to the state tournament must be designated to the GHSA office immediately following the Region/Area Tournament.
- C. The GHSA will assign and pay all officials for State Championships.
- D. Trophies and medals will be provided by the GHSA and will be presented to the State Champion and the Runner-up in each classification.
- E. Each school participating in the State Dual Championship will be allowed **free admission** for a maximum of 24 wrestlers and team essential personnel. Coaches will be admitted with a GHSA coaching pass.
- F. Admission fees are TBD and will be posted on the GHSA web site.
- G. In the event the Region/Area or the State Dual Tournament and Elite Eight ends in a tie, the winner shall be determined using the National Federation tie-breaking system published in the Wrestling Rules Book (rule 9-2-2).
- H. All weigh-ins for the State Dual Tournament and Elite Eight will be in accordance with the NFHS Rule 4-5. Exact times will be determined by tournament administration.

TRADITIONAL WRESTLING**REGION/AREA TOURNAMENTS:**

- A. Region/Area tournaments in classes A through 7A *and Girls* may be held on the dates indicated in the Beginning and Ending Dates table at the front of this publication. Those hosting Region/Area Tournaments are encouraged to hold a one-day tournament whenever possible. NOTE: Hosts are required to run the tournament through **TrackWrestling**.
- B. Classes A through 3A *and Girls* will be divided into Areas with consideration to geographic proximity and to the number of schools involved. The top four (4) wrestlers in each weight class from each Region/Area Tournament (classes A through 7A *and Girls*) will advance to the State Tournament.
- C. A listing of all traditional Region/Area Tournament sites can be found on the GHSA web site.
- D. Officials are to be secured and paid by the Region/Area.
- E. All finances will be handled by the Region/Area, including all expenses, payment of officials and distribution of receipts.
- F. Region ticket prices are set by the Region. Area ticket prices are \$8.00 per day, or a total tournament ticket for two-day events may be sold for \$14.00. The GHSA will receive 5% of the gross gate receipts.
- G. Scoring for wrestlers failing to report, failing skin checks, not weighing in or not making weight will follow NFHS guidelines for forfeitures.
- H. JV Region/Area Tournaments may be held as long as they are completed by the last play date of the season. The JV tournament date(s) will count toward the maximum number of playing dates allowed. JV Region/Area tournaments do not need GHSA sanctioning.

STATE TOURNAMENTS:

- A. All State Tournaments will be held on the dates indicated in the Beginning and Ending Dates table at the front of this publication.
- B. Schools in all classifications *and Girls* will be assigned to State Tournament sites. A listing of all State Tournament sites can be found on the GHSA web site.
- C. The top six (6) wrestlers in each weight class from each State Tournament will advance to the State Championship Finals. *In Girls, the top three (3) wrestlers in each weight class from each State Tournament will advance to the State Championship Finals.* NOTE: The State Tournaments are qualifying tournaments only, therefore no team scoring will be used. However, penalties which normally result in team point assessments will have the team point(s) deducted at the start of the State Championship Finals.
- D. Officials in all classes *and Girls* will be assigned and paid by the GHSA.
- E. All replacements for wrestlers who qualified for the *Sectional Tournaments* and State Tournaments should be reported to the GHSA office by noon on the Wednesday immediately following the Region/Area Tournament *and Sectional Tournaments*.
- F. Admission fees for State Tournaments will be posted on the GHSA web site.

STATE CHAMPIONSHIP FINALS:

- A. The Traditional State Finals will be held at the Macon Centreplex on the dates indicated in the Beginning and Ending Dates table at the front of this publication.
- B. Reports of wrestlers advancing to the State Finals must be transmitted electronically to Track Wrestling no later than 10:00 p.m., on the date the State Tournament is completed. Specific reporting instructions will be forwarded to each State Tournament Director.
- C. All replacements for wrestlers who qualified for the State Finals should be reported to the GHSA office by noon on the Wednesday immediately following the State Tournament. A wrestler who cannot wrestle (for any reason) at the

State Tournament may be replaced by an alternate (from the same State Tournament) prior to the Wednesday preceding the State Finals.

- D. Wrestlers must wrestle in the Region/Area and State Tournaments at the weight certified in accordance with all provisions of the GHSA Wrestling Weight Management Program.
 - 1. All weigh-ins for the State Championship Finals will be in accordance with the NFHS Rule 4-5.
 - 2. Exact weigh-in times will be determined by tournament administration.
- E. Admission price for the State Finals is TBD and will be posted on the GHSA web site.
- F. Each school participating in the State Finals will be allowed **free admission** for all wrestlers who qualify for the tournament and *any wrestlers and wrestlerettes who volunteer to work the tables at the State Championships*.
- G. Schools having athletes qualified for the State Finals must electronically submit the "Roster of Admissions Form" found on the GHSA MIS website. The deadline to submit this form is noon on the Monday immediately following the State Tournament. Only persons listed on this form will be admitted without charge.
- H. The State Finals will be scored to six (6) places.
- I. Full wrestlebacks (double elimination) will be allowed in all classifications. Cross-bracketing shall be used for wrestlebacks.
- J. *Each school will be assessed \$2.00 per participating wrestler to cover the rental and cleaning of the state championship site.*

ESPORTS

GENERAL INFORMATION:

- A. Esports is a state championship co-ed event open to all GHSA schools in all classifications.
- B. There will be a fall season and a spring season each year, with specific dates published on the GHSA web site.
- C. Each game's championship will be determined by a single-elimination tournament.
- D. Each team will consist of 3-5 players depending on the requirements of the specific game. Alternates may be chosen, and multiple teams are allowed.
- E. Eligibility reports are required for all participants.
 - 1. Participants must be academically eligible as specified in by-law 1.50, and cannot be a migrant student as defined in by-law 1.60.
 - 2. Eligibility reports must be received in the GHSA office at least 20 calendar days prior to the first contest.
- F. All matches and game rules will be overseen and managed by PlayVS. In addition to PlayVS rules, schools must follow GHSA by-laws, which will take precedence over PlayVS procedures. *All Esports participants are reminded they must follow GHSA by-law section 1.90 concerning **Amateur Status/Awards**.*
- G. PlayVS will specify equipment needed for competition in each game. In general, coaches should have access to the communication platform utilized by PlayVS.
- H. Sportsmanship of coaches and players will be monitored by PlayVS and the GHSA.
- I. Rosters will be managed during registration for the games with PlayVS.
- J. All practices and matches must be conducted in the physical presence of a certified coach. Students may not play GHSA Esports from home.
- K. Forfeitures without timely communication beforehand may be grounds for fines and/or other penalties.
- L. The State Coordinator for Esports is Tanya Anderson (tanyaanderson@ghsa.net).

LITERARY

GENERAL INFORMATION:

- A. *Literary is a Fine Arts and Academic event that produces State Champions in each classification.*
- The Literary events include the following:
 - Literary Interpretation* - Solo Dramatic, Solo Humorous and Duo (dramatic or humorous)
 - Essay - Personal, Argumentative and *Literary Analysis*
 - Extemporaneous Speaking - Domestic and International
 - Music Events: Boys Solo, Girls Solo, Trio and Quartet
 - Eligibility reports are required for all Literary contestants.
 - Contestants must be academically eligible as specified in By-Law 1.50, and can not be a migrant student as defined in By-Law 1.60.
 - Eligibility reports must be received in the GHSA Office at least twenty (20) calendar days prior to the first contest.
- B. The rules and regulations of the GHSA as developed and enforced by state and region personnel and as published in the GHSA Constitution and By-Laws shall govern the operation of all Literary meets.
NOTE: It is important that all rules be followed precisely in all competitions leading up to the state competition in order to avoid "surprise" disqualifications.
- C. In Literary, a student may represent their school in not more than two (2) individual events and one group event, or two (2) group events and one individual event. A school may have only one entry per contest. NOTE: There may be a conflict in schedule when a student is in two events.
- D. *Schools are encouraged to avoid using the same performance selections in consecutive years.*
- E. In Literary, audiences will be allowed in the competition room (if space allows) for all events with the exception of *Essay and the Extemporaneous Speaking Prep Room.*
- F. Photography or video or audio recording will not be allowed at any GHSA Literary event or One Act Play.
- G. Each school wishing to enter Literary must notify the Region Secretary by the deadline date.
 - The Literary "Contestants List" Form must be **electronically** filed at app.ghsa.net by February 1.
 - The Region Literary Meets may be held on any date after February 18 provided they are completed by March 11, 2023.
 - The State Literary Meets will be held on the date indicated in the Beginning and Ending Dates table at the front of this publication. Schedules will be posted on the GHSA web site.

REGION INFORMATION:

- A. The first-place winner from every region in each Literary event qualifies for the State Meet.
 - When the first-place winner in a region cannot compete in the State Meet, the next person or group in the order of finish may replace the original winner.
 - The school whose winner will not compete must notify the Region Secretary so the replacement can be notified.
 - The Region Secretary must notify the GHSA Office about any changes in contestants.
 - The deadline to make any changes is the Thursday at noon prior to the State Meet**, unless special circumstances exist.
 - In a Region Meet where there is a tie in any event involving more contestants than the region is entitled to enter in the State Meet, the contest among the tied competitors must be continued or re-held until one representative can be determined.
 - In this situation, the points shall be divided equally among the persons or groups who were tied in the original competition.
 - The extended competition shall carry no points.
 - Ties in the State Meet shall stand, and the points shall be divided equally among those who are tied.
 - If, because of very unusual circumstances, two students or groups of students are allowed to represent a Region at State Literary for the same position, only one of these can score at the State Meet.

- B. The GHSA Office will furnish each Region Secretary with a copy of score sheets that will be used in region competitions.
1. The same score sheet used in region competition will be used at the State Meet.
 2. The GHSA score sheet includes:
 - (a) space for the tabulator to note the amount of time allotted for the event and the amount of time used by the contestant.
 - (b) space for the rank of the contestant to be clearly noted
 - (c) a place in which to write the name of the selection(s) performed
 - (d) the number of possible points available
 - (e) space for written comments that reflect why points were deducted from presentations.
 3. Individual copies of the score sheet may be obtained from the GHSA Office or the GHSA web site.
- C. Miscellaneous Regulations:
1. During competitions, contestants will be identified by order of appearance numbers **ONLY**.
 2. A director/coach is expressly prohibited from conducting during a musical contest at the region and state competitions.
 3. Digitally created music downloaded from the Internet may be used so long as all copyright laws have been met. It is the school's responsibility to make sure all copyright laws have been met. There must be proof provided to the judges at the time of check-in with website documentation in the case of music being downloaded from public domain websites.
 4. Each school having one or more students participating must have a school representative at the Region and State Meets.
 5. Judges will rank the contestants based on the point totals of each contestant.
 - (a) Winners will be chosen by adding up the rankings of each judge.
 - (b) There can be no tied rankings or point totals on any judge's score sheet. NOTE: Judges shall not score a presentation below 70 except in very unusual circumstances.
 - (c) In the event of a tie between contestants when the rankings are tallied, point totals will be used to break the tie.
 - (d) All decisions are final. Mistakes due to mathematical errors or decisions made contrary to GHSA rules that are discovered before or after the decision of the judges shall be corrected.
 - (e) Judges will be seated in different parts of the competition room, and will render their decisions without conferring. NOTE: When necessary, judges may sit together to view a single piece of music, but they may not confer with one another.
 6. The presiding official at each event shall not (by word, gesture, or any other expression) indicate approval or disapproval of the performance of the contestant.
 7. For timed events:
 - (a) an **adult timekeeper (may not be a high school student) MUST** be present at all region and state events.
 - (b) the timekeeper shall not be a judge.
 - (c) The **adult timekeeper** will show time cards, record times and provide them to the event coordinator or tabulator at the end of the competition.
- D. Point totals for determining the Region Champion and State Champion in Literary are as follows:
First place - 7 points; second place - 5 points; third place - 3 points; fourth place - 1 point. NOTE: If two contestants finish with equal ranking points and numerical points, each school will receive half the points for the two positions combined.

STATE INFORMATION:

- A. The State Literary Coordinator is **Tim Harris** (e-mail: tim.harris@bufordcityschools.org).
- B. The GHSA will provide:
1. A competent person at each State Literary Meet to discuss the rules with the judges prior to the contest.
 2. Two competent judges to adjudicate each competition.
 3. Written copies of the rules for each competition.
- C. Completed score sheets at the State Meet are submitted by the judges to the chairperson of each contest.
1. The chairperson will place the score sheets in a properly marked envelope, seal it, and turn it in to the GHSA representative.
 2. The envelope will be opened by the GHSA representatives who will tabulate the results and announce the winners.
 3. In the event of error by the judges (i.e., mathematical errors, having tie scores, etc.) the score sheets will be returned to the judges for correction.

4. All judges decisions are final. Protests are not allowed. (Note: Judges do not disqualify. They submit reasons they would disqualify to Region or State Chairpersons to confer, as needed, with a GHSA representative.)
- D. Schedules for the State Meet will be posted on the GHSA web site.

SECTION L1
LITERARY INTERPRETATION

- A. Separate contests will be held in Solo Dramatic Interpretation, Solo Humorous Interpretation and Duo Interpretation (dramatic or humorous) in all classifications.
- B. This is a competition involving the communication of prose, poetry, and/or dramatic literature.
1. The selection should be of good literary value *and taken from a book, play, musical or online written source. Student-written pieces and selections from television or movie scripts, video games or social media platforms are **not** allowed.*
 2. The contestants are judged on how well they communicate the author's meaning to the audience.
 - (a) The contestant is expected to give the audience a brief introductory statement about the selection(s), including the author, title and a brief context (This introduction is not required to be presented at the beginning, but can be embedded into the presentation.)
 - (b) The material must be memorized and delivered without the use of a manuscript.
 - (c) No costumes, props, music, or sound effects may be used in the presentation. The area of presentation should be completely vacant.
NOTE: Definition of Properties from The Stage and The School, 8th Edition, 1999, page 600: All the stage furnishings, including furniture and those things brought onstage by the actors; also called props.
 - (d) Movement, physical contact and eye contact are allowed.
 - (e) Coaches are encouraged to develop interpretations *that are unique and not copied from other sources or online performances.*
 3. *Contestants participating in solo interpretation (dramatic or humorous) should portray a minimum of two characters in their presentation.*
 4. A student may participate in only one individual contest in Literary Interpretation but may also enter in the group event of Duo as per GHSA Rules. (GHSA Literary students may enter two (2) individual events and one (1) group event, or one (1) individual event and two (2) group events. The two (2) individual events cannot be in the same discipline.)
 5. Roles/characters in Duo Interpretation must be balanced. In other words, one performer should not speak the majority of the time.
- C. Each contestant's interpretation must be a minimum of five (5) minutes and no more than ten (10) minutes in length.
1. The time allotment includes the introduction to the interpretation.
 2. An **adult timekeeper** (may not be a high school student) **MUST** be present, and time cards will be used, if requested.
 3. *Any performance that does not meet the minimum length (5 minutes) or exceeds the maximum length (10 minutes) will be scored but cannot be ranked First.*
- D. If the order of performance is not assigned by the GHSA, contestants shall draw for order of presentation upon reporting to the site of the competition.
1. Contestants who are not present at the time of the drawing, will have their position drawn for them.
 2. Contestants who have conflicts with other Literary events should consult with the GHSA prior to the contest, and may have early or late presentation positions designated for them.
 3. The first place winner in each Region competition shall advance to the State competition.
 4. Judges shall follow scoring directions provided by the GHSA office.
- E. There shall be two (2) judges assigned to this competition at the *Region* and State levels.
1. The following criteria will be considered in the judging:
 - (a) selection of material
 - (b) communication skills
 - (c) vocal technique
 - (d) *physical* technique
 2. The judges shall use GHSA scoring sheets and shall follow scoring directions given to them by the GHSA Office.

SECTION L2 ESSAY

- A. Separate contests will be held in Argumentative Essay, Personal Essay and *Literary Analysis* in all classifications. *A student may compete in only one (1) of the essay categories.*
- B. This is an on-the-spot writing contest in which contestants are provided with topics on which to write.
- The GHSA Office shall select at least three (3) topics for the contests in Argumentative Essay and Personal Essay, and two (2) topics in the Literary Analysis contest.
 - Argumentative Essay topics will be selected from current events discussed in the media *through the end of January prior to the competition.*
 - Personal Essay topics will be *short prompts designed to elicit creative and descriptive narrative responses.*
 - Literary Analysis topics will be excerpts from prose or poetry *along with a prompt that directs students to use evidence, support and commentary to develop a defensible interpretation of the excerpt.*
 - For the Region competition, the GHSA Office will send the topics to the Region Secretary (or their designee) in sealed envelopes, and the seal will be broken for the first time in the presence of the contestants at the competition site.
 - For the State competition, the GHSA Office will send topics to the State Literary hosts in sealed envelopes, and the seal will be broken for the first time in the presence of the contestants at the competition.
 - Topics used at State Literary will be different from those used at Region Literary.
- C. Contest Rules:
- Contestants will compete at the same time in a group setting.
 - Contestants will have one (1) hour to write their essay. *Contestants must stop writing when time is called.*
 - Contestants may NOT use a dictionary or other reference materials during the competition.
 - Essays shall be written *on lined paper in blue or black ink.*
 - Visually-challenged students will be allowed to use of a keyboard.
 - Contestants must provide their own paper and pens.
 - This is an on-the-spot writing contest. Any evidence of pre-written, memorized or plagiarized compositions will result in disqualification.*
 - The first place winner in each Region competition shall advance to the State competition.
- D. Judging Criteria:
- The essays shall be judged on the following:*
 - Thesis & Line of Reasoning (20%)*
 - Content & Development (20%)*
 - Analysis & Support (20%)*
 - Organization & Structure (20%)*
 - Style & Sophistication (20%)*

SECTION L3 EXTEMPORANEOUS SPEAKING

- A. Separate contests will be held in Domestic and International Extemporaneous Speaking in all classifications.
- B. This is a speaking contest in which contestants are provided with a selection of topics dealing with current national and international issues that have been discussed in periodicals since September 1, of the current year that have been compiled by the GHSA Office. The GHSA will distribute three (3) general areas that topics will be chosen from in both Domestic and International Extemporaneous, in late January.
- Contestants will be allowed to use one note card (either 3x5 or 4x6) during the speech. **NOTE:** *Contestants who use more than one notecard or something other than a notecard of the specified size will be scored, but cannot place in the Top 4.*
 - Thirty (30) minutes before the contest is scheduled to begin, the student who is to speak first shall draw three (3) topic cards and select one (1) on which to speak. The remaining two topics are returned.
 - Contestants will draw for topics at seven (7) minute intervals in the order of presentation.
 - The presiding official of the contest shall record the contestant's name, contestant's school, position for presentation, and topic drawn.
 - A student may compete in only one of the two Extemporaneous Speaking disciplines.
- C. The procedure for the contest shall be as follows:
- After each student has drawn a topic, that student will be escorted to a room where he/she will have 30 minutes to prepare a speech in brief, outline form.

- (a) *Students should not compose and read an entire speech from their notecard.*
 (b) *Students cannot leave the prep room during their 30-minute prep time.*
2. Contestants may not receive assistance from another person, but may use any paper copy materials that have been brought to the site as well as self-contained computers or laptops. (Cell phone and/or smart phone use and Internet access IS NOT allowed and will result in disqualification. *Cell phones must be left outside the prep room or with the monitor*). Contestants may make use of a *computer or laptop* to store and to retrieve subject matter only. NOTE: If the Internet is needed to retrieve stored material, this retrieval will **not** be allowed.
 3. At the end of the preparation time, the contestant will be escorted to the presentation area and the contestant shall give a copy of the selected topic to a judge.
 4. Each contestant shall be allotted seven (7) minutes in which to deliver the speech. Adult timekeepers (cannot be a high school student) must be present and time cards shall be used. *Contestants that exceed the time limit (7 minutes) will be scored, but cannot be ranked First.*
 5. The first place winner from each Region competition shall advance to the State competition.
- D. There shall be two (2) judges for Extemporaneous Speaking at the Region and State competitions.
1. The judges shall take into consideration the following components:
 - (a) *Thesis & Content (20%)*
 - (b) *Development & Support (20%)*
 - (c) *Organization & Structure (20%)*
 - (d) *Language & Delivery (40%)*
 2. The judges shall use GHSA score sheets and shall follow scoring directions given to them by the GHSA Office.
- E. If the order of performance is not assigned by the GHSA, contestants shall draw for order of presentation upon reporting to the site of the competition.
1. Contestants shall report to the drawing area *at the designated time set for the contest.*
 2. Contestants who are not present at the time of the drawing, will have their position drawn for them.
 3. Contestants who have conflicts with other Literary events should consult with the GHSA prior to the contest, and may have early or late presentation positions designated for them.

SECTION L4 TRIO & QUARTET

- A. *Trio and Quartet are singing competitions held in all classifications.*
1. The singing parts for these events are as follows:
 - (a) Trio - Soprano 1, Soprano 2, Alto
 - (b) Quartet - Tenor 1, Tenor 2, Bass 1, Bass 2
 2. Two selections shall be sung from memory.
 - (a) Both selections shall be appropriate for a small group of singers.
 - (1) *For Trio, both selections should be specifically arranged for SSA and should conform to copyright law.*
 - (2) *For Quartet, both selections should be specifically arranged for TTBB and should conform to copyright law.*
 - (b) Both selections must be copyrighted, published pieces, and not arrangements of instructional or choral pieces. *Please limit divisi (i.e., limit to cadences, isolated measure, etc.).*
 - (c) One selection must be one of the following:
 - (1) chorale
 - (2) madrigal
 - (3) art song
 - (4) folk song
 - (5) spiritual song
 - (d) *One selection must be a cappella.*
 - (e) *Any group that does not perform selections that meet the above stated criteria will be scored, but cannot place in the Top 4.*
 3. *A legal copy of the music to be performed must be presented to the judges.* The performance should match the instrumentation of the arrangement of the music presented to the judges. (For example, a cappella arrangements should be performed a cappella. Accompanied arrangements should be performed with appropriate accompaniment - points may be deducted for failure to comply.)
 - (a) Live piano accompaniment is the only form allowed (no recordings allowed).
 - (b) Contestants must bring their own accompanist if one is to be used.
 - (c) *Any group that does not present music to the judges will be scored, but cannot place in the Top 4.*

4. Each group shall be allotted eight (8) minutes to perform their selections. *Any group that exceeds the time limit (8 minutes) will be scored, but cannot be ranked First.*
 5. An adult is expressly prohibited from conducting during any musical contest at the Region or State levels.
 6. One (1) substitution will be allowed advancing to the State Meet after Region competition.
- B. If the order of performance is not assigned by the GHSA, contestants shall draw for order of performance upon reporting to the site of the competition at the scheduled time.
1. Contestants who are not present at the time of the drawing, will have their position drawn for them.
 2. Contestants who have conflicts with other Literary events should consult with the GHSA prior to the contest, and may have early or late presentation positions designated for them.
 3. At the time of check-in at the competition site, an original copy of the music (may be computer generated) will be presented for viewing by the judges. Each school is responsible for meeting copyright laws. There must be proof provided with website documentation in the case of music being downloaded from public domain websites.
- C. Judging Procedures:
1. Two judges will be used for the Trio and Quartet competitions.
 - (a) Judges shall not confer with one another during the competition, but they may sit near one another to view the copy of the music.
 - (b) Tabulation of score sheets shall be handled independently.
 2. Judges shall follow scoring directions provided by the GHSA Office.
 3. Judging criteria are as follows:
 - (a) *Musical Knowledge: Pitch Accuracy, Rhythm Accuracy (20%)*
 - (b) *Vocal Technique: Tone, Diction (20%)*
 - (c) *Musicianship: Tempo/Style, Phrasing, Dynamics (30%)*
 - (d) *Other Observations: Ensemble, Stage Presence, Choice of Music (30%)*

SECTION L5 SOLO

- A. Separate contests will be held for boys and girls in vocal Solo.
- B. Two selections shall be sung from memory:
1. One selection must be from the standard repertory of the art song, oratorio aria, or operatic aria, folk or spiritual. *Any contestant that does not perform selections that meet this stated criteria will be scored, but cannot place in the Top 4.*
 2. *Both selections should be from appropriate solo literature and not arrangements of instructional or choral pieces. All music selected should conform to copyright law.*
 3. *A legal copy of the music to be performed must be presented to the judges.* The selections may be sung with or without accompaniment. The performance should match the instrumentation of the arrangement of the music presented to the judges. (For example, a cappella arrangements should be performed a cappella. Accompanied arrangements should be performed with appropriate accompaniment - points may be deducted for failure to comply.)
 - (a) Live piano accompaniment is the only form allowed (no recordings allowed).
 - (b) Soloists must bring their own accompanist if one is to be used.
 - (c) *Any contestant that does not present music to the judges will be scored, but cannot place in the Top 4.*
 4. Each Soloist shall be allotted *eight (8) minutes* to perform their selections. *Any contestant that exceeds the time limit (8 minutes) will be scored, but cannot be ranked First..*
 5. An adult is expressly prohibited from conducting during any musical contest at the Region or State levels.
 6. Soloists are not allowed to use any type of instrument or prop.
- C. If the order of performance is not assigned by the GHSA, contestants shall draw for order of performance upon reporting to the site of the competition at the scheduled time.
1. Contestants who are not present at the time of the drawing, will have their position drawn for them.
 2. Contestants who have conflicts with other Literary events should consult with the GHSA prior to the contest, and may have early or late presentation positions designated for them.
 3. At the time of check-in at the competition site, an original copy of the music (may be computer generated) will be presented for viewing by the judges. Each school is responsible for meeting copyright laws. There must be proof provided with website documentation in the case of music being downloaded from public domain websites.
- D. Judging Procedures:
1. Two judges will be used for the Solo competition.

- (a) Judges shall not confer with one another during the competition, but they may sit near one another to view the copy of the music.
- (b) Tabulation of score sheets shall be handled independently.
- 2. Judges shall follow scoring directions provided by the GHSA Office.
- 3. Judging criteria are as follows:
 - (a) *Musical Knowledge: Pitch Accuracy, Rhythm Accuracy (20%)*
 - (b) *Vocal Technique: Tone, Diction (20%)*
 - (c) *Musicianship: Tempo/Style, Phrasing, Dynamics (30%)*
 - (d) *Other Observations: Artistry, Stage Presence, Choice of Music (30%)*

ONE ACT PLAY

GENERAL INFORMATION:

- A. One Act Play is a Region event in all classifications.
 - 1. Each school wishing to enter One Act Play must electronically submit notification of entry at GHSA MIS no later than October 1.
 - 2. Principals must review the school's play and approve the notification of entry stating that the presentation is acceptable and approved to represent the school in the competition.
 - 3. Region winners must be determined by the date indicated in the Beginning and Ending Dates table at the front of this publication, and the Region Secretary must file the winner of the Region competition electronically at GHSA MIS immediately following the Region competition.
 - 4. GHSA One Act Play is an acting composition. Emphasis should be on acting, not on technical elements.
 - 5. One Act Play Directors designated by each GHSA school MUST complete an annual online One Act Play Coaches Clinic or the school will be fined. Supporting coaches are encouraged to complete the clinic.
 - 6. Admission may not be charged for One Act Play competitions.
 - 7. No photography or video or audio recording is allowed of any One Act Play performance.
- B. The GHSA State One Act Play Coordinator and Director of Adjudicator Training is **Dean Slusser** (e-mail: dslusser@camden.k12.ga.us).
- C. The Region Secretary, or a designated Region One Act Play Coordinator, shall make arrangements for the Region One Act Competition.
 - 1. Three GHSA certified judges are required for each Region One Act Competition.
 - a. Region judges shall be recruited by the Region Secretary, Region One Act Play Coordinator, or by such means as determined by the Region.
 - b. Questions about certification, assistance in the recruitment of Region judges, and/or information about opportunities for one act play adjudicator training may be directed to GHSA Adjudicator Training Coordinator, Dean Slusser at dslusser@camden.k12.ga.us.
 - c. The Region Secretary or other individual tasked with recruiting judges shall designate a Lead Judge at the Region event. The event coordinator will bring any questions about rule interpretation, possible violations, or other concerns to the attention of the Lead Judge for consultation and to determine how to proceed.
 - d. Judges shall not discuss their scores or rankings with one another, or otherwise discuss the plays in the competition, until after all judges have submitted their completed scoresheets to the tabulator or event coordinator.
 - e. On the day of the contest, judges shall avoid contact with directors or cast members until after the winners are announced.
 - 2. Plays are to be announced by the order of appearance number and the title of the play. School names shall not be announced.
 - 3. Only eligible students are allowed on stage during play performance.
 - a. Piano placement must be outside the performance area if an adult is playing.
 - b. Adults and migrant students may assist in loading and unloading of sets only prior to starting time and once time has stopped. This policy includes the placement of speakers and monitors from the front of the stage onto the apron.
 - c. Adults and migrant students may assist with pre-show load in and post-show strike, but may not appear in the performance area, seen or unseen, while time is running.
 - 4. Score sheets can be found on the GHSA web site (www.ghsa.net) - Sports & Activities tab - One Act Play - Scoring Forms.
 - 5. Each Region will announce the following awards as appropriate:
 - a. Region Champion

- b. Runner-up
- c. 3rd Place
- d. 4th Place
- e. Best Actress
- f. Best Actor
- g. Up to two All-Star Cast awards may be presented to each production, but required recognition for every production shall be at the discretion of the Region.
- h. Other recognition as determined by the Region.

SPECIFIC CONTEST RULES:

- A. Schools may choose to enter a one act play or musical, or an excerpt or abridgement of a longer play or musical as their One Act Play selection.
 - 1. Each school assumes full responsibility for royalties and other limitations on the selected play.
 - 2. Schools choosing to enter musical productions shall not use a reproduction of the original soundtrack as part of the presentation.
 - 3. Musical accompaniment tracks must be licensed recordings without vocals. Professional vocals on accompaniment tracks are prohibited.
 - 4. A school may not compete with a play or musical that was produced or work-shopped in the previous school year or previous two summers. Schools found in violation of this rule will be disqualified from competition.
- B. Each school is given 55 minutes to set-up, perform, and take down its presentation.
 - 1. The official time will be kept by an assigned adult timekeeper.
 - 2. The adult timekeeper will record times and provide them to the tabulator at the end of the competition, after all the judges have completed scoring the plays.
 - 3. Any school that exceeds its time allotment will be penalized two (2) points for each 15-second period or portion thereof per judge.
 - 4. The tabulator, not the judges, will deduct points for overtime.
- C. The site host shall establish and tape "go lines" to separate the playing area from the backstage area.
 - 1. These lines shall be placed: at the wing line on stage right; at the wing line on stage left; at the mid-stage traveler line (or at mid-stage if there is no traveler); and at the upstage traveler line (or upstage, allowing for a backstage pathway, if there is no upstage traveler).
 - 2. All set pieces must be placed behind these "go lines" at the end of the 15-minute walk-through prior to time starting for the competition performance, and moved in FRONT of the lines in order to be considered on stage and used in the performance.
 - 3. Each director shall choose whether to use the mid-stage or upstage line to designate "off stage" for his/her school's production. The line selected to begin the performance shall be used to end the performance.
- D. Each school is responsible for its own sets.
 - 1. Each school will be allotted a 15-minute walk-through immediately prior to its competition performance. Schools may use this time for any show prep activities they choose, including, but not limited to: walking the stage; setting sound levels; running light checks or cues; practicing set-up and strike.
 - 2. All production-related materials must be back in their pre-show positions behind the "go lines" by the end of 15 minutes. If they are not set up at the end of that 15-minute interval, timing of their play begins and counts towards their 55-minute limit. TIME WILL NOT BE STOPPED TO ALLOW FOR COMPLETION OF THE SHIFT.
 - 3. Spike tape may be placed during the 15-minute walk-through, and may remain through the end of the performance, but must be removed before timing will be stopped.
 - 4. Schools are timed "bare-stage to bare-stage." Time will not stop until all set pieces, confetti, or other debris has been removed from the defined playing area.
 - 5. Keep sets simple. Sets are not to be excessively large or so complicated as to delay the flow of the competition.
 - 6. Only free-standing set pieces may be used. No part of any setting may be attached to any part of the stage, curtains, draperies, or other existing equipment of the host school.
- E. Each school is responsible for its own props, costumes, make-up and special effects.
 - 1. No flame of any type can be used, including candles.
 - 2. Real weapons of any kind, such as a sword or knife, etc., cannot be used.
 - 3. Schools using simulated weapons must carry with them a letter from the school principal authorizing their use, and must confirm permission with the site host that the use of simulated weapons is allowed by the host school and/or system.

4. Use of simulated weapons cannot be in violation of any local board of education policy of the participating school or the host site. Violation of this rule will result in disqualification (zero tolerance rule). Contact the host school for any clarification of its rules.
5. The use of microphones is allowed.

ADDITIONAL GUIDELINES FOR REGION/AREA AND STATE COMPETITION:

- A. The facilities that will be used for One-Act Play competitions will not be available for practice or walk-through by any school in the State competition.
- B. Schools will be responsible for making their own arrangements for housing and meals.
- C. Trophies and individual medals will be awarded to the State Champion and Runner-up schools, and medals will be awarded to the Outstanding Actor and Outstanding Actress in the competition. Up to two All Star Cast Certificates may be presented to each production, but there is no requirement that every show receives recognition.
- D. Scoring procedures for both Region and State contests shall be as follows:
 1. No judge shall assign a numerical score lower than 70.
 2. Each judge shall submit completed, signed score sheets to the event tabulator, after which the judges may engage in discussion concerning awards for Best Actor, Best Actress and All-Star Cast.
 3. At each Region and State competition, final tabulations should be conducted by a designated tabulator or by the event coordinator. Judges should not tabulate scores. Judges should have no knowledge of the length of performances. The timekeeper shall report times of performances to the event coordinator or tabulator only. The time for each performance should be recorded on the tabulation form.
 4. In order to determine the final results for Region and State competitions, the lowest rank will be dropped by the tabulator for each performance. The two remaining ranks added together will determine placement. In the event of a tie in ranks, points shall first be totaled from the two judges for each play who gave the highest score. Only in the event that the tie remains unbroken shall the points for all three judges be totaled to break the tie.
 5. A copy of the tabulation sheet shall be provided to each director in the competition.

ADDITIONAL GUIDELINES SPECIFIC TO STATE COMPETITION:

- A. Three GHSA certified judges are required for each State One Act Competition.
 1. Prior to the first contest of the season, a pool of State judges shall be recruited by State One Act Coordinator, Dean Slusser.
 2. State judges must meet requirements for state one act judges as approved by the GHSA.
 3. The State One Act Coordinator shall designate a Lead Judge for each of the Host sites. The site coordinator will bring any questions about rule interpretation, possible violations, or other concerns to the attention of the Lead Judge for consultation and to determine how to proceed.
 4. Judges shall not discuss their scores or rankings with one another, or otherwise discuss the plays in the competition, until after all judges have submitted their completed scoresheets to the tabulator or event coordinator.
 5. On the day of the contest, judges shall avoid contact with directors or cast members until after the winners are announced.
- B. The schedule for **All Classes** shall be:
 - 9:00 - 10:15 am - Region 3
 - 10:15 - 11:30 am - Region 4
 - 11:30 - 12:45 pm - Region 5
 - 12:45 - 2:00 pm - Region 6
 - 2:00 - 3:00 pm - RECESS
 - 3:00 - 4:15 pm - Region 7
 - 4:15 - 5:30 pm - Region 8
 - 5:30 - 6:45 pm - Region 1
 - 6:45 - 8:00 pm - Region 2
 - 8:00 - 8:30 pm - Judges' Deliberation
 - 8:30 pm - Awards Presentation

APPENDIX 'A'

ALLIANCE OF GEORGIA HIGH SCHOOL ASSOCIATION AND AMERICAN ASSOCIATION OF ADAPTED SPORTS PROGRAMS

Since 2001, the GHSA has been involved in an alliance with the American Association of Adapted Sports Programs. This is a growing relationship in which both organizations are working together for the benefit of physically disabled and visually impaired students.

The Georgia High School Association and the National Federation of State High School Associations have long held the philosophy that participation in competitive activities is an integral part of the educational experiences of high school students.

While the GHSA has accommodated participation of disabled students in several sports and activities, we have not ventured into the area of facilitating participation of physically disabled students in adapted sports.

The GHSA recognizes that AAASP is the premier organization administering adapted sports, and the GHSA wishes to partner with AAASP by providing competitive activities for our physically disabled students in addition to lending our resources to their endeavors. Under the leadership of Tommie Storms and Robyn Hootselle, this organization provides tremendous opportunities in the area of adapted sports.

AAASP oversees competitions in wheelchair basketball, wheelchair track, wheelchair handball, power hockey, wheelchair football and beep baseball throughout the state of Georgia. Additionally, AAASP personnel travel throughout the United States helping schools establish and maintain athletic programs for physically disabled students.

It is important for school personnel to understand the opportunities available for disabled athletes, and to share that understanding with students in their schools. It is also important that coaches appreciate the value of athletics in the lives of disabled students, and the particular techniques involved in coaching disabled athletes.

AAASP stands ready to assist school personnel in their endeavors. For more information, please use the following contacts:

AAASP
P.O. Box 451047
Atlanta, GA 31145
Phone (404) 294-0070
Website www.adaptedsports.org

Information about all Adapted Sports programs may be found on the ghsa.net web site by going to the following link: ghsa.net/adapted-team-sports-information

APPENDIX 'B'

**2022-23
State Playoff Brackets
For All Sports**

**STATE BASEBALL PLAYOFFS
2023
All Classes**



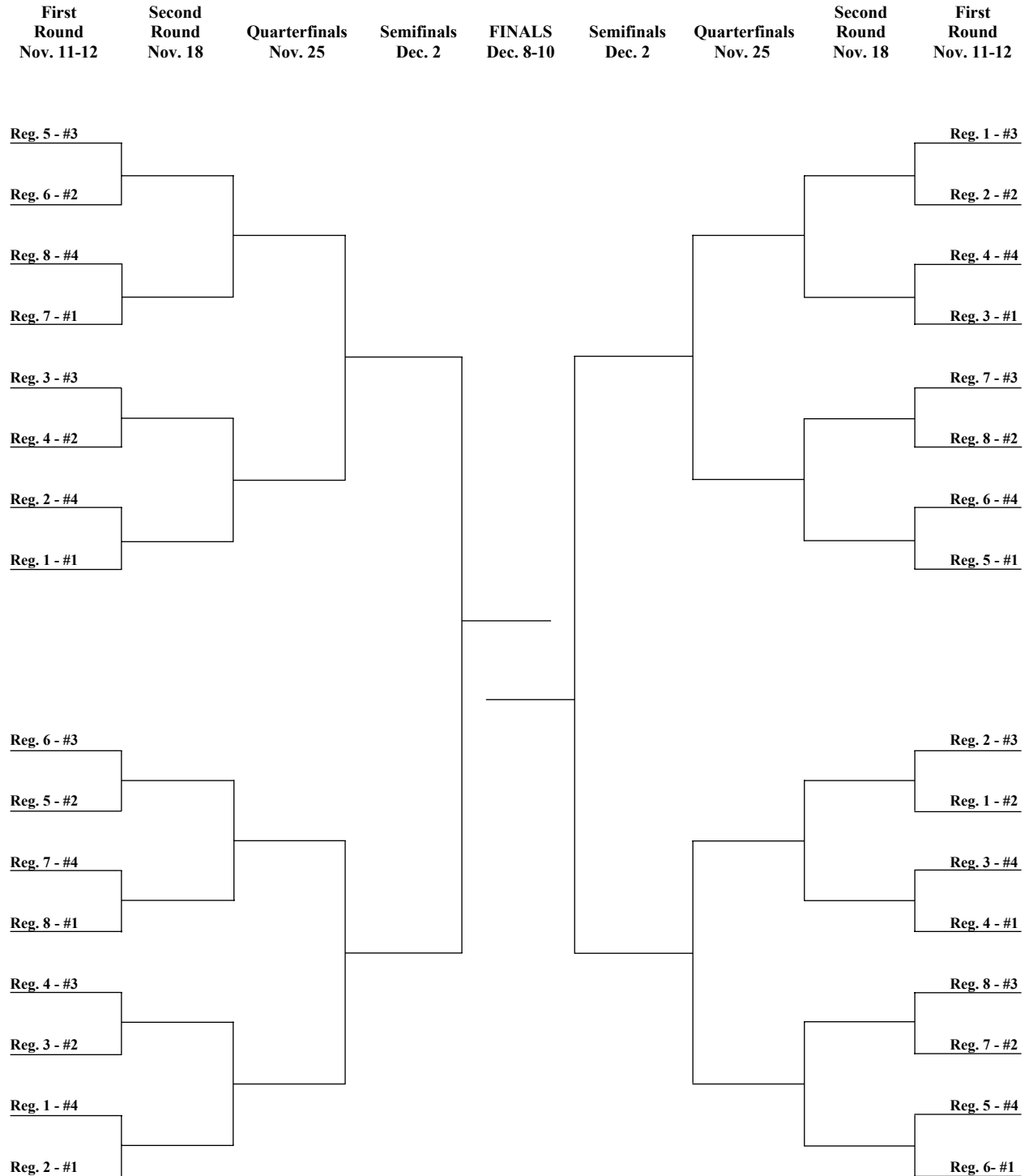
In the first four rounds, the higher-seeded team will host. In any round where both teams are the same seed, a “universal” GHSA coin flip will determine the host school (or the designated home team for Game One in a neutral-site final). Exceptions to the scheduled dates may be made with the approval of the Executive Director.

**STATE BASKETBALL PLAYOFFS
2023
Boys and Girls: All Classes**



In the first three rounds, the higher-seeded team will host. In the Quarterfinals, if both teams are the same seed, a “universal” GHSA coin flip will determine the host school. In the Semifinal and Final rounds, when playing at a neutral site, the team on the BOTTOM of the bracket will be designated as the home team and will wear white jerseys.

**STATE FOOTBALL PLAYOFFS
2022
All Classes**



In the first four rounds, the higher seeded team will host. If schools are the same seed, see GHSA Constitution, Football Section, for procedure. Note: The GHSA's "universal" coin flip will determine the designated home team when playing at a neutral site if both teams are the same seed.

**STATE FLAG FOOTBALL PLAYOFFS
2022
All Classes**



In the first three (3) rounds, the higher seed in each of the four-team quadrants will host two games to be played on the same date. A universal coin toss will determine the host schools for the second or quarterfinal rounds when teams of equal seeds are left in the same quadrant.

**STATE LACROSSE PLAYOFFS
2023
Boys and Girls: Class 7A**

First Round	Second Round	Quarterfinals	Semifinals	FINALS	Semifinals	Quarterfinals	Second Round	First Round
April 26-27	May 1-2	May 4-5	May 9-10	May 13	May 9-10	May 4-5	May 1-2	April 26-27



In ALL Rounds (except neutral-site Finals), the higher-seeded team will host. If both teams are the same seed, a “universal” GHSA coin flip will determine the host school (or the designated home team in a neutral-site Final).

**STATE LACROSSE PLAYOFFS
2023
Boys and Girls: Class 5A-6A**



In ALL Rounds (except neutral-site Finals), the higher-seeded team will host. If both teams are the same seed, a “universal” GHSA coin flip will determine the host school (or the designated home team in a neutral-site Final).

**STATE LACROSSE PLAYOFFS
2023
Girls: Class A-4A**

First Round April 26-27	Second Round May 1-2	Quarterfinals May 4-5	Semifinals May 9-10	FINALS May 13	Semifinals May 9-10	Quarterfinals May 4-5	Second Round May 1-2	First Round April 26-27
----------------------------	-------------------------	--------------------------	------------------------	------------------	------------------------	--------------------------	-------------------------	----------------------------



In ALL Rounds (except neutral-site Finals), the higher-seeded team will host. If both teams are the same seed, a “universal” GHSA coin flip will determine the host school (or the designated home team in a neutral-site Final).

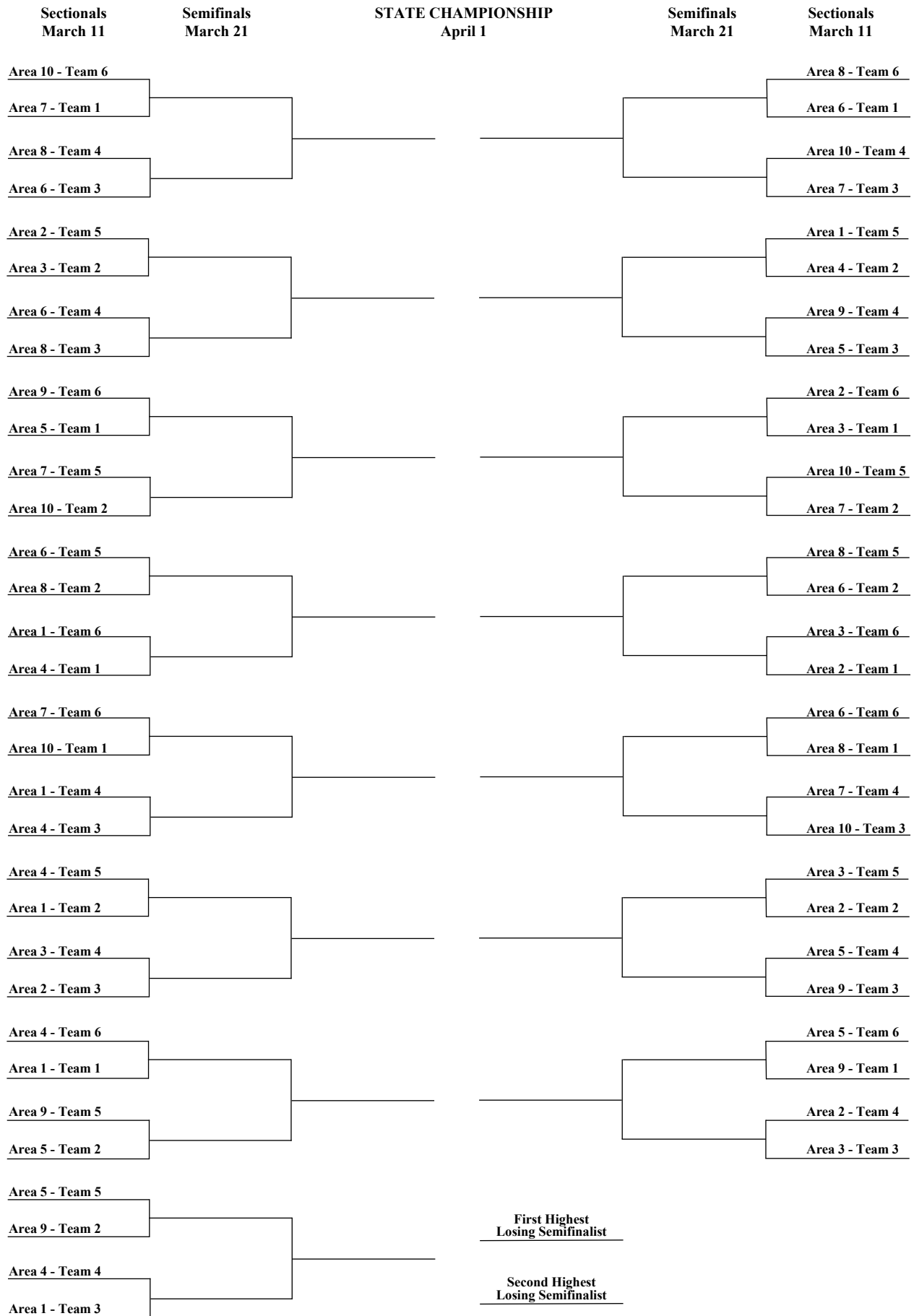
**STATE LACROSSE PLAYOFFS
2023
Boys: Class A-4A**

First Round April 26-27	Second Round May 1-2	Quarterfinals May 4-5	Semifinals May 9-10	FINALS May 13	Semifinals May 9-10	Quarterfinals May 4-5	Second Round May 1-2	First Round April 26-27
-------------------------------	----------------------------	--------------------------	------------------------	------------------	------------------------	--------------------------	----------------------------	-------------------------------



In ALL Rounds (except neutral-site Finals), the higher-seeded team will host. If both teams are the same seed, a “universal” GHSA coin flip will determine the host school (or the designated home team in a neutral-site Final).

STATE RIFLERY PLAYOFFS - 2023



The higher seeded team will host. If teams in the Semifinals are equal seeds, the highest Sectional score will host.

**STATE SOCCER TOURNAMENT
2023
Boys and Girls: All Classes**

A, 3A, 5A and 7A Dates:

1st Rd.	2nd Rd.	Quarters	Semifinals	FINALS	Semifinals	Quarters	2nd Rd.	1st Rd.
G: 4/11	G: 4/17	G: 4/24	G: 4/27	May 2-5	G: 4/27	G: 4/24	G: 4/17	G: 4/11
B: 4/12	B: 4/18	B: 4/25	B: 4/28	May 2-5	B: 4/28	B: 4/25	B: 4/18	B: 4/12

2A, 4A and 6A Dates:

1st Rd.	2nd Rd.	Quarters	Semifinals	FINALS	Semifinals	Quarters	2nd Rd.	1st Rd.
G: 4/13	G: 4/19	G: 4/24	G: 4/27	May 2-5	G: 4/27	G: 4/24	G: 4/19	G: 4/13
B: 4/14	B: 4/20	B: 4/25	B: 4/28	May 2-5	B: 4/28	B: 4/25	B: 4/20	B: 4/14



In ALL Rounds (except neutral-site Finals), the higher-seeded team will host. If both teams are the same seed, a “universal” GHSA coin flip will determine the host school (or the designated home team in a neutral-site Final).

**STATE SOCCER TOURNAMENT
2023
Boys and Girls: Class A, Division 2**

Dates:

1st Rd.	2nd Rd.	Quarters	Semifinals	FINALS	Semifinals	Quarters	2nd Rd.	1st Rd.
G: 4/11	G: 4/17	G: 4/24	G: 4/27	May 2	G: 4/27	G: 4/24	G: 4/17	G: 4/11
B: 4/12	B: 4/18	B: 4/25	B: 4/28	May 2	B: 4/28	B: 4/25	B: 4/18	B: 4/12

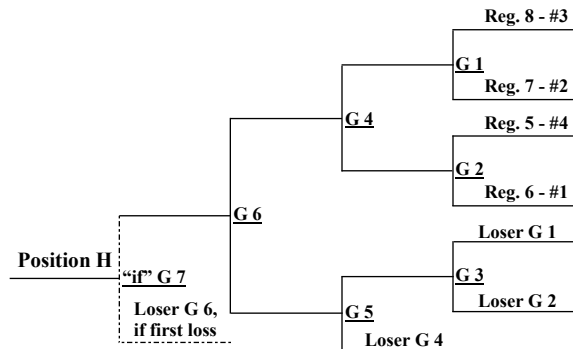
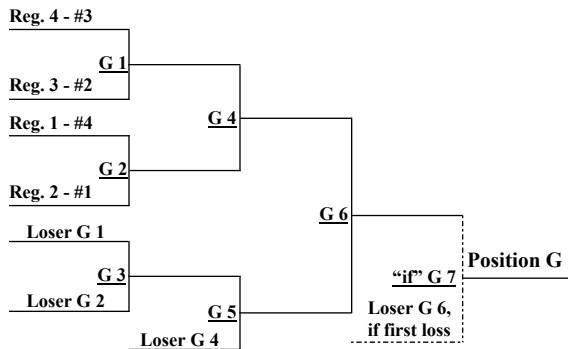
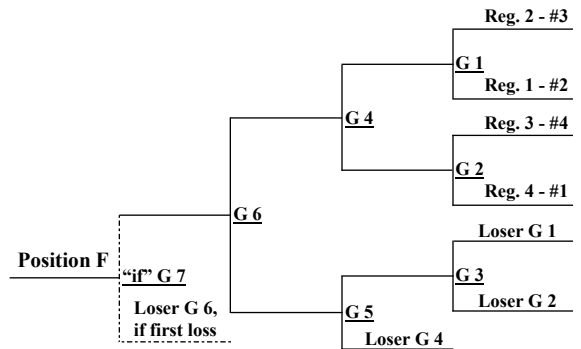
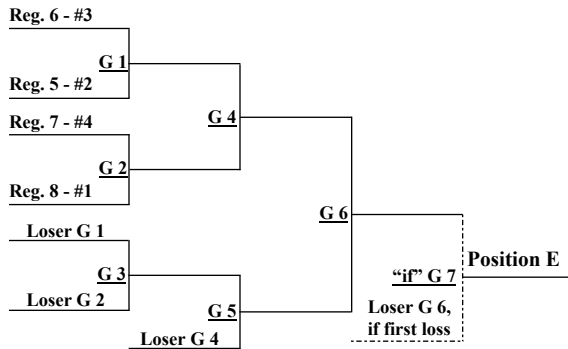
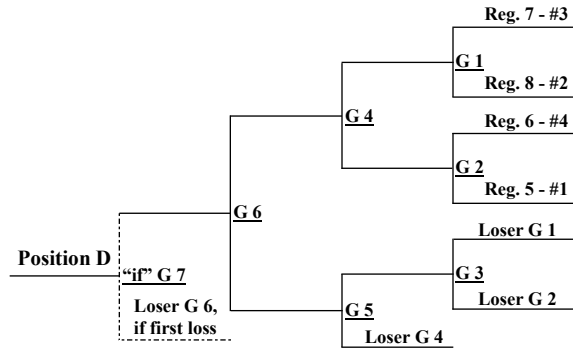
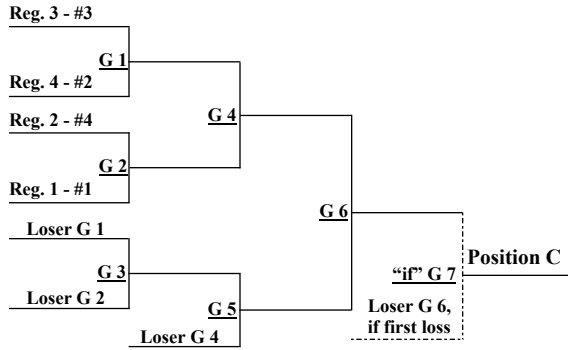
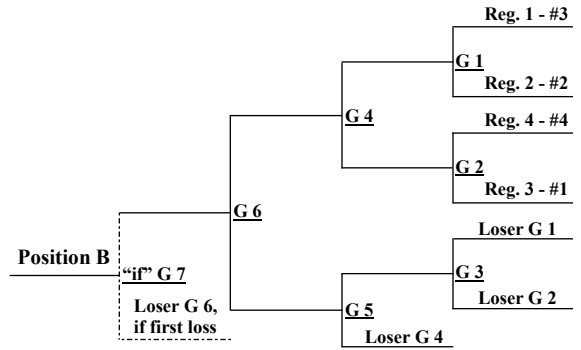
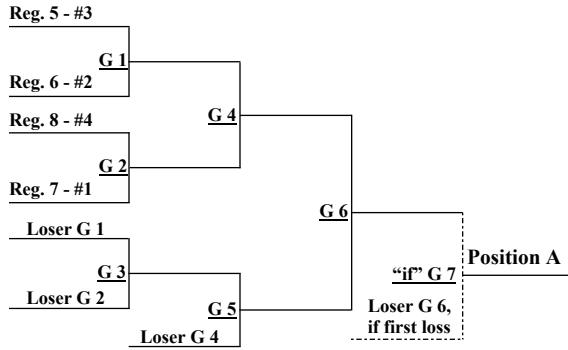


**STATE FAST PITCH SOFTBALL PLAYOFFS
2022
ALL CLASSES**

Super Regional Bracket
Oct. 18-21

STATE TOURNAMENT
October 26-29
Columbus - All Classes

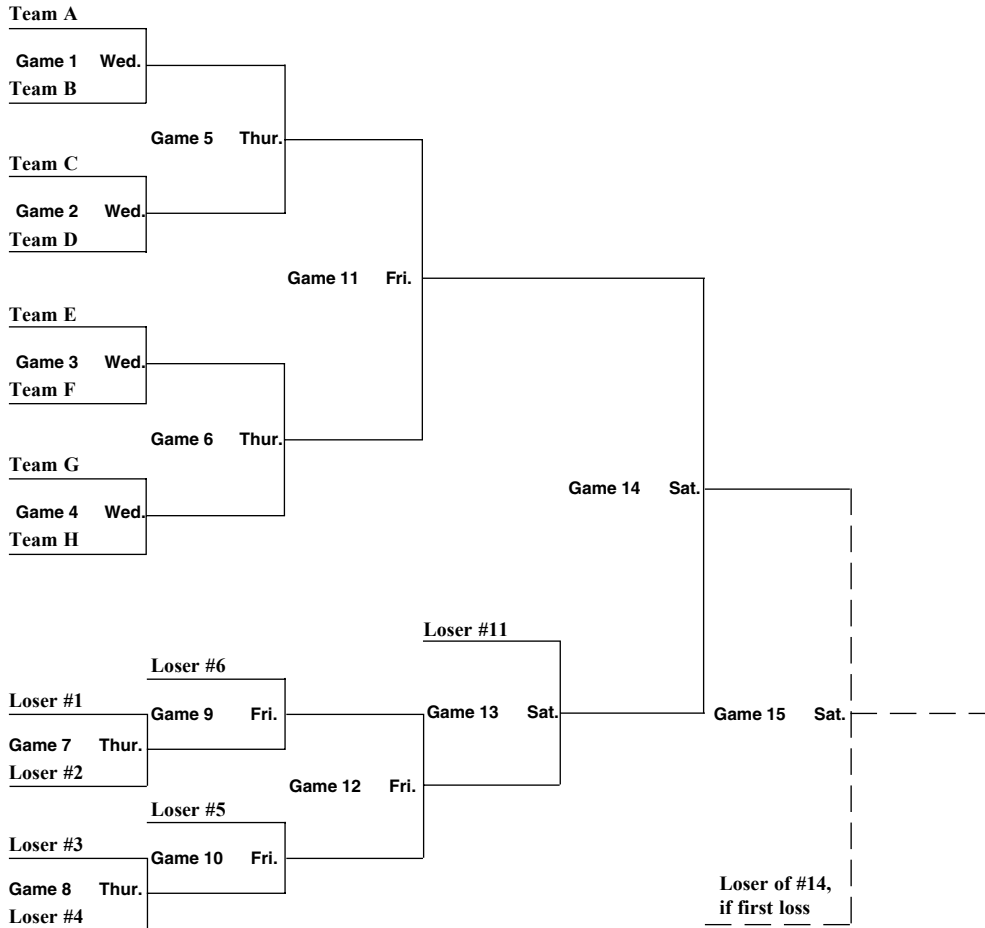
Super Regional Bracket
Oct. 18-21



PLAYOFF INFORMATION: The No. 1 seeds in each quadrant will host Super Regional round-robin tournaments.

**STATE FAST PITCH SOFTBALL PLAYOFFS
2022
Elite Eight - All Classes**

Wednesday-Saturday, October 26-29, 2022
Columbus Softball Complex



**STATE TENNIS PLAYOFFS
2023
Boys and Girls: All Classes**

1st Round By April 20	2nd Round By April 26	Quarters By May 2	Semis By May 8	Finals May 13 Rome	Semis By May 8	Quarters By May 2	2nd Round By April 26	1st Round By April 20
--------------------------	--------------------------	----------------------	-------------------	--------------------------	-------------------	----------------------	--------------------------	--------------------------



In the first four rounds, the higher-seeded team will host. If both teams are the same seed, a “universal” GHSA coin flip will determine the host school.

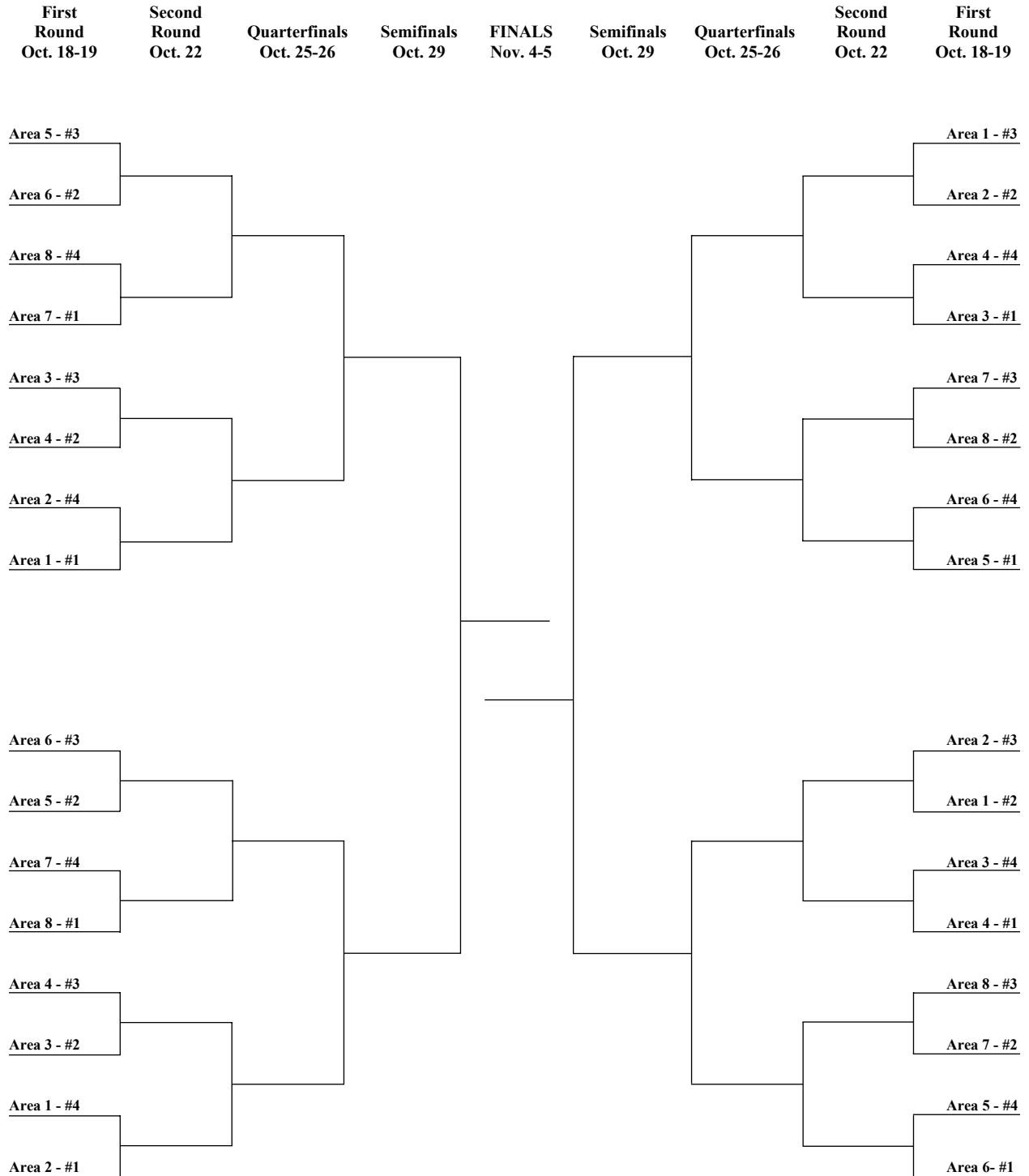
In case of a rain-out at the State Site in the Finals, the higher-seeded team will be the host school. (The “universal” GHSA coin flip used for the Semifinal Round will determine the host school if both teams are the same seed.)

STATE VOLLEYBALL PLAYOFFS
2022
Classes 7A - 6A - 5A - 3A



In all rounds (except neutral-site Finals), the higher-seeded team will host. If both teams are the same seed, a “universal” GHSA coin flip will determine the host school (or the designated home team in a neutral-site Final).

**STATE VOLLEYBALL PLAYOFFS
2022
Classes 4A - 2A - 1A**



In all rounds (except neutral-site Finals), the higher-seeded team will host. If both teams are the same seed, a “universal” GHSA coin flip will determine the host school (or the designated home team in a neutral-site Final).

**STATE DUAL WRESTLING ELITE EIGHT
2023
All Classes**

**Saturday, January 21, 2023
Sites TBA**



APPENDIX 'C'

GHSA STATE OFFICERS 2022-23

President.....Jim Finch, Monroe County Schools, Forsyth
Vice President.....Curt Miller, Oconee County High School, Watkinsville
Executive Director.....Robin Hines, GHSA Office, Thomaston

REGION

REGION SECRETARIES

1- 7A.....Welton Coffey, Camden County High School, Kingsland
2- 7A.....Brittney Jones, Pebblebrook High School, Mableton
3- 7A.....Craig McKinney, Marietta High School
4- 7A.....Nick Gast, Parkview High School, Lilburn
5- 7A.....Jeremy Adams, Cherokee High School, Canton
6- 7A.....Byron Orr, West Forsyth High School, Cumming
7- 7A.....Mike Cammack, Norcross High School
8- 7A.....Mike Phillips, Gwinnett County Public Schools, Suwanee
1- 6A.....Jody Dean, Houston County School System, Perry
2- 6A.....Steve Waters, Glynn County Schools, Brunswick
3- 6A.....Dwayne Davis, Mundy's Mill High School, Jonesboro
4- 6A.....Andre Regan, North Atlanta High School
5- 6A.....Andy Dorsey, East Paulding High School, Dallas
6- 6A.....Tonya Sebring, Cherokee County School District, Canton
7- 6A.....Josh Mathews, Pope High School, Marietta
8- 6A.....Nathan Turner, Forsyth County School System, Cumming
1- 5A.....Steve Wight, Coffee School System, Douglas
2- 5A.....Stephen Phillips, Locust Grove High School
3- 5A.....Morgan Ingram, Northside High School, Columbus
4- 5A.....Sharon Richard, Arabia Mountain High School, Lithonia
5- 5A.....Reginald Curry, Jackson High School, Atlanta
6- 5A.....Jeff Burch, Centennial High School, Roswell
7- 5A.....Jeff McKinney, Dalton High School
8- 5A.....Brad Bolemon, Loganville High School
1- 4A.....Octavia Jones, Westover High School, Albany
2- 4A.....Jeff Clayton, West Laurens High School, Dexter
3- 4A.....Wade Marchman, Burke County High School, Waynesboro
4- 4A.....Bill Stikes, Fayette County High School, Fayetteville
5- 4A.....Ashley Lott, Hampton High School
6- 4A.....Tony Watkins, Holy Innocents', Atlanta
7- 4A.....Denise Pendley, Southeast Whitfield High School, Dalton
8- 4A.....Sam Borg, North Hall High School, Gainesville
1- 3A.....Bethany Wood, Crisp County High School, Cordele
2- 3A.....Wayne Puckett, Upson-Lee High School, Thomaston
3- 3A.....Nicholas St. Louis, St. Vincent's Academy, Savannah
4- 3A.....Doug Connelly, Morgan County High School, Madison
5- 3A.....Alana Allen, Douglass High School, Atlanta
6- 3A.....Meredith Barnhill, Adairsville High School
7- 3A.....Joe Sanfilippo, White County High School, Cleveland
8- 3A.....Cecil Maret, Hart County High School, Hartwell
1- 2A.....Jarrett Luke, Berrien High School, Nashville
2- 2A.....Craig Fitts, Hamilton
3- 2A.....Robbie Spires, Pierce County High School, Blackshear
4- 2A.....Bernard Bowman, Glenn Hills High School, Augusta
5- 2A.....Charlcye Henderson, Redan High School, Stone Mountain
6- 2A.....Myss Johnson-Jelks, Atlanta Public Schools
7- 2A.....Steve Turrentine, Rome
8- 2A.....Randy Gambrell, Jefferson High School
1-A Div. 2.....Jim Morrell, Ft. Gaines
2-A Div. 2.....Scott Ray, Lanier County High School, Lakeland
3-A Div. 2.....Justin Chester, Portal High School
4-A Div. 2.....David Coffee, Hawkinsville High School
5-A Div. 2.....Mandy Elder, Georgia Military College, Milledgeville
6-A Div. 2.....Stephen Holmes, Manchester High School
7-A Div. 2.....Chad Jordan, Christian Heritage School, Dalton
8-A Div. 2.....Steve Simpson, Warren County High School, Warrenton
1-A Div. 1.....Charles Perry, Brooks County High School, Quitman
2-A Div. 1.....Jeff Clayton, East Laurens High School, East Dublin
3-A Div. 1.....Terry Markovic, Screven County High School, Sylvania
4-A Div. 1.....Calvin Scandrett, Crawford County High School, Roberta
5-A Div. 1.....Randy Gambrell, Jefferson High School
6-A Div. 1.....Andrew Tulowitzky, Galloway School, Atlanta
7-A Div. 1.....Jeff Shiflett, Coosa High School, Rome
8-A Div. 1.....Randy Gambrell, Jefferson High School

STATE EXECUTIVE COMMITTEE 2022-23

REGION	COMMITTEE MEMBER
1- 7A.....	Danny Redshaw, Lowndes High School, Valdosta
2- 7A.....	Evan Horton, East Coweta High School, Sharpsburg
3- 7A.....	Don Baker, Cobb County Public Schools, Marietta
4- 7A.....	Jason Dopson, Brookwood High School, Snellville
5- 7A.....	Matthew Moody, North Cobb High School, Kennesaw
6- 7A.....	Nathan Turner, Forsyth County School System, Cumming
7- 7A.....	Kirk Barton, Norcross High School
8- 7A.....	Scarlett Grantham, Collins Hill High School, Suwanee
1- 6A.....	Jason Brett, Houston County High School, Warner Robins
2- 6A.....	Steve Waters, Glynn County Schools, Brunswick
3- 6A.....	Cedric King, Lovejoy High School, Hampton
4- 6A.....	Todd Mooney, St. Pius X, Atlanta
5- 6A.....	Willie Cannon, Hughes High School, Fairburn
6- 6A.....	Tonya Sebring, Cherokee County School District, Canton
7- 6A.....	Steven Craft, Fulton County Schools, Atlanta
8- 6A.....	Brad Hayes, Jackson County High School, Jefferson
1- 5A.....	Garrett Black, Greenbrier High School, Evans
2- 5A.....	Kelli Smith, Henry County Schools, McDonough
3- 5A.....	Mindy Johnson, Harris County High School, Hamilton
4- 5A.....	James Jackson, DeKalb County School District
5- 5A.....	Rendell Jackson, Atlanta Public Schools
6- 5A.....	Peter Giles, Kell High School, Marietta
7- 5A.....	Darrell Demastus, Cartersville High School
8- 5A.....	Jeff Segars, Loganville High School
1- 4A.....	Jeff Battles, Muscogee County School District, Columbus
2- 4A.....	Marty Shiver, Spalding High School, Griffin
3- 4A.....	Brooke Whitlock, New Hampstead High School, Bloomingdale
4- 4A.....	Shane Ratliff, Starr's Mill High School, Fayetteville
5- 4A.....	Charles Battles, Mt. Zion High School, Jonesboro
6- 4A.....	Bobby Brewington, Monroe
7- 4A.....	Jarred Griffis, Central-Carroll High School, Carrollton
8- 4A.....	Michael Dowis, North Oconee High School, Bogart
1- 3A.....	Jeremy Rayburn, Thomasville High School
2- 3A.....	James Stanford, Pike County High School, Zebulon
3- 3A.....	Shawn Peek, Long County High School, Ludowici
4- 3A.....	Felecia Colquitt, Salem High School, Conyers
5- 3A.....	Jasper Jewell, Atlanta Public Schools
6- 3A.....	Ronnie Massey, LaFayette High School
7- 3A.....	Paul Standard, Gilmer High School, Ellijay
8- 3A.....	Eli Connell, Monroe Area High School, Monroe
1- 2A.....	Jarrett Luke, Berrien High School, Nashville
2- 2A.....	Kevin Grooms, Bibb County School District, Macon
3- 2A.....	Jesse Crews, Appling County High School, Baxley
4- 2A.....	Myron Newton, Butler High School, Augusta
5- 2A.....	Brian Montgomery, Columbia High School, Decatur
6- 2A.....	Joshua Moore, BEST Academy, Atlanta
7- 2A.....	Barry Williams, Rockmart High School
8- 2A.....	Kevin Petroski, Athens Academy
1-A Div. 1.....	Mike Thompson, Bacon County High School, Alma
2-A Div. 1.....	Fred Williams, Dublin High School
3-A Div. 1.....	Randy Cooper, Claxton High School
4-A Div. 1.....	Tim Gribben, Temple High School
5-A Div. 1.....	Richard Ricketts, Prince Avenue Christian, Bogart
6-A Div. 1.....	Brad Dehem, Mt. Vernon School, Atlanta
7-A Div. 1.....	Rick Hurst, Pepperell High School, Lindale
8-A Div. 1.....	Brian Turner, Elbert County High School, Elberton
1-A Div. 2.....	David Bell, Baconton Charter,
2-A Div. 2.....	Don Tison, Clinch County High School, Homerville
3-A Div. 2.....	Bradley Warren, McIntosh County Academy, Darien
4-A Div. 2.....	Eli Dupree, Wheeler County, Alamo
5-A Div. 2.....	Don Norton, Johnson County High School, Wrightsville
6-A Div. 2.....	Josh Kemp, Chattahoochee County High School, Cusseta
7-A Div. 2.....	Chad Jordan, Christian Heritage, Dalton
8-A Div. 2.....	Steve Simpson, Warren County High School, Warrenton
At Large.....	Jose Fernandez, Woodward Academy, College Park
At Large.....	Michelle Masters, Peach County Schools, Ft. Valley
At Large.....	Regina Montgomery, McEachern High School, Powder Springs
GDOE.....	Richard Woods, Georgia Department of Education
GSBA.....	David Colvard, Georgia School Boards Association
GSSA.....	Jason Miller, Georgia School Superintendents Association
GASSP.....	Kevin Yancey, Georgia Association of Secondary School Principals
GACA.....	Craig Davis, Wayne County High School, Jesup
GADA.....	Joe Sanfilippo, White County School System, Cleveland

GEORGIA HIGH SCHOOL ASSOCIATION COMMITTEES 2022-23

Board of Trustees

(Class 7A) Nathan Turner (Class 3A) Jasper Jewell (At Large) Jose Fernandez (President) Jim Finch
(Class 6A) Steven Craft (Class 2A) Brian Montgomery (At Large) Michelle Masters (Vice Pres.) Curt Miller
(Class 5A) Kelli Smith (A - Div. 1) Mike Thompson (At Large) Regina Montgomery
(Class 4A) Jeff Battles (A - Div. 2) Steve Simpson (At Large) Kevin Petroski

Baseball Committee

Danny Redshaw
Jason Brett
Jeff Segars
Marty Shiver
Shawn Peek
Barry Williams
Richard Ricketts

Basketball Committee

Don Baker
Cedric King
Todd Mooney
Peter Giles
Shane Ratliff
Jasper Jewell
Kevin Grooms
Richard Ricketts

Cheerleading / Dance Committee

Nathan Turner
Kelli Smith
Shane Ratliff
Jeremy Rayburn
Bradley Warren
Brad Dehem
Kevin Yancey

Class A Committee

Mike Thompson
Randy Cooper
Brad Dehem
David Bell
Eli Dupree
Josh Kemp

Eligibility Committee

Evan Horton
Jason Brett
Mindy Johnson
Bobby Brewington
Richard Woods
David Colvard
Jason Miller
Kevin Yancey
Michelle Masters
Regina Montgomery

Football Committee

Evan Horton
Brad Hayes
Rendell Jackson
Jeff Battles
Jeremy Rayburn
Myron Newton
Don Tison
Steve Simpson
Jose Fernandez

Flag Football Committee

Scarlett Grantham
Tonya Sebring
Kelli Smith
Jeff Battles
Jasper Jewell
Kevin Grooms
Brad Dehem

Golf Committee

Matt Moody
Garrett Black
Charles Battles
Felecia Colquitt
Brian Turner
Steve Simpson
David Colvard

Gymnastics Committee

Evan Horton
Nathan Turner
Kelli Smith
Michael Dowis
Don Norton
Regina Montgomery

Lacrosse Committee

Nathan Turner
Brooke Whitlock
Michael Dowis
Kevin Petroski
Chad Jordan
Regina Montgomery

Literary / One Act Play Committee

Matt Moody
Jason Brett
Jeff Segars
Jarred Griffis
Kevin Petroski
Steve Simpson
Michelle Masters

Officials Committee

Kirk Barton
Steve Waters
Darrell Demastus
Jasper Jewell
Marty Shiver
Jesse Crews
Craig Davis

Reclassification Committee

Kirk Barton
Danny Redshaw
Steve Waters
Steven Craft
Garrett Black
James Jackson
Bobby Brewington
Jeff Battles
Jasper Jewell
Shawn Peek
Jesse Crews
Kevin Petroski
Richard Ricketts
Mike Thompson
Don Norton
Jim Finch
Curt Miller

Riflery Committee

Evan Horton
Brad Hayes
Darrell Demastus
Ronnie Massey
Josh Kemp

Soccer Committee

Jason Dopson
Todd Mooney
Peter Giles
Brooke Whitlock
Ronnie Massey
Joshua Moore
Rick Hurst

Softball Committee

Don Baker
Tonya Sebring
Garrett Black
Brooke Whitlock
James Stanford
Barry Williams
Don Tison

Sportsmanship Committee

Kirk Barton
Cedric King
Willie Cannon
James Jackson
Bobby Brewington
James Stanford
Don Norton
Craig Davis
Joe Sanfilippo

Swimming/Diving Committee

Jason Dopson
Garrett Black
Shane Ratliff
Eli Connell
Myron Newton
Tim Gribben
Jose Fernandez

Tennis Committee

Scarlett Grantham
Steven Craft
Kelli Smith
Michael Dowis
Shawn Peek
Jarrett Luke
Mike Thompson

Track / Cross Country Committee

Danny Redshaw
Steve Waters
Rendell Jackson
Jeff Battles
Jeremy Rayburn
Myron Newton
Steve Simpson
Regina Montgomery

Volleyball Committee

Matt Moody
Tonya Sebring
Peter Giles
Marty Shiver
James Stanford
Barry Williams
Chad Jordan
Michelle Masters

Wrestling Committee

Scarlett Grantham
Steven Craft
Darrell Demastus
Jarred Griffis
Paul Standard
Brian Montgomery
Fred Williams
Michelle Masters

APPENDIX 'E'

ELIGIBILITY REPORT INSTRUCTIONS

Items to which specific attention should be directed are:

1. GHSA Eligibility Form A and Form B, instructions, and other eligibility forms are provided to all member schools on the GHSA website.
2. The report submitted to the State Office becomes a permanent record. Care should be taken to have the information fully correct and complete. An error could seriously affect the eligibility of a student and penalize a school.
3. Online submission certifies that all data is correct and accurate.
4. Boys and girls may be listed on the same Form A, and more than one activity may be listed on the same Form A.
5. Once a student has been certified eligible in a given school year, it is not necessary to re-file that student in subsequent activities unless region rules specify differently. The GHSA office maintains that once a student has been reported and declared eligible for the school year, no further report is necessary for that student during the school year UNLESS his/her eligibility has been interrupted. There is no longer any need to submit a Form B for a previously-cleared transfer student. Transfer students are never listed on a Form A.
6. An eligibility report must be filed prior to the calendar date for the first possible **practice** in any activity. Supplemental filings may be made throughout the season. (EXCEPTION: Eligibility reports for Literary, One-Act Play and Rifley competitions are due twenty (20) calendar days before the first contest.)
7. **CERTIFICATE OF ELIGIBILITY (Non-Transfer Students) - FORM A**
 - A. All non-transfer students will be filed online on the GHSA MIS web site.
 - B. NAME: List students in alphabetical order by date of entry - ninth grade (9-10-11-12). Give the full name with the last name listed first.
 - C. DATE OF BIRTH: Give the month, day, and year of the student's birth. A student whose 19th birthday was prior to May 1 of the preceding school year, is over age and not eligible to participate. You will be assisting the student if you require a birth certificate to be presented to you for verification of age.
 - D. DATE STUDENT ENTERED 9th GRADE: Complete the month, day, and year the student took the first 9th grade class at any school. This is not necessarily the date the student first entered your school. A student will not be eligible for participation for more than eight (8) semesters from the date the student entered the ninth grade.
 - E. TOTAL UNITS EARNED PREVIOUS SEMESTER: Show the total number of units the student earned the previous semester. In order to be eligible, (beginning with the second semester of 9th grade) the student must have earned at least 2.5 units or their equivalent the semester immediately preceding participation. Place an "E" in the Units Earned column and Total Units Accumulated column for entering ninth grade students.
 - F. TOTAL UNITS ACCUMULATED: Show the total number of units the student has accumulated thus far in his high school career. To be eligible, the student must accumulate units that count towards graduation as follows:

END OF FIRST YEAR:	5 Units
END OF SECOND YEAR:	11 Units
END OF THIRD YEAR:	17 Units
 - G. ELIGIBILITY STATUS: This column is for GHSA use only.

Students who lose eligibility for not meeting the unit requirements at the beginning of the year may regain eligibility during the school year by accumulating the units required at the end of the semester and by passing the required number of subjects the previous semester. REMINDER: Eligibility is lost or regained on the first day of the new semester.

8. CERTIFICATE OF ELIGIBILITY - TRANSFER STUDENTS - FORM B

- A. TRANSFER STUDENTS: FORM B MUST BE ENTERED ONLINE ON THE GHSA MIS WEB SITE. If a student has transferred to your school during the past twelve (12) months after entering 9th grade (and has not been cleared previously) complete and submit a Form B for that student. If the transfer student has been in your school one full calendar year, do not file a Form B. NOTE: Transfer students who do not meet eligibility guidelines for migrant students are eligible to participate at the sub-varsity level ONLY, provided they meet academic standards.
- B. ACADEMIC DATA: This is the same information that is required for non-transfer students on Form A.
- C. YEARS ATTENDED: List all previous schools the student attended beginning with the 9th grade.
- D. ADDRESS (PRESENT/PREVIOUS): Give full street addresses and DO NOT use post office box numbers.
- E. LIVES WITH/LIVED WITH: Use the full name(s) of the parents, step-parents, guardians, etc. With blended families it is sometimes confusing when complete names are not given.
- F. DATE STUDENT ENROLLED: Be precise as to the date the student entered your school.
- G. EXCEPTIONS: Certain situations allow a student to be eligible without a bona fide change of address. See By-Law 1.60.

FOR THE CURRENT YEAR (2022-23):

1. A student whose birth date was prior to May 1, 2003, is over age and is not eligible.
2. A student who entered 9th grade prior to August of 2019, has exceeded eight (8) semesters and is not eligible.

9. CERTIFICATE OF ELIGIBILITY - FORM C

- A. STUDENTS WITH INTERRUPTED ACADEMIC ELIGIBILITY: Form C must be entered online. A student gains or loses eligibility on the first day of each semester. If the student is not eligible because he has an "Incomplete" in one or more classes, or if the student is in a Credit Recovery Program at the beginning of second semester, the student has 15 school days to become eligible. That student may not practice or compete in the interim. (see By-Law 1.58). Students who have had their academic progress interrupted need to be filed on a Form C, even if their eligibility form has been submitted previously. Be certain that the relevant portions of this form are filled out completely.

B. FILING PROCEDURES:

1. The upper half of the Form C is to be completed just like a Form A. The numbers in the "Units Earned Previous Semester" column and the "Total Units Accumulated" column should reflect the progress made in the 15-school-day period.
2. The lower half of the Form C is to be completed according to the particular issue for the student. One portion is completed if the student was making up "Incompletes," and the other is completed if the student was involved in a "Credit Recovery Program."

If the course work is not made up in the allotted 15-school-day period for the second semester, the student is ineligible for that semester. The Principal still has the option of filing a "Hardship Application" if there are special circumstances that prevented the completion of the coursework in the 15-school-day period.

10. **MT** (magnet transfer) Forms must be entered online.
11. **HS** (home study transfer) Forms must be entered online. Directions may be found on the "forms" page under Resources on the GHSA web site.
12. All **hardships** must be entered online with supporting documents uploaded.

APPENDIX 'F'

Game Fee Chart

GEORGIA HIGH SCHOOL ASSOCIATION

2022-24

<u>Sport/Contest</u>	<u>Varsity</u>	<u>Sub-Varsity</u>	<u>State Playoffs</u>
Baseball	Crew of two: \$75.00 Crew of three: \$65.00	\$60.00	First Three Rounds - \$130.00 Semis & Finals - \$145.00
Basketball	Crew of three: \$70.00 Shot Clock - ½ game fee	\$55.00	First Three Rounds - \$160.00 Semifinals & Finals - \$175.00
Cheerleading	\$10.70 Per Judge (1-12 teams) (Pay for a minimum 12 Teams) \$8.60 Per Team for more than 12	Same as Varsity	\$195.00 Per Sectional \$170.00 Per Session
Dance	Panel of Four (4): \$150 Panel of Five (5): \$125 (Both +\$50 for every hour over 3)	Same as Varsity	\$185.00 Per Session
Football (crew of 6) Flag Football (crew of 3)	\$120.00 Per Official Clock/Chain - 1/2 Game Fee Flag: \$45.00 Per Official	\$70.00 Flag - Same as Varsity	First Three Rounds - \$160.00 Semifinals & Finals - \$175.00 Flag: \$65.00 (Chain: ½ Game Fee)
Gymnastics	\$65.00/Official		\$85.00/Official
Lacrosse	\$83.00/Official	\$73.00/Official	First Three Rounds - \$110.00 Semifinals & Finals - \$135.00
Soccer	\$83.00/Official Sideline judge - 1/2 Game Fee	\$73.00/Official	First Three Rounds - \$460.00 (crew) Semis & Finals - \$470.00 (crew)
Softball	(FP) \$73.00/Umpire (SP) \$55.00/Umpire	\$54.00/Umpire	Super Regionals - \$105.00 Elite Eight - \$115.00 (SP) \$70.00 Per Game
Swimming	\$56.00 - 22 Events or Less Add \$2.50 Per Heat or Diver		\$185.00/day
Volleyball (per match)	Best of 3 - \$55.00/Official Best of 5 - \$75.00/Official (Line Judge: 1/2 game fee)	Best of 3: \$44.00/Official Best of 5 - \$67.00/Official (Line Judge: 1/2 game fee)	First Three Rounds - \$100.00 Semis & Finals - \$115.00 (Line Judge: 1/2 game fee)
Wrestling (per match)	Dual Match - \$86.00 Tri or Quad Match - \$75.00 Individual Match \$5.50	Dual Match - \$65.00 Individual Match - \$5.00	Duals: \$85.00 Traditional: \$6.00/match

Regular Season Travel Fees: (1) Official - \$30.00 (2) Officials - \$40.00 (3) Officials - \$50.00 (4+) Add \$7.00 per official.

NOTE: Travel fees are based on a “per crew/per competition day” basis. Fees applied as “Travel Fees” must be used to compensate contest officials for travel-related expenses. Travel Fees may be negotiated for Invitational & Region Tournaments. Regular season travel fees for travel of more than 100 miles one way are doubled. Travel Fees for State Tournament contests are a “flat fee” of \$25.00 per official.

The fees indicated on this chart are to be applied to all GHSA sanctioned contests and are non negotiable.

APPENDIX 'P'

GHSA FINES STRUCTURE FOR RULES VIOLATIONS

In accordance with Section 13 of Article IV of the Constitution of the Georgia High School Association, member schools are required to abide by all the rules of the Association.

The Executive Director of the Association is empowered to make a determination as to whether a violation of GHSA rules has occurred, and to assess an appropriate penalty that may include:

1. a fine of not more than \$2,500.00 per offense, and/or
2. probation in the sport(s) in which the violation occurred, and/or
3. suspension from the Association for up to a full calendar year, and/or
4. forfeiture of games and/or contests.

Pursuant to such authority, the Georgia High School Association, by and through its Executive Director and with the approval of the GHSA Executive Committee, implements and publishes the following ranges of fines for certain designated offenses. Such fines are in addition to the other penalties set forth above. The amount of such fines and the imposition of other penalties shall be determined by the Executive Director upon consideration of the facts and circumstances of the violation and shall include, but not be limited to, the following factors:

1. Whether the violation was the result of carelessness, willfulness, or ignorance.
2. The length of time the violation continued.
3. Whether the offense was self-reported or resulted from a complaint by another school, and the extent of cooperation by school officials in the investigation of the violation.
4. The number of violations involved.
5. The result of the violation (i.e.:
 - a. injury to a person
 - b. financial gain of the offending school or financial loss to another school and the amount thereof
 - c. damage to the reputation of the GHSA
 - d. whether the violation substantially contributed to winning or losing a game or contest
6. Whether the school involved has had similar or other violations within the past three (3) years.
7. Any other factors deemed by the Executive Director to merit a more or less severe fine and/or penalty.

The list of violations set forth in this listing is not all-inclusive, and if a violation of rules occurs which is not listed herein, then the Executive Director shall have the authority to assess penalties that he deems appropriate.

In addition to the listed fines and penalties, the Executive Director may issue a severe warning to a member school which places the school on notice that further violations of GHSA rules will result in increased fines and/or penalties.

ELIGIBILITY VIOLATIONS

VIOLATION	RANGE OF FINES
Allowing a player to participate in a game without having an eligibility form filed with the GHSA [By-law 2.32]	\$50.00 - \$500.00
Allowing a player to try-out, practice, or compete without having a standardized physical examination form on file at the school. [By-laws 1.41 and 2.21]	\$250.00 - \$1,000.00
Allowing a "migrant" student to participate in a varsity contest. [By-laws 1.62-1.69]	\$200.00 - \$500.00
Allowing an ineligible student to try-out, practice, or compete. [By-laws 1.51 - 1.53, 1.56 and 1.58]	\$200.00 - \$1,000.00
Allowing a student who is not eligible by the age rule or the 8-semester rule to try-out, practice, or participate. [By-law 1.30 and 1.42]	\$300.00 - \$1,000.00
Violation of the "sit-out rule" following an ejection. [By-law 2.72]	\$200.00 - \$1,000.00
Violation of the 8th-grade participation rule. [By-law 1.45]	\$250.00 - \$750.00

SPORTSMANSHIP VIOLATIONS

VIOLATION	RANGE OF FINES
Have a coach or player ejected from a competition. [By-law 2.72]	\$250.00 - \$500.00
Substitutes leave the bench area to go to the area of a fight during a contest. [By-law 2.71]	\$250.00 - \$1,000.00
Players, coaches or administrators behave in an unsporting manner before or after a contest. [By-law 2.71(b)&(e) & 2.78]	\$250.00 - \$1,000.00
Coach or player confronting (or making contact with) official(s) or committing other unsporting acts. [By-law 2.73, 2.77 & 2.78]	\$250.00 - \$1,000.00
Having players involved in a multi-player fight before, during, or after a game. [By-law 2.71(d)]	\$500.00 - \$1,000.00
Coach or administrator removing team from a competition outside of what is allowed in playing rules. [By-law 2.71(f)]	\$500.00 - \$1,000.00
Violation of video taping rules [By-law 2.88]	\$500.00 - \$1,000.00
Make comments to the media that are critical of officiating [By-law 2.74]	\$250.00 - \$ 500.00

ADMINISTRATIVE VIOLATIONS

VIOLATION	RANGE OF FINES
Hold an illegal practice (i.e., during school hours, out of season, etc.) or violation of practice safety rules [By-laws 2.61, 2.62, 2.67 and 2.69]	\$500.00 - \$2,500.00
Participate in an illegal or an unsanctioned competition. [By-laws 2.62, 2.64, 2.66 and 2.91]	\$200.00 - \$1,000.00
Allow an unauthorized person to coach [By-laws 2.51 and 2.52]	\$250.00 - \$1,000.00
Failure to follow GHSA procedures and deadlines [By-laws 2.27, 2.31 and 2.53]	\$50.00 - \$250.00
Failure to keep an appointment for an eligibility appeal [By-law 2.28]	\$100.00
Allowing a player to exceed the participation limit for that sport: [By-law 1.44] Football All other sports	\$1,000.00 \$200.00 - \$1,000.00
Failure to exert reasonable institution control (with players, coaches, spectators, facilities, etc.) [By-laws 2.22-2.24, 2.26 and 2.71]	\$250.00 - \$2,500.00
Failure to meet conditions of game contracts and agreements [By-laws 2.29 and 2.63] (NOTE: This could also involve restitution to offended school)	\$250.00 - \$2,500.00
Failure of coaches to attend GHSA sport rules clinics [By-law 2.54]	\$100.00
Allowing a non-student to try out, practice or compete. [By-law 1.21]	\$250.00 - \$2,000.00

ETHICS VIOLATIONS

VIOLATION	RANGE OF FINES
School personnel/boosters involved in recruiting a student for athletic purposes and/or using undue influence to gain or retain a student. [By-laws 1.71 - 1.73]	\$1,000.00 - \$2,500.00
Misrepresenting facts on a GHSA document. [By-laws 2.23 and 2.24]	\$500.00 - \$2,500.00
Misrepresenting facts during a GHSA investigation. [By-laws 2.23 and 2.24]	\$500.00 - \$2,500.00

MISCELLANEOUS VIOLATIONS

VIOLATION	RANGE OF FINES
Violation of financial aid rules [By-laws 1.81 - 1.83]	\$1,000.00 - \$2,500.00
Violation of amateur standing rules [By-laws 1.90 - 1.96]	\$500.00 - \$2,000.00
Region failing to follow GHSA procedures and deadlines [By-laws 3.20 and 3.30]	\$100.00 - \$500.00

APPENDIX 'R'

CLASSIFICATION & ALIGNMENT FOR 2022-23

(NOTE: These are Region Organizations for Football, but all member schools are included.)

NR - Indicates school playing Non-Region football schedule

** - Indicates school NOT playing varsity football

7A (46 Schools, All Play Football)	Total All Classes - 455 Schools, 412 Football)
---	---

REGION 1 - 7A: (5 Schools)

	FTE	Reclass
Camden County.....	2578	(2584)
Colquitt County.....	2494	(2578)
Lowndes.....	3079	(3295)
Richmond Hill.....	2452	(2514)
Valdosta.....	2358	(2504)

REGION 2 - 7A: (5 Schools)

Campbell.....	2869	(2883)
Carrollton.....	1715	(2785)
East Coweta.....	3274	(3432)
Pebblebrook.....	2463	(2963)
Westlake.....	2269	(2689)

REGION 3 - 7A: (5 Schools)

Harrison.....	2243	(2605)
Hillgrove.....	2309	(2711)
Marietta.....	2606	(2778)
McEachern.....	2357	(2533)
North Paulding.....	2836	(2932)

REGION 4 - 7A: (6 Schools)

Archer.....	3061	(3173)
Brookwood.....	3850	(4210)
Grayson.....	3212	(3560)
Newton.....	2478	(2748)
Parkview.....	3213	(3525)
South Gwinnett.....	2694	(2784)

REGION 5 - 7A: (6 Schools)

Cherokee.....	2940	(3050)
Kennesaw Mountain.....	1836	(2716)
North Cobb.....	2631	(3127)
Osborne.....	2569	(2921)
Walton.....	2689	(2709)
Wheeler.....	2296	(3126)

REGION 6 - 7A: (6 Schools)

Denmark.....	2391	(2823)
Forsyth Central.....	2585	(2818)
Lambert.....	2941	(3269)
Milton.....	2153	(2319)
South Forsyth.....	2355	(2681)
West Forsyth.....	2406	(2900)

REGION 7 - 7A: (7 Schools)

Berkmar.....	2981	(3067)
Discovery.....	2856	(2892)
Duluth.....	2675	(2897)
Meadowcreek.....	2566	(2626)
Norcross.....	2675	(2945)
North Gwinnett.....	3087	(3171)
Peachtree Ridge.....	3313	(3479)

REGION 8 - 7A: (6 Schools)

Buford.....	1784	(2504)
Central Gwinnett.....	2378	(2848)
Collins Hill.....	2771	(2889)
Dacula.....	2487	(2617)
Mill Creek.....	3812	(3896)
Mountain View.....	2850	(3216)

6A (58 Schools, 57 Play Football)

REGION 1 - 6A: (6 Schools)

Houston County.....	2064	(2464)
Lee County.....	1946	(1946)
Northside, Warner Robins.....	1950	(2266)
Thomas County Central.....	1465	(2175)
Tift County.....	2271	(2445)
Veterans.....	1849	(2001)

REGION 2 - 6A: (7 Schools)

Brunswick.....	1902	(2184)
Effingham County.....	2040	(2180)
Evans.....	1903	(1955)
Glynn Academy.....	1847	(2117)
Grovetown.....	2129	(2175)
Lakeside-Evans.....	1978	(2070)
South Effingham.....	1839	(2057)

REGION 3 - 6A: (8 Schools)

Alcovy.....	1966	(2026)
Forest Park.....	1784	(2086)
Jonesboro.....	1423	(2171)
Lovejoy.....	2080	(2174)
Morrow.....	1939	(2023)
Mundy's Mill.....	1684	(2036)
Rockdale County.....	2309	(3093)
Woodward Academy.....	1076	(3116)

CLASSIFICATION & ALIGNMENT FOR 2022-23

REGION 4 - 6A: (7 Schools)

Dunwoody.....	2142	(2154)
Lakeside, DeKalb.....	2174	(2318)
Marist.....	800	(1962)
North Atlanta.....	2218	(2298)
Riverwood.....	1727	(2095)
South Cobb.....	1997	(2437)
St. Pius.....	1096	(3216)

REGION 5 - 6A: (8 Schools)

Alexander.....	1911	(2425)
Douglas County.....	1989	(2419)
East Paulding.....	1893	(2503)
Hughes.....	1893	(1945)
New Manchester.....	1805	(1965)
Newnan.....	2281	(2393)
Paulding County.....	1932	(2410)
South Paulding.....	1922	(2414)

REGION 6 - 6A: (7 Schools)

Allatoona.....	1747	(2073)
Creekview.....	2060	(2168)
Etowah.....	2449	(2539)
River Ridge.....	1928	(2042)
Rome.....	2037	(2389)
Sequoyah.....	2087	(2247)
Woodstock.....	2151	(2237)

REGION 7 - 6A: (8 Schools)

Alpharetta.....	2198	(2270)
Blessed Trinity.....	978	(2478)
Johns Creek.....	1967	(1987)
Lassiter.....	1945	(2279)
Pope.....	1855	(2031)
Roswell.....	2157	(2185)
Sprayberry.....	1890	(2178)
**Innovation Academy.....	855	(2235)

REGION 8 - 6A: (7 Schools)

Apalachee.....	1910	(1990)
Gainesville.....	2290	(2382)
Habersham Central.....	2049	(2053)
Jackson County.....	1613	(1697)
Lanier.....	1940	(2014)
North Forsyth.....	2151	(2455)
Shiloh.....	2249	(2375)

5A (54 Schools, All Play Football)

REGION 1 - 5A: (6 Schools)

Bradwell Institute.....	1689	(1739)
Coffee.....	1724	(1764)
Greenbrier.....	1748	(1776)
Jenkins.....	1011	(1579)
Statesboro.....	1797	(1797)
Ware County.....	1627	(1641)

REGION 2 - 5A: (7 Schools)

Dutchtown.....	1774	(1932)
Eagle's Landing.....	1560	(1752)
Jones County.....	1602	(1628)
Locust Grove.....	1619	(1857)
Ola.....	1758	(1872)
Union Grove.....	1592	(1880)
Warner Robins.....	1753	(1851)

REGION 3 - 5A: (5 Schools)

Drew.....	1663	(1837)
Harris County.....	1677	(1725)
McIntosh.....	1719	(1767)
Northgate.....	1776	(1856)
Northside, Columbus.....	1425	(1843)

REGION 4 - 5A: (7 Schools)

Arabia Mountain.....	1128	(1128)
Chamblee.....	1789	(1913)
Decatur.....	1732	(1878)
Lithonia.....	1522	(1568)
M.L. King.....	1472	(1574)
Tucker.....	1606	(1866)
NR - Cross Keys.....	1675	(1681)

REGION 5 - 5A: (9 Schools)

Banneker.....	1595	(1807)
Chapel Hill.....	1515	(2081)
Creekside.....	1729	(1731)
Jackson, Atlanta.....	1494	(1674)
Lithia Springs.....	1546	(1782)
Mays.....	1268	(1328)
Tri-Cities.....	1499	(1855)
Villa Rica.....	1676	(1790)
NR - Midtown.....	1545	(1589)

REGION 6 - 5A: (7 Schools)

Cambridge.....	1826	(1886)
Centennial.....	1799	(1875)
Chattahoochee.....	1856	(1904)
Greater Atlanta Christian.....	634	(1874)
Kell.....	1496	(1926)
North Springs.....	1332	(1744)
Northview.....	1752	(1814)

REGION 7 - 5A: (6 Schools)

Calhoun.....	1248	(1740)
Cartersville.....	1422	(1944)
Cass.....	1519	(1615)
Dalton.....	1761	(1891)
Hiram.....	1458	(1628)
Woodland, Cartersville.....	1461	(1623)

CLASSIFICATION & ALIGNMENT FOR 2022-23

REGION 8 - 5A: (7 Schools)

Clarke Central.....	1833	(1909)
Eastside.....	1611	(1807)
Flowery Branch.....	1318	(1738)
Heritage-Conyers.....	1852	(1912)
Jefferson.....	1189	(1633)
Loganville.....	1803	(1907)
Winder-Barrow.....	1846	(1928)

4A (60 Schools, All Play Football)

REGION 1 - 4A: (5 Schools)

Bainbridge.....	1352	(1374)
Cairo.....	1288	(1326)
Hardaway.....	1204	(1522)
Shaw.....	1179	(1505)
Westover.....	1351	(1453)

REGION 2 - 4A: (7 Schools)

Baldwin.....	1272	(1272)
Griffin.....	1485	(1521)
Howard.....	1115	(1285)
Perry.....	1457	(1605)
Spalding.....	1260	(1336)
West Laurens.....	1273	(1457)
Westside-Macon.....	1011	(1289)

REGION 3 - 4A: (6 Schools)

Benedictine.....	0816	(1472)
Burke County.....	1214	(1300)
Islands.....	0929	(1461)
New Hampstead.....	1349	(1399)
Southeast Bulloch.....	1161	(1313)
Wayne County.....	1425	(1425)

REGION 4 - 4A: (8 Schools)

Fayette County.....	1340	(1408)
LaGrange.....	1266	(1362)
North Clayton.....	1234	(1432)
Riverdale.....	1435	(1583)
Starr's Mill.....	1343	(1577)
Trinity Christian.....	0497	(1059)
Troup.....	1314	(1432)
Whitewater.....	1338	(1566)

REGION 5 - 4A: (8 Schools)

Hampton.....	1262	(1336)
Lovett.....	0685	(1295)
Luella.....	1402	(1518)
McDonough.....	1234	(1304)
Mt. Zion, Jonesboro.....	1312	(1514)
Pace Academy.....	0495	(0997)
Stockbridge.....	1531	(1531)
Woodland, Stockbridge.....	1401	(1439)

REGION 6 - 4A: (9 Schools)

Hapeville.....	0661	(1555)
Holy Innocents'.....	0580	(1384)
Miller Grove.....	1206	(1350)
Southwest DeKalb.....	1291	(1475)
Stephenson.....	1356	(1468)
Westminster.....	0825	(1459)
NR - Clarkston.....	1421	(1531)
NR - Druid Hills.....	1340	(1560)
NR - Stone Mountain.....	1220	(1356)

REGION 7 - 4A: (6 Schools)

Cedartown.....	1361	(1393)
Central, Carroll.....	1192	(1460)
Heritage, Catoosa.....	1280	(1332)
Northwest Whitfield.....	1266	(1528)
Sonoraville.....	1152	(1266)
Southeast Whitfield.....	1458	(1510)

REGION 8 - 4A: (11 Schools)

Cedar Shoals.....	1509	(1551)
Cherokee Bluff.....	1057	(1305)
Chestatee.....	1266	(1342)
East Forsyth.....	1069	(1165)
East Hall.....	1259	(1325)
Madison County.....	1394	(1406)
North Hall.....	1138	(1324)
North Oconee.....	1512	(1534)
Walnut Grove.....	1426	(1568)
NR - Johnson-Gainesville.....	1340	(1536)
NR - Seckinger.....	1288	(1288) Projected

3A (51 Schools, 50 Football)

REGION 1 - 3A: (6 Schools)

Carver-Columbus.....	0865	(1243)
Columbus.....	1171	(1217)
Crisp County.....	1070	(1154)
Dougherty.....	1121	(1243)
Monroe.....	1117	(1227)
Thomasville.....	0771	(1073)

REGION 2 - 3A: (5 Schools)

Jackson.....	1078	(1082)
Mary Persons.....	1190	(1218)
Peach County.....	1045	(1045)
Pike County.....	1078	(1080)
Upson-Lee.....	1195	(1205)

CLASSIFICATION & ALIGNMENT FOR 2022-23

REGION 3 - 3A: (9 Schools)

Beach.....	0915	(1145)
Calvary Day.....	0367	(0929)
Groves.....	0884	(1148)
Johnson, Savannah.....	0746	(1322)
Liberty County.....	1081	(1133)
Long County.....	1144	(1158)
Savannah Christian.....	0421	(1209)
Savannah Country Day.....	0359	(0995)
** St. Vincent's.....	0582	(1140)

REGION 4 - 3A: (6 Schools)

Cross Creek.....	1157	(1271)
Harlem.....	1169	(1205)
Hephzibah.....	1014	(1182)
Morgan County.....	1048	(1104)
Richmond Academy.....	1096	(1388)
Salem.....	1138	(1212)

REGION 5 - 3A: (4 Schools)

Carver, Atlanta.....	0992	(1016)
Cedar Grove.....	1167	(1191)
Douglass, Atlanta.....	1182	(1252)
Sandy Creek.....	1155	(1249)

REGION 6 - 3A: (8 Schools)

Adairsville.....	1089	(1169)
Bremen.....	0733	(1167)
Coahulla Creek.....	1031	(1163)
Gordon Lee.....	0428	(0972)
LaFayette.....	1126	(1160)
Lakeview-Ft. Oglethorpe.....	1063	(1131)
Ridgeland.....	1267	(1277)
Ringgold.....	1058	(1218)

REGION 7 - 3A: (7 Schools)

Dawson County.....	1126	(1154)
Gilmer.....	1208	(1208)
Lumpkin County.....	1130	(1140)
Pickens.....	1260	(1266)
Wesleyan.....	0497	(1167)
West Hall.....	1186	(1284)
White County.....	1183	(1213)

REGION 8 - 3A: (6 Schools)

East Jackson.....	0984	(1002)
Franklin County.....	1067	(1079)
Hart County.....	1064	(1098)
Monroe Area.....	1097	(1107)
Oconee County.....	1246	(1260)
Stephens County.....	1104	(1114)

2A (65 Schools, 58 Football)

REGION 1 - 2A: (7 Schools)

Berrien.....	0845	(0885)
Cook.....	0890	(0930)
Dodge County.....	0838	(0854)
Fitzgerald.....	0838	(0874)
Jeff Davis.....	0842	(0874)
Sumter County.....	1025	(1037)
Worth County.....	0834	(0874)

REGION 2 - 2A: (8 Schools)

ACE Charter.....	0504	(0984)
Central-Macon.....	0827	(1371)
Jordan.....	0887	(1071)
Kendrick.....	0925	(1005)
Northeast-Macon.....	0724	(0794)
Rutland.....	0880	(0970)
Southwest-Macon.....	0779	(0793)
Spencer.....	0929	(1091)

REGION 3 - 2A: (8 Schools)

Appling County.....	1028	(1040)
Brantley County.....	0931	(0951)
Pierce County.....	1034	(1044)
Tattnall County.....	1005	(1035)
Toombs County.....	0809	(0899)
Vidalia.....	0760	(1064)
Windsor-Forest.....	0982	(1024)
** Savannah Arts.....	0913	(0919)

REGION 4 - 2A: (11 Schools)

Butler.....	0770	(0864)
Glenn Hills.....	0871	(0893)
Josey.....	0692	(0708)
Laney.....	0665	(0895)
Putnam County.....	0860	(0866)
Thomson.....	0984	(0986)
Washington County.....	0881	(0891)
Westside, Augusta.....	0906	(1004)
** Davidson Fine Arts.....	0415	(0415)
** Johnson-Augusta.....	0348	(0348)
** Technical Career Magnet.....	0282	(0282)

REGION 5 - 2A: (8 Schools)

Callaway.....	0895	(0965)
Columbia.....	0985	(1003)
ELCA.....	0337	(0891)
Landmark Christian.....	0347	(0995)
McNair.....	0776	(0776)
Redan.....	0932	(0952)
Towers.....	0795	(0807)
** Elite Scholars.....	0366	(0372)

CLASSIFICATION & ALIGNMENT FOR 2022-23

REGION 6 - 2A: (10 Schools)

B.E.S.T. Academy.....	0336	(0336)
KIPP Atlanta.....	0803	(2047)
Mt. Paran.....	0444	(0680)
North Cobb Christian.....	0371	(1039)
South Atlanta.....	0857	(0921)
Therrell.....	1003	(1055)
Washington.....	0862	(0922)
NR - Walker.....	0338	(0944)
** Coretta S. King.....	0362	(0362)
** Drew Charter.....	0493	(0535)

REGION 7 - 2A: (7 Schools)

Fannin County.....	0893	(0893)
Gordon Central.....	0848	(0968)
Haralson County.....	0947	(0949)
Model.....	0712	(0998)
Murray County.....	1059	(1069)
North Murray.....	0997	(1055)
Rockmart.....	0956	(0964)

REGION 8 - 2A: (6 Schools)

Athens Academy.....	0350	(0912)
Banks County.....	0886	(0886)
East Jackson.....	0984	(1002)
Fellowship Christian.....	0389	(0849)
Providence Christian.....	0306	(0914)
Union County.....	0915	(0975)

A - Division 1 (48 Schools, 38 Football)

REGION 1 - A, Division 1: (4 Schools)

Bacon County.....	604	(628)
Brooks County.....	524	(580)
Irwin County.....	484	(508)
Pelham.....	432	(932)

REGION 2 - A, Division 1: (5 Schools)

Bleckley County.....	652	(798)
Dublin.....	544	(652)
East Laurens.....	664	(710)
Jefferson County.....	651	(655)
Swainsboro.....	779	(781)

REGION 3 - A, Division 1: (6 Schools)

Bryan County.....	598	(606)
Claxton.....	524	(548)
Metter.....	452	(504)
Savannah.....	635	(695)
Screven County.....	576	(586)
** Woodville-Tompkins.....	663	(663)

REGION 4 - A, Divison 1: (4 Schools)

Crawford County.....	529	(545)
Heard County.....	647	(731)
Lamar County.....	819	(861)
Temple.....	674	(738)

REGION 5 - A, Division 1: (5 Schools)

Jasper County.....	650	(654)
Oglethorpe County.....	611	(627)
Prince Avenue Christian.....	289	(693)
Social Circle.....	591	(817)
** Stillwell Arts.....	534	(576)

REGION 6 - A, Divison 1: (10 Schools)

Mt. Vernon.....	456	(1168)
Mt. Pisgah.....	275	(533)
St. Francis.....	281	(817)
Whitefield Academy.....	310	(844)
NR - King's Ridge.....	275	(587)
** Atlanta International.....	391	(753)
** Galloway.....	327	(591)
** Mt. Bethel.....	144	(422)
** Paideia.....	465	(765)
** Weber School.....	271	(747)

REGION 7 - A, Division 1: (8 Schools)

Armuchee.....	509	(659)
Chattooga.....	677	(713)
Coosa.....	658	(764)
Dade County.....	621	(631)
Darlington.....	562	(834)
Pepperell.....	730	(854)
Trion.....	381	(881)
** Dalton Academy.....	617	(625)

REGION 8 - A, Division 1: (6 Schools)

Athens Christian.....	224	(570)
Commerce.....	489	(767)
Elbert County.....	818	(824)
Rabun County.....	657	(687)
** Barrow Academy.....	611	(617)
** Tallulah Falls.....	351	(765)

CLASSIFICATION & ALIGNMENT FOR 2022-23

A - Division 2 (73 Schools, 49 Football)

REGION 1 - A, Division 2: (13 Schools)

Baconton.....	225	(315)
Early County.....	559	(637)
Miller County.....	251	(297)
Mitchell County.....	346	(362)
Randolph-Clay.....	263	(263)
Seminole County.....	423	(537)
Terrell County.....	312	(312)
NR - Pataula Charter.....	171	(397)
** Baker County.....	077	(099)
** Calhoun County.....	168	(168)
** Quitman County.....	089	(089)
** Southwest Georgia STEM.....	055	(127) Projected
** Stewart County.....	122	(124)

REGION 2 - A, Division 2: (6 Schools)

Atkinson County.....	440	(496)
Charlton County.....	435	(445)
Clinch County.....	317	(337)
Lanier County.....	446	(464)
Turner County.....	339	(339)
** Echols County.....	233	(267)

REGION 3 - A, Division 2: (8 Schools)

Emanuel County Institute.....	330	(434)
Jenkins County.....	316	(316)
McIntosh County Academy.....	385	(385)
Montgomery County.....	288	(308)
Portal.....	270	(282)
** Savannah Classical.....	064	(064)
** Savannah Early College.....	170	(170)
** Steam Academy.....	086	(086)

REGION 4 - A, Division 2: (6 Schools)

Dooly County.....	310	(316)
Hawkinsville.....	350	(414)
Telfair County.....	414	(422)
Treutlen.....	274	(302)
Wheeler County.....	265	(319)
Wilcox County.....	345	(371)

REGION 5 - A, Division 2: (7 Schools)

Georgia Military College.....	316	(472)
Glascok County.....	170	(170)
Hancock Central.....	245	(245)
Johnson County.....	316	(344)
Twiggs County.....	206	(208)
Wilkinson County.....	378	(378)
** Georgia Academy for Blind.....	055	(055)

REGION 6 - A, Division 2: (11 Schools)

Central-Talbotton.....	131	(131)
Chattahoochee County.....	471	(527)
Greenville.....	264	(264)
Macon County.....	359	(359)
Manchester.....	405	(417)
Marion County.....	382	(388)
Schley County.....	401	(577)
Taylor County.....	366	(406)
** Furlow Charter.....	140	(140)
** Rainey-McCullers.....	166	(188)
** Webster County.....	066	(080)

REGION 7 - A, Division 2: (12 Schools)

Bowdon.....	395	(425)
Christian Heritage.....	194	(426)
Mt. Zion-Carroll.....	450	(498)
** Atlanta Classical.....	192	(240)
** Ben Franklin.....	092	(250)
** DeKalb School for Arts.....	327	(327)
** Fulton Leadership Academy.....	226	(260)
** Georgia School for Deaf.....	107	(107)
** Greenforest Christian.....	052	(072)
** SW Atlanta Christian.....	100	(120)
** W.D. Mohammed.....	045	(115)
** Woody Gap.....	020	(022)

REGION 8 - A, Division 2: (10 Schools)

Aquinas.....	219	(479)
Greene County.....	409	(411)
Lincoln County.....	349	(357)
Towns County.....	303	(303)
Warren County.....	159	(161)
Washington-Wilkes.....	385	(385)
NR - GSIC.....	203	(203)
NR - Lake Oconee Academy.....	263	(263)
** Georgia Fugees Academy.....	050	(050) Projected
** Taliaferro County.....	049	(061)

NOTE: The first enrollment figure shown beside each member school is the FTE count in grades 9-12, while the second in () is the Student Reclassification Count after applying the 3.0 multiplier to out-of-district students.

** - Schools not playing varsity football.

NR - Schools playing a non-region schedule in football.

APPENDIX ‘S’

STUDENT TRANSFER SERVICE AREAS FOR NON-PUBLIC & CHARTER MEMBER SCHOOLS

(The Student Transfer Service Area for non-public and charter member schools is the same as the public school service area in which the non-public or charter school resides.)

<u>SCHOOL</u>	<u>SERVICE AREA</u>
ACE Charter.....	Howard HS
Aquinas.....	Richmond Academy
Athens Academy.....	Oconee County HS
Athens Christian.....	Cedar Shoals HS
Atlanta Classical Charter.....	North Atlanta HS
Atlanta International.....	North Atlanta HS
Baconton Charter.....	Mitchell County HS
Ben Franklin (Boarding)	Druid Hills HS
Benedictine.....	Jenkins HS
Blessed Trinity.....	Roswell HS
Calvary Day School.....	Jenkins HS
Christian Heritage.....	Dalton HS
Darlington.....	Rome HS
Drew Charter.....	Jackson-Atlanta HS
ELCA.....	Eagles Landing HS
Excel Christian.....	Woodland-Bartow HS
Fellowship Christian.....	Roswell HS
Fulton Leadership Charter.....	Tri-Cities HS
Furlow Charter.....	Sumter County HS
Galloway.....	Riverwood HS
Georgia Fugees Academy.....	Tucker HS
Greater Atlanta Christian	Meadowcreek HS
Greenforest Christian	Columbia HS
GSIC Charter.....	Hephzibah HS
Hapeville Charter.....	Banneker HS
Hebron Christian.....	Dacula HS
Holy Innocents'.....	Riverwood HS
King’s Ridge Christian.....	Cambridge HS
KIPP Atlanta Charter.....	Douglass HS
Landmark Christian.....	Creekside HS
Lovett.....	North Atlanta HS
Marist.....	Chamblee HS
Mt. Bethel.....	Sprayberry HS
Mt. Paran Christian.....	Kennesaw Mountain HS
Mt. Pisgah Christian.....	Centennial HS
Mt. Vernon School.....	North Springs HS
North Cobb Christian.....	North Cobb HS

<u>SCHOOL</u>	<u>SERVICE AREA</u>
Pace Academy.....	North Atlanta HS
Paideia.....	Druid Hills HS
Pataula Charter.....	Calhoun County HS
Prince Avenue Christian	North Oconee HS
Providence Christian.....	Berkmar HS
St. Francis.....	Cambridge HS
St. Pius X.....	Cross Keys HS
St. Vincent's Academy.....	Savannah HS
Savannah Christian.....	Groves HS
Savannah Country Day.....	Windsor Forest HS
SW Atlanta Christian.....	Therrell HS
SW Georgia STEM.....	Sumter County HS
STEAM Academy Charter.....	Statesboro HS
Tallulah Falls (Boarding)	Habersham Central HS
Trinity Christian.....	East Coweta HS
Walker School.....	Marietta HS
W.D. Mohammed.....	McNair HS
Weber School.....	North Springs HS
Wesleyan School.....	Norcross HS
Westminster.....	North Atlanta HS
Whitefield Academy.....	Pebblebrook HS
Woodward Academy.....	Tri-Cities HS

APPENDIX 'Z'

Results & Records of State Playoff Events from 2021-22 School Year

STATE LITERARY - 2022

A Private

Extemporaneous Speaking - Domestic

1. Ricardo Urena, Athens Academy
2. Lucy Smith Biemiller, Savannah Christian
3. Braydon Armstrong, Deerfield-Windsor
4. Brooke Partridge, King's Ridge

Extemporaneous Speaking - International

1. Anvesha Das, Athens Academy
2. James Burrell, Stratford Academy
3. Lukas Holliger, King's Ridge
4. Jackson Kennedy, Wesleyan

Oral Interpretation - Humorous

1. Becca VanKirk, North Cobb Christian
2. McKenna Edenfield, King's Ridge
3. Bridges Pierce, Deerfield-Windsor
4. Davis Olds, Wesleyan

Oral Interpretation - Dramatic

1. Olivia Willett, Brookstone
2. Davison Filson, Lakeview Academy
3. Cyra Kaikobad, Christian Heritage
4. Michael Michas, Deerfield-Windsor

Oral Interpretation - Duo

1. N. Cobb Christian: Bryson Maycumber, Becca VanKirk
2. Brookstone: Olivia Willett, Evan Smallwood
3. Lakeview Ac.: Ari Mikels, Davison Filson
4. Geo. Walton: Elizabeth Pope, Alex Hutchison

Essay - Argumentative

1. Garv Gaur, Lakeview Academy
2. Allie Baja, Savannah Christian
3. Genesis Woods, Brookstone
4. Erin Higgins, Christian Heritage

Essay - Personal

1. Roxanna Karim, King's Ridge
2. Caroline McQueen, Savannah Christian
3. Ava Poteet, Christian Heritage
4. Annabeth Tarbutton, Stratford Academy

Essay - Rhetorical

1. Nevaeh McGuire, St. Francis
2. Callie Jarrard, First Presbyterian
3. Will Brown, Christian Heritage
4. Norah Bishop, Wesleyan

Boys Solo

1. Zach Russell, Wesleyan
2. Landon Clark, North Cobb Christian
3. Ari Mikels, Lakeview Academy
4. Jack Boyer, George Walton

Girls Solo

1. Alessandra Cawley, King's Ridge
2. Elinore Fennimore, Stratford Academy
3. Tori Hedlund, Wesleyan
4. Jackie Boyanchek, Brookstone
4. Allison Carter, George Walton

Trio

1. King's Ridge: Roxanna Karim, Lily Gardner, Cailin Dickey
2. Wesleyan: Nadia Thieriot, Gig Alembik, Rylie Jones
3. Christian Heritage: Alex Kinsey, Sophia Laboy, Kiley Branam
4. Calvary Day School: Annie Barr, Sarah Bond, Breanna Plummer

Quartet

1. Wesleyan: Zach Russell, William Sabonis-Chafee, Carson Green, Philip Burns
2. Christian Heritage: Isaiah Elben, Bryson Jackson, Stone Nicholson, Nicholas Suttles
3. Lakeview Academy: Hunter Allen, Noah Caplan, Garv Gaur, Ari Mikels
4. Stratford Academy: Adam Lease, Hendley London, Jonathan Lease, Andy Cheek

Team Winners

1. King's Ridge - 30
2. Wesleyan - 25

3. Lakeview Academy - 21
4. North Cobb Christian - 19

A Public

Extemporaneous Speaking - Domestic

1. Emma Kate Godin, Georgia Military Col.
2. Graham Spires, Telfair County
3. Samuel Martinez, Atkinson County
3. Lillie Hornsby, Seminole County

Extemporaneous Speaking - International

1. Mya Hall, Georgia Military College
1. Emalee Collins, Armuchee
3. Madison McDonald, Commerce
4. Abigail Hay, Miller County

Oral Interpretation - Humorous

1. Nikki Cumba, Georgia Military College
2. Emma Grade Tudor, Echols County
3. Julia Dixon, Lake Oconee Academy
4. Brian Sims, Seminole County

Oral Interpretation - Dramatic

1. Josey Maddox, Georgia Military College
2. Madeline Farnham, Commerce
3. Lily Harbuck, Schley County
4. Caden Kearns, Seminole County

Oral Interpretation - Duo

1. GMC: Wyatt Baugh, Alexis Waldroup
2. Lake Oconee Acad.: Elisa Garcia-Carreras, Jacob Moore
3. Schley Co.: Doyle Peek, Mariana DeTitta
4. ACE: Kallianne Newvine, Jordan Silver

Essay - Argumentative

1. Camille Fry, ACE Charter
2. Byron Darton, Drew Charter School
3. Tegan Rigdon, Wheeler County
3. Abigail Hay, Miller County

Essay - Personal

1. Harshita Patel, Georgia Military College
2. Callie Lowery, Irwin County
3. Molly Bridges, Wheeler County
4. Lydia Prudent, Rainey-McCullers

Essay - Rhetorical

1. Ivey Tolbert, Commerce
2. Lucy Corkran, Drew Charter School
3. Amber Seabolt, Wheeler County
3. Emilee Phillips, Baconton

Boys Solo

1. Lucas Minton, Lake Oconee Academy
2. Ja'Quan Smiley, Telfair County
2. Nathan Simpson, Georgia Military College
4. Isaiah Sargent, Trion

Girls Solo

1. Emerson Ivey, Georgia Military College
2. Madison Chambers, Social Circle
2. Grace Lawhorn, Rainey-McCullers
4. Rachel Brantley, Telfair County

Trio

1. Rainey-McCullers: Lydia Prudent, Grace Lawhorn, Kayla Griffin
2. Georgia Military College: Abigail Johnson, Emerson Ivey, Devon Harper
3. Seminole Co.: Jonie Hicks, Jobeth Kelley, Hope Humphries
4. Lake Oconee Academy: Remi Baker, Elisa Garcia-Carreras, Sarah Grace Ingle

Quartet

1. Rainey-McCul.: Brooklyn Jones, Deriaun Faison, Jeremiah Lane, Dakory Wilson
2. GMC: Wyatt Baugh, Kenyon Shy, Nathan Simpson, Maddox Raburn
3. Lake Oconee Ac.: Lucas Minton, Gemin Manto, Walker Cannon, Jacob Moore
4. Charlton Co.: Jonah Capps-Harris, Judson Graham, Caleb Bryant, Tanner Murray

Team Winners

1. Georgia Military College - 62
2. Lake Oconee Academy - 19

3. Rainey-McCullers - 18
4. Commerce - 15

Class 2A

Extemporaneous Speaking - Domestic

1. Tiffani McClain, Jasper County
2. Kevin Thomas, Bremen
3. Lindsey Lowrance, Gordon Central
4. Ash Arroyo, Oglethorpe County

Extemporaneous Speaking - International

1. Catherine Hughes, Gordon Central
2. Yugean Shin, Bremen
3. Charlie Brewer, Oglethorpe County
4. Mikayli Roberson, Washington

Oral Interpretation - Humorous

1. Olivia Reeves, Bremen
2. Elli Griffin, Thomasville
3. Jared Nguyen, Stilwell Arts
3. Breanna Morris, Gordon Central

Oral Interpretation - Dramatic

1. Isabella McWhorter-Yun, Bremen
2. Aubry Dorsey, Gordon Central
3. Mikkelle Peters, Vidalia
4. Akiyah Hall, Fitzgerald

Oral Interpretation - Duo

1. Bremen: Olivia Reeves, James Perrin
2. Vidalia: Allen Johnson, Roman Edwards
3. Bleckley Co.: Kate Maddox, Allie Hataway
4. Putnam Co.: Georgia Hamlin, David Trice
4. Stilwell Arts: Laila Johnson, Angelina Cabin

Essay - Argumentative

1. Roman Edward, Vidalia
2. Casiana Lummer, Thomasville
3. Delaney Chambers, Putnam County
4. Elizabeth Mathis, Washington

Essay - Personal

1. John Graham, Jeff Davis
2. Sara Grace Abernathy, Model
3. Connie Tarpley, Temple
4. Gabrielle Joseph, Stilwell Arts
4. May Jewel Crosby, Putnam County

Essay - Rhetorical

1. Lily Gambrell, Bremen
2. Emma Grace Jarvis, Elbert County
3. MaiLey Long, Bleckley County
4. Mikkelle Peters, Vidalia

Boys Solo

1. Grady Taylor, Washington
2. Jack Schmitt, Pace Academy
3. Jordan Johnson, Bremen
4. John Graham, Jeff Davis

Girls Solo

1. Carly Cannon, Pace Academy
2. Hannah Seabolt, Bremen
3. Shannon Collins, Vidalia
4. Delaney Corley, Washington

Trio

1. Washington: Taylor Smith, Victoria Sherman, Claire Buch
2. Pace Academy: Ava Byrne, Lyndsey Davis, Carly Cannon
3. Bremen: Lexi Atkins, Ava Smith, Sara Nicholson
4. Gordon Central: Haley Sloan, Itzel Lopez, Aubry Dorsey

Quartet

1. Washington: Grady Taylor, Nicholas Duckworth, Brian Warthen, Alex Tu
2. Gordon Central: Seth Hare, Sam Holder, Jude Clance, Addison Baker
3. Pace Academy: Jack Schmitt, Jordan Loughran, Brody Hingst, Chris Mason
3. Bremen: Zakkery Bianchi, Owen Payne, Jordan Johnson, Gianni Maestroserio

Team Winners

1. Bremen - 51

STATE LITERARY - 2022

2. Washington - 24
3. Gordon Central - 23
4. Pace Academy - 19
4. Vidalia - 19

Class 3A

Extemporaneous Speaking - Domestic

1. Nova Valor Lekes, East Forsyth
2. Landon Vaughn, Oconee County
3. Khariss Bender, GACS
4. Drew Rice, Morgan County

Extemporaneous Speaking - International

1. William Gray, Pike County
2. Ella Stillion Southard, Oconee County
3. Connor Lannaman, Sandy Creek
4. Jeanna Dekich, Ringgold

Oral Interpretation - Humorous

1. Makenzee McDougad, North Hall
1. Trevor Arnold, Ringgold
3. Jackson Tucker, Oconee County
4. Willie White, Pierce County

Oral Interpretation - Dramatic

1. Aubrey Helson, Ringgold
2. Taylor Martin, Pike County
3. Sofia Rama, GACS
4. Ellie Atkins, Oconee County

Oral Interpretation - Duo

1. North Hall: Zoe Davidson, Sam Morgan
2. Ringgold: Eli Talley, Will Forgey
3. Mary Persons: Abby Etheridge, Christopher Slaughter
4. GACS: Joseph Connel, Rebekah Mason

Essay - Argumentative

1. Aday Mugaleta, Sandy Creek
2. Cianna Kicklighter, Pierce County
3. Sam Synder, Oconee County
4. Jose Ruiz Zepeda, West Hall

Essay - Personal

1. Makenna Reavis, Monroe Area
2. Courtney Black, Brantley County
3. Emma Opper, Liberty County
4. Juliet Blehm, North Hall

Essay - Rhetorical

1. Juliana Hayunga, Oconee County
2. Annie Cobb, Cherokee Bluff
3. Samantha Pinnell, Crisp County
4. Yubo Fu, Southeast Bulloch

Boys Solo

1. Nikoli Smith, Lumpkin County
2. Eli Talley, Ringgold
3. William Little, Mary Persons
4. James Waters, Southeast Bulloch

Girls Solo

1. Iley Barnes, Ringgold
2. Sara Maghiar, Southeast Bulloch
3. Mary Katherine Mathews, Morgan County
4. Georgia Thomas, GACS

Trio

1. Mary Persons: Meghan Bennett, Sydney Stapleton, Abi Wilks
2. Oconee County: Grace Kanavage, Kiera Moore, Charlie Rachel
3. GACS: Sydney Barbour, Julia McDonnell, Lorelei Osborne
4. Appling County: Emma Westberry, Shane'na Gillis, April Johnson

Quartet

1. Ringgold: Eli Talley, Will Forgey, Brayden Roach, Trevor Arnold
2. Morgan Co.: John Duclos, Dominic Biscaglia, Trey Plamer, Charles McGregor
3. Lumpkin Co.: Nikoli Smith, Dylan Henschen, Michael Young, Nathan Ziemer
4. Southeast Bulloch: Joshua Davis, William Gapac, Jacob Luft, Ryan Whitaker

Team Winners

1. Ringgold - 38
2. Oconee County - 29
3. North Hall - 14
4. Mary Persons - 13

Class 4A

Extemporaneous Speaking - Domestic

1. Hannah Carter, North Oconee
2. William Smith, Central-Carroll
3. Jasmine Ray, Fayette County
4. Sean Velie, Perry

Extemporaneous Speaking - International

1. Piper Duncan, Pickens
2. Vaibhav Mishra, West Laurens
3. Paul Westmoreland, Madison County
4. Sheefa Keshwani, Fayette County

Oral Interpretation - Humorous

1. CJ Manno, North Clayton
2. Britten Wood, Perry
3. Teri McCord, Bainbridge
4. Caitlyn Purcell, Cedartown

Oral Interpretation - Dramatic

1. Aili Toivonen, Perry
2. Arianna Jackson, Northwest Whitfield
3. Ellen Corry, North Oconee
3. Kendall Simmons, Columbus

Oral Interpretation - Duo

1. NW Whitfield: Charlotte Edwards, Emily Hunt
2. North Oconee: Ellen Corry, Cole Joyner
3. Perry: Denise Grace, Jay Rice
4. TCC: Molly Grace White, Ranson Young

Essay - Argumentative

1. Jacob Griner, North Oconee
2. Tansy Pathakamuri, Columbus
3. Kelly Adams, Fayette County
4. Riley Newman, Spalding

Essay - Personal

1. Ellen Corry, North Oconee
2. Laura Heirs, Thomas County Central
3. Emma Delaney, Heritage-Catoosa
4. Maddie Lamb, Marist

Essay - Rhetorical

1. Charlotte Young, Columbus
2. Anna Eddleman, Central-Carroll
3. Jada Anderson, Fayette County
4. Sarah Heller, Marist

Boys Solo

1. Monteze Sutton, Mays
2. William Smith, Central-Carroll
3. Evan Wyatt, West Laurens
4. Braxton Sibley, Westover

Girls Solo

1. Malia Horst, North Oconee
2. Natalie Crosby, Howard
3. Meera Srinivisan, Columbus
4. Olivia Kincaid, Marist

Trio

1. Heritage-Catoosa: Jenna Yim, Avery Frost, Kaylan Davis
2. Flowery Branch: Abbi Nagel, Maddie Pruitt, Marissa Sherbondy
3. LaGrange: Shamiracle Hardaway, Kalisa Lynch, Jordan McIntosh
4. Rutland: Kiana Knight, Kalisa Bluford, Eyonna Bivins

Quartet

1. Columbus: Charlie Hearn, Trae Tolbert, Brandon Ingram, Carson Tomlinson
2. Flowery Branch: Gami Rodriguez, Jonas Corbin, Kellen Wise, Sawyer Shubert
3. Central-Carroll: Carson Spears, Logan Robinson, Reagan Latham, William Smith
4. Westover: Malachi Wright, Jarell Reliford, Michael Johnson, Braxton Sibley

Team Winners

1. North Oconee - 43
2. Columbus - 23
3. Central, Carroll - 18
4. Perry - 16

Class 5A

Extemporaneous Speaking - Domestic

1. Will Ickman, Calhoun
2. Amiyah Elam, Ware County
3. Jaion Henderson, Tri-Cities
4. Gray Hamby, Decatur

Extemporaneous Speaking - International

1. Pramit Patel, Calhoun
2. Lydia Witter, Decatur
3. Conner Kelly, Johnson, Gainesville
4. Jace Cooksey, Wayne County

Oral Interpretation - Humorous

1. Catherine Govigon, Calhoun
2. Gracie Stinnette, Harris County
3. Jared Bathurst, Apalachee
4. Aralyn Clements-King, Union Grove

Oral Interpretation - Dramatic

1. Amiyah Elam, Ware County
2. Tiara Cousins, Calhoun
3. Kevin Anderson, Tri-Cities
4. Destiny Sutton, Lithonia

Oral Interpretation - Duo

1. Calhoun: Chloe McFarland, Addi Lester
2. Warner Robins: Destiny Thaxton, Ashton Johnson
3. Ola: Jason Leeper, Lana Wilkins
4. Harris Co.: Gavin Rakocy, Hunter Fillingim

Essay - Argumentative

1. Kathryn Brook, Calhoun
2. Eshny Upadhyay, McIntosh
3. Vivian Nguyen, Union Grove
3. Alexandra Cochon, Ware County

Essay - Personal

1. Finn Van Vorst, Whitewater
2. Janeyah Avila, Tri-Cities
3. Dinah Rogers, Decatur
4. Jordyn Akandmu, Jackson County

Essay - Rhetorical

1. Katarina Blanchette, Cartersville
2. Kianya James, Eastside
3. Ciara Devane, Locust Grove
3. Jordyn Spencer, Tri-Cities

Boys Solo

1. Mason Carter, Warner Robins
2. Nicholas Wilkinson, Tri-Cities
3. Jonathan Stonehocker, Greenbrier
4. Samuel Bernstein, Cartersville

Girls Solo

1. MacKenzie Wynn, Loganville
2. Chayse Armstead, Tri-Cities
2. De'Nasia Thomas, Ware County
4. Kennedy Chambers, Ola

Trio

1. Loganville: Taylor Norton, Caryl Robson, MacKenzie Wynn
2. Calhoun: Mayce Holland, Anna Katheryn Hayes, Graycen Nudd
3. Jones County: Paige Pieterick, Bethany Tapee, Scarlett Spradlin
4. Ware County: De'Nasia Thomas, Myra Relyea, Lauren Moore

Quartet

1. Calhoun: Adrian Galyen, Porter Ledford, Caleb Riley, Brandon Webb
2. Ware County: Micha Smith, Jared Tapley, Lex Thornton, Josh Musgrove
3. Tri-Cities: Nicholas Wilkson, Yeshua Hardy, Ashton Graham, Joshua Chapple
4. Ola: Nicholas Coffin, Timmy Jones, Chris Turner, Owen Morrison

STATE LITERARY - 2022

Team Winners

1. Calhoun - 52
2. Tri-Cities - 25
3. Ware County - 24
4. Loganville - 14

Class 6A

Extemporaneous Speaking - Domestic

1. Sarah Forberger, Dalton
2. Hilton Manry, Lee County
3. Joanna Xiao, Richmond Hill
4. Maggie Haggerty, Sequoyah

Extemporaneous Speaking - International

1. Wesley Lander, Sequoyah
2. Sophia Lee, Buford
3. Morgan Gill, Rockdale County
4. William Talley, Allatoona

Oral Interpretation - Humorous

1. Jenna Gubran, Buford
2. Brayden Bayle, Alexander
2. Chloe Butts, Lee County
4. Quame Pierre, Brunswick

Oral Interpretation - Dramatic

1. Bryson Carter, Northside-Warner Robins
2. Maddison Lawson, Creekview
3. Sydney Holton, Buford
4. Jamelia Fulton, Brunswick

Oral Interpretation - Duo

1. Glynn Acad.: Austin Lofquist, Jack Slade
2. Grovetown: Chayah Worth, Amanda Worthy
3. Northside-WR: Owen Givens, Walker Durham
4. Buford: Jenna Gubran, Grace Johnson

Essay - Argumentative

1. Lindsey Robles, Douglas County
2. Christina Huelte, Allatoona
3. Teagan Balla, Lee County
4. Justin Bolsen, Creekview

Essay - Personal

1. Sarah Hodges, Paulding County
2. Samantha Gray, Grovetown
3. Katie McConnell, Creekview
4. Karyme Santibanez, Buford

Essay - Rhetorical

1. Stephanie Matter, Sequoyah
2. Angelica Malinao, Lee County
3. Emily Kaiser, Richmond Hill
4. Daniel Sherrer, Kennesaw Mountain

Boys Solo

1. Isaiah Williams, Lee County
2. Dylan Appling, Buford
3. Colin Daniell, Kennesaw Mountain
4. Liam McRee, Rome

Girls Solo

1. Mara Eva Cline, Buford
2. Savannah Legg, Richmond Hill
3. Annie VanPelt, Kennesaw Mountain
4. Remelie Heide, Northside-Warner Robins

Trio

1. Buford: Mara Eva Cline, Rachael Bryson, Alyssa Lovern
2. Sequoyah: Ashlyn Bolduc, Suzanne Cook, Taryn Mareau
3. Carrollton: Georgia Kingeter, Natalie Johnson, Madison Brown
4. Heritage, Conyers: Shelby Symons, Sydney Parker, Emma Holcombe

Quartet

1. Central Gwinnett: Eric Clayton, Aubrey Dunbar, Connor Schenke, Jordan Zarwea
2. Richmond Hill: Sunno Kim, Ryan Fruchtl, Maddux Kilmede, James Wooten
3. Sequoyah: Cameron Diamond, Kyle Kennedy, Jephrey Oliver, Wesley Lantor
4. Kennesaw Mountain: Ben Trussell, Diego Turner-Figueroa, Logan Tracy, Colin Daniell

Team Winners

1. Buford - 36
2. Lee County - 23
2. Sequoyah - 23
4. Richmond Hill - 17

Class 7A

Extemporaneous Speaking - Domestic

1. Cooper Guyon, North Paulding
2. Alison Oldani, Forsyth Central
3. Nicholas Meyer, Roswell
4. Sadie McIntyre, Mill Creek

Extemporaneous Speaking - International

1. Jaiden Garcia, Archer
2. Etinosa Ogbomo, Marietta
3. Gabriel Langston, Tift County
4. Caleb Lux, Parkview

Oral Interpretation - Humorous

1. Emmanuel Mwangi, Cherokee
2. Spencer Dow, Lambert
3. Dyllon Glaze, Harrison
4. Madellyn Gross, Mill Creek

Oral Interpretation - Dramatic

1. Alijah Roberson, Marietta
2. Brittany Pack, Cherokee
2. Morgan Crump, South Forsyth
4. Macarria Mitchell, Colquitt County

Oral Interpretation - Duo

1. West Forsyth: Bobby Ernst, Ava Nelson

2. Mill Creek: Orisetimeyin Mabiaku, Ervin Richard
3. Roswell: Emma Martin, Olivia Rodman
4. Marietta: Savannah Dixon, Erin Johnson
4. Archer: Jasur Givens, Rowan Harris

Essay - Argumentative

1. Lily Hurn, Hillgrove
2. Cadence Cooper, Archer
3. Grace Leitner, Forsyth Central
3. Enne Kim, Mill Creek

Essay - Personal

1. Grace Ajibola, Archer
2. Olivia Langston, Cherokee
3. Isabella Forbes, Camden County
4. Temilouwa Oduola-owoo, Mill Creek

Essay - Rhetorical

1. Michal Gregus, Tift County
2. Anna Scott Wieler, Cherokee
3. Mia Penner, Marietta
4. Joseph Hill, Forsyth Central

Boys Solo

1. Anargha Pal, Denmark
2. Michal Gregus, Tift County
3. Michael Lawrence, Mill Creek
4. David Champion, Harrison

Girls Solo

1. Hollee Dunston, Tift County
2. Reese Cooper, West Forsyth
3. Lauren Sweat, Harrison
4. E. Quinn Dillard, Mill Creek

Trio

1. Denmark: Thea Valencia, Elizabeth Guy, Sahithi Doddaka
2. Harrison: Lauren Sweat, Nathalie Nguyen, Macy Kiger
3. Cherokee: Selika Hulbert, Lauren Heaney, Sarah Bell
4. Grayson: Celine Houenou, Caroline Pettit, Marley Willimas

Quartet

1. Denmark: Anargha Pal, Charlie Dougal, Sam Youseff, Alex Cherries
2. Etowah: Brady Winters, Nick Miller, Jonathan Palmer, Sam Carter
3. Mill Creek: Nathan Curtis, Michael Lawrence, Elijah Johnson, Joshua Frazee
4. Harrison: Blake Dwelle, Ethan Martinez, Noah Templin, David Champion

Team Winners

1. Cherokee - 24
2. Tift County - 22
3. Denmark - 21
4. Archer - 19.5

STATE ONE-ACT PLAY - 2021-22

7A

1. Milton: "The Musical Comedy Murders of 1940"
 2. Brookwood: "Pippin"
 3. Denmark: "Curtains"
 4. Camden County: "The Wind in the Willows"
- Best Actress:** Alexia Carter – Camden County
Best Actor: Tony Webb – Denmark

6A

1. Houston County: "A Chorus Line"
 2. Evans: "The Diviners"
 3. Buford: "Little Women"
 4. Dalton: "Into the Woods"
- Best Actress:** Mara Eva Cline - Buford
Best Actor: Oliver Caffee - Evans

5A

1. Warner Robins: "Memphis"
 2. Tri Cities: "A Midsummer Night's Dream"
 3. Calhoun: "Singin' in the Rain"
 4. Greenbrier: "I and You"
- Best Actress:** Jordyn Spencer –Tri-Cities
Best Actor: Mason Carter–Warner Robins

4A

1. Thomas Co. Central: "A Piece of My Heart"
 2. Northwest Whitfield: "Antigone"
 3. Perry: "The Mystery of the Raddlesham Mumps"
 4. Columbus: "Antigone"
- Best Actress:** Ellen Corry – North Oconee
Best Actor: Ryder Underwood – NW Whitfield

3A

1. Franklin County: "Running Upstream"
 2. Ringgold: "Guys and Dolls"
 3. Harlem: "Dining Room"
 4. North Hall: "The 25th Annual Putnam County Spelling Bee"
- Best Actress:** Sofia Rama – GACS
Best Actor: Jon Erik Tripp – Franklin County

2A

1. Davidson Fine Arts: "The Terrible Infants"
2. Model: "The Curious Incident of the Dog in the Nighttime"
3. Thomasville: "Little Shop of Horrors"
4. Vidalia: "Ruby's Story"

Best Actress: Isabel Edwards – Model

Best Actor: Luke Naddy – Model

A Public

1. Ga. Military College: "Bullets Over Broadway"
 2. Lake Oconee Academy: "Working"
 3. Echols Co.: "The Other Side of Troublesome"
 4. Seminole Co.: "NSA's Guide to Winning Friends and Influencing People"
- Best Actress:** Cheyanne Dixon – Ga. Military Col.
Best Actor: Gemin Manto – Lake Oconee Acad.

A Private

1. Lakeview Academy: "Spamalot"
 2. Deerfield Windsor: "The Curious Incident of the Dog in the Nighttime"
 3. Brookstone: "The Miss Firecracker Contest"
 4. Athens Academy: "Quilters"
- Best Actress:** Frances Cottrell – Brookstone
Best Actor: Michael Michas – Deerfield Windsor

STATE BASEBALL PLAYOFFS - 2022

7A

Round 1

North Cobb	13, 8	Camden County	3, 5
Woodstock	9, 12	Duluth	2, 0
Mountain View	4, 10	South Forsyth	3, 1
Newnan	17, 9	Newton	2, 2
Colquitt County	6, 9	Harrison	3, 2
Alpharetta	5, 7, 8	Dunwoody	7, 6, 6
Lambert	4, 16	Peachtree Ridge	2, 0
Parkview	10, 14	McEachern	0, 4
Campbell	1, 5, 6	Brookwood	9, 4, 5
North Gwinnett	3, 5, 11	Denmark	1, 7, 6
Etowah	7, 9	Norcross	0, 1
Walton	8, 5	Tift County	0, 1
East Coweta	11, 10	Grayson	1, 0
Mill Creek	2, 8, 4	North Forsyth	3, 2, 3
Cherokee	13, 10	Archer	1, 3
Lowndes	3, 7	North Paulding	1, 0

Round 2

Woodstock	9, 7	North Cobb	4, 2
Newnan	12, 5	Mountain View	5, 1
Colquitt County	4, 2, 10	Alpharetta	2, 14, 1
Parkview	10, 10	Lambert	0, 0
North Gwinnett	9, 4	Campbell	3, 1
Etowah	3, 6, 4	Walton	5, 1, 3
Mill Creek	3, 9	East Coweta	2, 2
Lowndes	3, 6	Cherokee	1, 1

Quarterfinals

Woodstock	4, 4	Newnan	2, 2
Parkview	6, 7	Colquitt County	2, 1
Etowah	8, 3, 11	North Gwinnett	2, 4, 1
Mill Creek	1, 1, 2	Lowndes	2, 0, 0

Semifinals

Woodstock	4, 6	Parkview	3, 4
Etowah	3, 4	Mill Creek	2, 2

Final

Woodstock	5, 4	Etowah	0, 0
-----------	------	--------	------

6A

Round 1

Lakeside-Evans	4, 13	Valdosta	2, 2
South Paulding	11, 7	Riverwood	1, 2
Lassiter	4, 4, 6	Winder-Barrow	9, 3, 3
Richmond Hill	12, 15	Lakeside-DeKalb	2, 3
Lee County	6, 12	Grovetown	1, 0
Alexander	5, 2	River Ridge	4, 1
Allatoona	8, 7	Lanier	1, 0
South Effingham	11, 6	Westlake	5, 4
Effingham County	13, 5	North Atlanta	10, 4
Pope	11, 10	Dacula	0, 0
Carrollton	1, 13, 16	Sequoyah	5, 3, 5
Evans	15, 10	Northside-WR	0, 0
Glynn Academy	10, 7, 7	Tucker	5, 8, 3
Buford	14, 7	Kennesaw Mountain	4, 2
Cambridge	5, 7	East Paulding	1, 2
Houston County	15, 14	Alcovy	0, 0

Round 2

South Paulding	13, 2, 4	Lakeside-Evans	2, 13, 3
Lassiter	2, 7, 6	Richmond Hill	6, 4, 2
Alexander	3, 1	Lee County	2, 0
Allatoona	3, 7, 3	South Effingham	5, 1, 0
Pope	17, 15	Effingham County	2, 1
Evans	4, 0, 9	Carrollton	1, 7, 5
Buford	7, 14	Glynn Academy	3, 0
Houston County	8, 8	Cambridge	6, 2

Quarterfinals

Lassiter	2, 10, 7	South Paulding	9, 7, 6
Allatoona	12, 6	Alexander	2, 0
Pope	8, 9	Evans	4, 6
Buford	4, 6, 11	Houston County	2, 7, 1

Semifinals

Allatoona	4, 5	Lassiter	2, 1
Pope	8, 8	Buford	5, 4

Final

Pope	10, 9	Allatoona	0, 2
------	-------	-----------	------

5A

Round 1

Wayne County	8, 16	Mundy's Mill	7, 1
St. Pius X	2, 3, 2	Woodland-Bartow	0, 4, 1
Apalachee	13, 15	Chapel Hill	3, 0
Whitewater	7, 7	Union Grove	2, 0
Coffee	6, 15	Jonesboro	1, 3
Cartersville	4, 14	Chamblee	3, 6

Greenbrier	13, 12	Jackson-Atlanta	0, 2
Ola	3, 9	McIntosh	0, 0
Starr's Mill	10, 3	Locust Grove	3, 2
North Springs	13, 11	Jackson County	3, 8
Decatur	4, 7	Calhoun	3, 0
Veterans	12, 3, 7	Woodward	10, 5, 5
Harris County	12, 15	Jones County	2, 3
Loganville	10, 12	Midtown	0, 0
Blessed Trinity	4, 21	SW DeKalb	2, 0
Ware County	11, 13	Forest Park	1, 1

Round 2

Wayne County	7, 2	St. Pius X	3, 1
Apalachee	8, 0, 6	Whitewater	5, 7, 5
Cartersville	3, 6	Coffee	2, 0
Greenbrier	12, 6	Ola	2, 0
Starr's Mill	5, 7	North Springs	0, 1
Decatur	8, 7	Veterans	4, 3
Loganville	12, 7	Harris County	0, 6
Ware County	2, 8	Blessed Trinity	1, 5

Quarterfinals

Apalachee	9, 7, 10	Wayne County	5, 12, 9
Cartersville	0, 11, 6	Greenbrier	3, 1, 4
Decatur	10, 11	Starr's Mill	5, 0
Loganville	7, 9	Ware County	1, 0

Semifinals

Cartersville	3, 11	Apalachee	2, 8
Loganville	2, 13	Decatur	1, 7

Final

Loganville	5, 0, 9	Cartersville	4, 1, 0
------------	---------	--------------	---------

4A

Round 1

Bainbridge	11, 7	Islands	6, 4
Heritage-Catoosa	11, 5	Hampton	0, 2
Flowery Branch	14, 9	Arabia Mountain	4, 2
LaGrange	10, 13	Spalding	2, 1
Cairo	13, 16	Jenkins	1, 0
Cedartown	15, 12	McDonough	0, 1
Druid Hills	7, 7	Jefferson	4, 2
Perry	5, 6	Shaw	1, 0
Troup	16, 9	West Laurens	8, 7
Marist	13, 3	Madison County	7, 0
NW Whitfield	8, 2, 13	Fayette County	2, 6, 6
Benedictine	11, 22	Westover	1, 1
Columbus	6, 10	Howard	0, 0
North Oconee	15, 12	Mays	0, 0
Pickens	16, 12	Luella	1, 1
Thomas County Central	12, 11	New Hampstead	1, 0

Round 2

Heritage-Catoosa	9, 13	Bainbridge	1, 12
LaGrange	6, 3, 7	Flowery Branch	2, 6, 3
Cedartown	9, 11	Cairo	0, 1
Perry	12, 9	Druid Hills	2, 5
Troup	2, 11, 10	Marist	5, 10, 5
Benedictine	2, 16, 12	NW Whitfield	7, 6, 2
North Oconee	5, 12	Columbus	3, 0
Thomas County Central	8, 9	Pickens	3, 6

Quarterfinals

LaGrange	1, 2, 5	Heritage-Catoosa	4, 0, 0
Cedartown	8, 5	Perry	3, 2
Benedictine	8, 8, 7	Troup	1, 9, 3
North Oconee	9, 4	Thomas County Central	3, 2

Semifinals

LaGrange	2, 11, 2	Cedartown	4, 0, 0
North Oconee	16, 10	Benedictine	4, 0

Final

North Oconee	3, 9	LaGrange	2, 5
--------------	------	----------	------

3A

Round 1

Long County	19, 11	Liberty County	2, 6
GACS	5, 7	East Forsyth	4, 6
Sonoraville	6, 13	Oconee County	2, 8
Pike County	10, 10	Thomson	0, 1
Appling County	15, 25	Windsor Forest	0, 0
North Hall	11, 11	Westminster	2, 1
Ringgold	6, 4	Hart County	3, 2
Harlem	7, 10	Crisp County	4, 3
Burke County	1, 5, 10	Upson-Lee	3, 2, 4
Stephens County	7, 5	Rockmart	3, 0
Redan	13, 8	Dawson County	9, 6
SE Bulloch	2, 15	Brantley County	0, 2
Morgan County	10, 17	Mary Persons	4, 0
Franklin County	12, 4	Coahulla Creek	0, 2

STATE BASEBALL PLAYOFFS - 2022

Cherokee Bluff9, 16	Sandy Creek1, 10
Pierce County7, 7	Johnson-Savannah0, 0

Round 2

GACS5, 1, 12	Long County2, 5, 2
Pike County1, 5, 8	Sonoraville3, 0, 7
North Hall4, 4, 7	Appling County6, 0, 3
Harlem4, 9	Ringgold0, 3
Burke County7, 1, 4	Stephens County1, 5, 3
Redan2, 2, 7	SE Bulloch12, 1, 5
Franklin County10, 5	Morgan County0, 1
Pierce County4, 3, 9	Cherokee Bluff14, 2, 5

Quarterfinals

Pike County2, 3, 8	GACS5, 2, 1
North Hall7, 3	Harlem4, 2
Redan11, 19	Burke County5, 9
Pierce County5, 6, 7	Franklin County6, 4, 6

Semifinals

Pike County5, 9	North Hall2, 2
Redan5, 11, 6	Pierce County6, 5, 1

Final

Pike County6, 0, 5	Redan4, 2, 4
--------------------------	--------------------

2A

Round 1

Lamar County8, 16	Early County5, 3
Callaway1, 7	Fannin County0, 2
Banks County15, 15	Towers0, 0
Vidalia16, 14	Putnam County1, 1
Cook8, 15	Washington County7, 1
Model10, 2	Heard County1, 1
Lovett5, 11	Union County4, 0
Swainsboro15, 9	Jefferson County11, 3
Toombs County6, 2, 9	Oglethorpe County7, 1, 5
Pace Academy9, 15	Rabun County2, 0
Pepperell7, 4, 8	Bremen3, 6, 7
Bleckley County4, 13	Fitzgerald1, 3
Jeff Davis13, 19	Westside-Augusta3, 1
Elbert County14, 20	Therrell0, 0
Coosa5, 3, 4	Haralson County3, 14, 2
Thomasville9, 10	Dodge County0, 0

Round 2

Callaway10, 10	Lamar County1, 4
Vidalia12, 13	Banks County2, 1
Model3, 10	Cook0, 0
Lovett9, 6	Swainsboro8, 0
Pace Academy8, 10	Toombs County0, 6
Bleckley County3, 2	Pepperell1, 0
Jeff Davis10, 3	Elbert County1, 2
Thomasville11, 11	Coosa3, 0

Quarterfinals

Vidalia2, 17	Callaway0, 0
Lovett4, 1, 5	Model3, 2, 2
Pace Academy5, 7	Bleckley County2, 1
Thomasville7, 2, 3	Jeff Davis2, 3, 0

Semifinals

Vidalia1, 5, 5	Lovett4, 3, 4
Thomasville2, 7	Pace Academy1, 5

Final

Vidalia14, 3, 7	Thomasville4, 10, 0
-----------------------	---------------------------

A (Public)

Round 1

Claxton16, 8	Seminole County6, 1
Schley County0, 3, 10	GSIC2, 0, 0
Washington-Wilkes5, 10	Bowdon0, 7
Charlton County15, 13	Telfair County0, 1
Bryan County20, 7	Pataula Charter10, 6
ACE Charter8, 16	Manchester2, 2

Social Circle2, 9, 7	Trion3, 3, 3
Wilcox County6, 3	Clinch County1, 1
Johnson County3, 15	Lanier County2, 3
Gordon Lee11, 4	Towns County1, 2
Georgia Military2, 3, 26	Marion County4, 2, 12
Metter17, 11	Pelham2, 0
Irwin County10, 4	Hawkinsville0, 2
Commerce7, 11	Armuchee0, 1
Crawford County7, 12	Taylor County2, 2
ECI3, 6	Baconton1, 2

Round 2

Schley County1, 4	Claxton0, 3
Charlton County1, 11, 9	Washington-Wilkes2, 5, 7
ACE Charter14, 9	Bryan County0, 1
Social Circle11, 7	Wilcox County10, 3
Gordon Lee12, 9	Johnson County2, 4
Metter10, 16	Georgia Military0, 3
Commerce6, 1, 9	Irwin County5, 14, 1
ECI9, 12	Crawford County8, 2

Quarterfinals

Charlton County3, 13	Schley County1, 1
Social Circle6, 7, 5	ACE Charter3, 17, 4
Metter5, 10	Gordon Lee2, 1
Commerce2, 17, 8	ECI4, 10, 5

Semifinals

Charlton County4, 16	Social Circle0, 6
Metter11, 5	Commerce4, 0

Final

Metter8, 3	Charlton County7, 0
------------------	---------------------------

A (Private)

Round 1

Calvary Day2, 3	Strong Rock0, 1
Wesleyan16, 15	Christian Heritage1, 3
Athens Academy6, 13	King's Ridge0, 2
Whitefield Academy9, 9	Heritage-Newnan0, 1
Tattnall Square12, 9	Savannah Country Day0, 6
Mt Paran10, 7	Providence Christian0, 1
Mt Pisgah7, 10, 20	George Walton10, 4, 18
St. Anne-Pacelli3, 2	Paideia2, 1
Trinity Christian12, 5	Landmark Christian1, 3
Fellowship Christian10, 11	Athens Christian4, 3
Hebron Christian9, 14	Darlington3, 11
Savannah Christian2, 14, 11	Deerfield-Windsor6, 2, 0
ELCA10, 6	Brookstone1, 0
Prince Avenue13, 8	St. Francis7, 5
North Cobb Christian9, 4, 12	Holy Innocents'5, 7, 3
First Presbyterian7, 17	Aquinas1, 1

Round 2

Wesleyan16, 10	Calvary Day0, 4
Whitefield Academy7, 13	Athens Academy0, 7
Mt Paran2, 5	Tattnall Square1, 1
St. Anne-Pacelli11, 4	Mt Pisgah3, 0
Fellowship Christian2, 8	Trinity Christian1, 3
Savannah Christian6, 4	Hebron Christian4, 2
Prince Avenue10, 9	ELCA0, 7
North Cobb Christian6, 12, 11	First Presbyterian8, 1, 3

Quarterfinals

Wesleyan18, 9	Whitefield Academy0, 5
Mt Paran8, 8	St. Anne-Pacelli2, 4
Fellowship Christian3, 6, 6	Savannah Christian4, 0, 0
North Cobb Christian2, 6	Prince Avenue0, 1

Semifinals

Wesleyan2, 11, 7	Mt Paran4, 7, 6
North Cobb Christian8, 6	Fellowship Christian6, 0

Final

Wesleyan3, 18	North Cobb Christian0, 3
---------------------	--------------------------------

STATE BASS FISHING TOURNAMENT - 2022

Team Members	School	Fish	Weight
1. Bowynn Brown & Shane Dill	Bainbridge	5/3	16-12
2. Mason Boatright & Lane Kinlaw	Bacon County	5/5	12-08
3. Trent Hammock & Carter Seabrook	Alexander	5/5	12-07
4. Fisher Carver & Jack Reeves	Appling County	5/5	12-03

STATE BASKETBALL PLAYOFFS - 2022

7A - GIRLS

Round 1

Hillgrove 65, Camden County 33
Cherokee 57, Duluth 41
West Forsyth 58, Mountain View 30
Campbell 44, Parkview 24
Tift County 49, North Paulding 41
Norcross 54, Roswell 45
Peachtree Ridge 49, South Forsyth 41
Brookwood 59, East Coweta 52
Grayson 45, McEachern 33
North Forsyth 56, North Gwinnett 27
Woodstock 67, Discovery 20
Harrison 63, Colquitt County 34
Pebblebrook 68, Newton 33
Collins Hill 42, Denmark 40
Archer 64, Etowah 48
Lowndes 65, Marietta 55

Round 2

Cherokee 55, Hillgrove 46
Campbell 56, West Forsyth 42
Norcross 60, Tift County 57
Brookwood 48, Peachtree Ridge 39
Grayson 51, North Forsyth 40
Harrison 55, Woodstock 48
Pebblebrook 61, Collins Hill 42
Archer 48, Lowndes 43

Quarterfinals

Campbell 61, Cherokee 52
Norcross 77, Brookwood 60
Harrison 57, Grayson 49
Archer 74, Pebblebrook 42

Semifinals

Norcross 54, Campbell 51
Harrison 59, Archer 52

Final

Norcross 41, Harrison 37

7A - BOYS

Round 1

Marietta 54, Tift County 50
Milton 68, Meadowcreek 48
Collins Hill 70, North Forsyth 58
Pebblebrook 86, Parkview 82
Hillgrove 46, Camden County 34
Berkmar 61, Etowah 39
Mountain View 57, Denmark 56
Grayson 84, Campbell 44
Newton 62, McEachern 57
West Forsyth 68, Mill Creek 61
Archer 62, Roswell 52
Walton 60, Colquitt County 29
East Coweta 56, S Gwinnett 49
North Gwinnett 52, South Forsyth 24
Norcross 73, Cherokee 46
Lowndes 67, North Paulding 39

Round 2

Milton 69, Marietta 32
Pebblebrook 72, Collins Hill 37
Berkmar 71, Hillgrove 53
Grayson 69, Mountain View 63
Newton 80, West Forsyth 59
Archer 65, Walton 43
North Gwinnett 67, East Coweta 57
Norcross 45, Lowndes 33

Quarterfinals

Pebblebrook 65, Milton 59
Berkmar 62, Grayson 57
Newton 57, Archer 49
Norcross 58, North Gwinnett 55

Semifinals

Berkmar 72, Pebblebrook 58

Norcross 58, Newton 55

Final

Norcross 58, Berkmar 45

6A - GIRLS

Round 1

Rockdale County 58, Valdosta 56
Carrollton 44, Creekview 30
Buford 57, Osborne 49
Brunswick 70, Lakeside-DeKalb 33
Lee County 68, Lakeside-Evans 31
River Ridge 60, Dalton 31
Sprayberry 73, Habersham Central 43
Lovejoy 80, Glynn Academy 32
Hughes 59, Statesboro 53
Kell 62, Winder-Barrow 36
Rome 60, Cambridge 59
Grovetown 58, Northside-WR 37
Bradwell Institute 72, Westlake 64
Dacula 47, Pope 46
Sequoyah 56, East Paulding 35
Houston County 50, Heritage-Conyers 32

Round 2

Rockdale County 59, Carrollton 55
Brunswick 68, Buford 55
River Ridge 71, Lee County 34
Lovejoy 69, Sprayberry 53
Kell 57, Hughes 50
Rome 60, Grovetown 42
Bradwell Institution 53, Dacula 45
Sequoyah 49, Houston County 39

Quarterfinals

Rockdale County 64, Brunswick 56
Lovejoy 71, River Ridge 59
Kell 67, Rome 55
Sequoyah 53, Bradwell Institution 44

Semifinals

Lovejoy 71, Rockdale County 56
Sequoyah 40, Kell 38

Final

Lovejoy 54, Sequoyah 38

6A - BOYS

Round 1

Evans 64, Houston County 56
Carrollton 48, Centennial 45
Buford 60, Pope 49
Statesboro 58, North Atlanta 44
Rockdale County 64, Lee County 54
Sequoyah 135, Paulding County 112
Kell 81, Habersham Central 66
Tucker 78, Bradwell Institution 55
Westlake 62, Glynn Academy 60
Wheeler 88, Winder-Barrow 59
Alexander 65, Chattahoochee 57
Grovetown 93, Northside-WR 37
Hughes 51, Effingham County 44
Osborne 51, Shiloh 50
River Ridge 55, Rome 44
Valdosta 58, Heritage-Conyers 50

Round 2

Carrollton 76, Evans 72
Buford 62, Statesboro 51
Sequoyah 84, Rockdale County 75
Kell 76, Tucker 61

Wheeler 63, Westlake 62
Grovetown 78, Alexander 54
Hughes 57, Osborne 53
River Ridge 72, Valdosta 54

Quarterfinals

Buford 62, Carrollton 54
Sequoyah 71, Kell 70

Grovetown 82, Wheeler 76
Hughes 53, River Ridge 51

Semifinals

Buford 73, Sequoyah 72
Grovetown 68, Hughes 63

Final

Grovetown 66, Buford 59

5A - GIRLS

Round 1

Forest Park 55, Wayne County 20
SW DeKalb 33, Blessed Trinity 21
Loganville 62, Villa Rica 58
Griffin 46, Jones County 31
Ware County 45, Jonesboro 34
Hiram 74, Stone Mountain 48
New Manchester 48, Walnut Grove 39
Northside-Col. 53, Union Grove 42
Harris County 54, Eagles Landing 38
Jackson-Atlanta 52, Jackson County 22
Calhoun 56, Decatur 37
Woodward Academy 77, Coffee 35
Stockbridge 44, McIntosh 42
Greenbrier 51, Lithia Springs 35
St. Pius X 55, Cass 52
Warner Robins 77, Tri-Cities 44

Round 2

Forest Park 59, SW DeKalb 32
Loganville 54, Griffin 52
Hiram 52, Ware County 35
New Manchester 38, Northside-Col. 36
Jackson-Atlanta 57, Harris County 39
Woodward Academy 79, Calhoun 46
Greenbrier 39, Stockbridge 38
Warner Robins 63, St. Pius X 48

Quarterfinals

Forest Park 52, Loganville 40
New Manchester 41, Hiram 33
Woodward Academy 84, Jackson-Atl. 58
Warner Robins 63, Greenbrier 56

Semifinals

Forest Park 60, New Manchester 38
Woodward Academy 67, Warner Robins 35

Final

Woodward Academy 72, Forest Park 44

5A - BOYS

Round 1

Jonesboro 80, Wayne County 60
St. Pius X 65, Blessed Trinity 53
Loganville 72, Jackson-Atlanta 59
Dutchtown 57, Northside-Columbus 56
Warner Robins 47, Woodward Academy 34
Hiram 57, SW DeKalb 38
Walnut Grove 50, Midtown 47
Eagles Landing 37, McIntosh 26
Griffin 64, Union Grove 54
Chapel Hill 67, Greenbrier 44
Lithonia 67, Cartersville 61
Tri-Cities 78, Coffee 56
Woodland-Henry 55, Harris County 42
New Manchester 52, Clarke Central 47
Calhoun 62, Decatur 44
Veterans 57, Mundy's Mill 51

Round 2

Jonesboro 65, St. Pius X 64
Loganville 60, Dutchtown 37
Hiram 69, Warner Robins 63
Eagles Landing 62, Walnut Grove 52
Chapel Hill 77, Griffin 54
Tri-Cities 60, Lithonia 59
Woodland-Henry 59, New Manchester 49

STATE BASKETBALL PLAYOFFS - 2022

Calhoun 78, Veterans 61

Quarterfinals

Jonesboro 67, Loganville 61
Eagles Landing 70, Hiram 54
Tri-Cities 86, Chapel Hill 81
Calhoun 66, Woodland-Henry 56

Semifinals

Eagles Landing 67, Jonesboro 60
Tri-Cities 71, Calhoun 68

Final

Tri-Cities 67, Eagles Landing 59

4A - GIRLS

Round 1

Thomas Co. Central 54, Islands 49
Luella 90, Central-Carroll 25
Chestatee 45, Arabia Mountain 41
Carver-Columbus 81, Perry 25
Bainbridge 73, Jenkins 25
NW Whitfield 60, Mt Zion-Jonesboro 18
Stephenson 45, Cedar Shoals 40
Baldwin 69, Shaw 30
Hardaway 68, West Laurens 56
Marist 47, North Oconee 28
Heritage-Catoosa 44, Fayette County 39
Monroe 53, New Hampstead 32
Troup 69, Spalding 47
Jefferson 57, Mays 35
Pickens 83, Riverdale 44
Dougherty, Bye

Round 2

Luella 71, Thomas Co. Central 42
Carver-Columbus 62, Chestatee 36
NW Whitfield 45, Bainbridge 34
Baldwin 71, Stephenson 63
Marist 31, Hardaway 19
Heritage-Catoosa 49, Monroe 47
Jefferson 63, Troup 47
Pickens 48, Dougherty 44

Quarterfinals

Luella 78, Carver-Columbus 61
Baldwin 57, NW Whitfield 46
Marist 36, Heritage-Catoosa 16
Pickens 51, Jefferson 50

Semifinals

Luella 63, Baldwin 53
Marist 38, Pickens 35

Final

Marist 56, Luella 54 (2 ot)

4A - BOYS

Round 1

Dougherty 68, New Hampstead 62
Fayette County 77, SE Whitfield 62
North Oconee 49, Mays 44
Spencer 81, Spalding 42
Monroe 57, Jenkins 51
Central-Carroll 54, Hampton 28
Marist 63, Cedar Shoals 58
Baldwin 69, Shaw 54
Perry 74, Hardaway 61
Druid Hills 60, Chestatee 43
McDonough 79, Pickens 40
Benedictine 69, Cairo 52
Westside-Macon 69, LaGrange 61
Jefferson 72, Hapeville 48
Luella 64, NW Whitfield 61
Westover 90, Islands 40

Round 2

Dougherty 66, Fayette County 65
Spencer 62, North Oconee 35

Monroe 72, Central-Carroll 57
Marist 60, Baldwin 40
Druid Hills 72, Perry 4
McDonough 69, Benedictine 42
Jefferson 64, Westside-Macon 62
Westover 65, Luella 57

Quarterfinals

Spencer 56, Dougherty 34
Marist 56, Monroe 47
McDonough 53, Druid Hills 48
Westover 63, Jefferson 55

Semifinals

Spencer 44, Marist 36
Westover 42, McDonough 39

Final

Spencer 62, Westover 42

3A - GIRLS

Round 1

Liberty County 47, Long County 32
Westminster 52, Dawson County 31
Oconee County 44, Sonorville 28
Sumter County 45, Morgan County 24
Tattnall County 36, Beach 35
Lumpkin County 84, Redan 51
Murray County 46, Franklin County 43
Cross Creek 69, Mary Persons 34
Thomson 49, Peach County 28
Lakeview-Ft. Oglethorpe 56, Hart County 45
GACS 61, White County 42
Johnson-Sav. 68, Brantley County 28
Central Macon 55, Burke County 40
Ringgold 45, East Jackson 43
East Forsyth 48, Cedar Grove 22
Pierce Co. 57, Savannah 23

Round 2

Westminster 72, Liberty County 33
Sumter County 47, Oconee County 30
Lumpkin County 90, Tattnall County 30
Cross Creek 52, Murray County 31
Lakeview-Ft Ogl 61, Thomson 47
GACS 67, Johnson-Savannah 44
Central Macon 44, Ringgold 28
Pierce County 68, East Forsyth 51

Quarterfinals

Westminster 49, Sumter County 36
Lumpkin Co 49, Cross Creek 39
GACS 67, Lakeview-Ft. Oglethorpe 60
Pierce County 56, Central Macon 34

Semifinals

Lumpkin County 64, Westminster 42
GACS 66, Pierce County 46

Final

Lumpkin County 51, GACS 47

3A - BOYS

Round 1

Windsor Forest 69, Pierce County 39
Sandy Creek 75, Gilmer 35
Lakeview-Ft. Oglethorpe 69, Franklin Co. 57
Sumter County 76, Hephzibah 54
Johnson-Savannah 57, Tattnall County 34
Redan 72, North Hall 69
Hart County 57, Adairsville 49
Thomson 75, Crisp County 51
Cross Creek 75, Upson-Lee 45
LaFayette 65, Oconee County 59
GACS 88, East Forsyth 41
Groves 70, Brantley County 33
Burke County 67, Peach County 66
Ringgold 62, Monroe Area 59
White County 62, Salem 58

Beach 64, Long County 58

Round 2

Windsor Forest 47, Sandy Creek 37
Sumter County 52, Lakeview-Ft. Ogl. 41
Johnson-Savannah 52, Redan 46
Thomson 69, Hart County 44
Cross Creek 50, LaFayette 47
Groves 54, GACS 44
Burke County 70, Ringgold 53
Beach 57, White County 52

Quarterfinals

Windsor Forest 47, Sumter County 41
Thomson 79, Johnson-Savannah 66
Cross Creek 55, Groves 46
Beach 56, Burke County 52

Semifinals

Windsor Forest 60, Thomson 53
Cross Creek 52, Beach 44

Final

Cross Creek 60, Windsor Forest 53

2A - GIRLS

Round 1

Dodge County 62, Fitzgerald 59
Callaway 66, Gordon Cent. 35
Elbert County 56, South Atlanta 33
Swainsboro 62, Butler 36
Washington County 78, Early County 27
Fannin County 66, Temple 34
Banks County, Pace Academy 26
Josey 72, Jeff Davis 20
Laney 75, Vidalia 61
Union County 54, Columbia 49
Heard County 41, Model 35
Northeast 78, Berrien 30
Woodville-Tompkins 65, Oglethorpe Co. 64
Rabun County 63, Lovett 32
Chattooga 60, Haralson County 37
Lamar County 66, Thomasville 56

Round 2

Callaway 42, Dodge County 41
Elbert County 53, Swainsboro 32
Fannin County 52, Washington County 36
Josey 41, Banks County 29
Laney 81, Union County 58
Northeast 71, Heard County 45
Rabun County 54, Woodville-Tompkins 44
Chattooga 54, Lamar County 48

Quarterfinals

Elbert County 73, Callaway 43
Josey 61, Fannin County 53
Northeast 85, Laney 52
Rabun County 73, Chattooga 39

Semifinals

Elbert County 56, Josey 40
Rabun County 50, Northeast 39

Final

Elbert County 52, Rabun County 45

2A - BOYS

Round 1

Northeast 87, Berrien 62
Coosa 52, Callaway 48
Lovett 75, Union County 62
Vidalia 85, Glenn Hills 57
Early County 72, Dodge County 63
Chattooga 74, Bremen 72
Columbia 81, Banks County 47
Westside-Augusta 71, Jeff Davis 39
Butler 57, Toombs County 42

STATE BASKETBALL PLAYOFFS - 2022

Pace Academy 88, Elbert County 37
Heard County 64, Dade County 60
Washington County 50, Cook 25
Woodville-Tompkins 60, Putnam County 57
Rabun County 67, Terrell 55
Model 68, Temple 44
Thomasville 66, Jasper County 44

Round 2

Northeast 72, Coosa 57
Vidalia 93, Lovett 68
Early County 70, Chattooga 68
Westside-Augusta 82, Columbia 72
Butler 60, Pace Academy 56
Washington County 49, Heard County 25
Woodville-Tompkins 72, Rabun County 63
Model 69, Thomasville 53

Quarterfinals

Northeast 67, Vidalia 53
Westside-Augusta 77, Early County 36
Butler 51, Washington County 41
Woodville-Tompkins 54, Model 51

Semifinals

Westside-Augusta 73, Northeast 55
Butler 66, Woodville-Tompkins 45

Final

Westside-Augusta 64, Butler 55

A - GIRLS (Public)

Round 1

Pelham 54, Claxton 20
Schley County 62, Warren County 20
Commerce 49, Armuchee 34
Clinch County 49, Wilcox County 43
Bryan County 57, Terrell County 42
Hancock Central 59, Chattahoochee Co. 33
Trion 55, Social Circle 42
Montgomery County 63, Brooks County 26
Dublin 57, Turner County 53
Mt Zion-Carroll 63, Towns County 43
Taylor County 63, Wilkinson County 53
Screven County 60, Randolph-Clay 32
Charlton County 60, Telfair County 46
Lake Oconee Acad. 66, Gordon Lee 37
Central-Talbotton 58, ACE Charter 45
Seminole County 47, Jenkins County 39

Round 2

Pelham 44, Schley County 38
Commerce 47, Clinch County 33
Hancock Central 56, Bryan County 48
Montgomery County 52, Trion 36
Dublin 42, Mt Zion-Carroll 36
Taylor County 57, Screven County 53
Lake Oconee Acad. 61, Charlton County 40
Seminole County 53, Central-Talbotton 47

Quarterfinals

Commerce 37, Pelham 34
Hancock Central 58, Montgomery County 56
Taylor County 54, Dublin 42
Lake Oconee Acad. 63, Seminole County 60

Semifinals

Hancock Central 50, Commerce 35
Lake Oconee Acad. 58, Taylor County 30

Final

Lake Oconee Acad. 45, Hancock Central 30

A - GIRLS (Private)

Round 1

Calvary Day 69, Tattnall Square 44
Holy Innocents' 94, Walker 14
Lakeview Academy 48, Prince Avenue 44
Landmark Christ. 2, St. Anne-Pacelli (F) 0
Deerfield-Windsor 67, St. Vincents 23
Mt Paran 66, Wesleyan 37
Fellowship Christian 44, George Walton 35
Trinity Christian 64, Paideia 19
Brookstone 53, Greenforest 51
St. Francis 57, Athens Academy 34
Hebron Christian 69, Darlington 34
Savannah Cty. Day 35, First Presbyterian 22
Heritage-Newnan 40, ELCA 35
Tallulah Falls 55, Mt Pisgah 31
Galloway 63, North Cobb Christian 42
Stratford Academy 47, Aquinas 25

Round 2

Holy Innocents' 74, Calvary Day 38
Landmark Christian 82, Lakeview Acad. 47
Mt Paran 66, Deerfield-Windsor 30
Trinity Christian 62, Fellowship Christian 22
St. Francis 80, Brookstone 39
Hebron Christian 59, Savannah Cty. Day 41
Tallulah Falls 51, Heritage-Newnan 26
Galloway 48, Stratford Academy 35

Quarterfinals

Holy Innocents' 66, Landmark Christian 39
Mt Paran 48, Trinity Christian 21
Hebron Christian 53, St. Francis 51
Galloway 55, Tallulah Falls 43

Semifinals

Mt Paran 53, Holy Innocents' 50
Hebron Christian 49, Galloway 47

Final

Mt Paran 54, Hebron Christian 49

A - BOYS (Public)

Round 1

Jenkins County 66, Seminole County 55
Manchester 68, Georgia Military 38
Towns County 76, Bowdon 51
Charlton County 46, Wilcox County 34
Mitchell County 71, Bryan County 46
Warren County 79, Taylor County 52
Commerce 68, Fulton Leadership 67
Dublin 72, Turner County 53
Dooly County 71, Lanier County 62
Drew Charter 61, Washington-Wilkes 43
Wilkinson County 50, Chatt. County 45
Portal 63, Quitman County 44
Clinch County 68, Wheeler County 61
Social Circle 114, Atlanta Classical 36
Macon County 71, Hancock Central 58
Calhoun County 101, Metter 58

Round 2

Manchester 54, Jenkins County 52
Towns County 58, Charlton County 51

Warren County 74, Mitchell County 52
Dublin 70, Commerce 41
Drew Charter 64, Dooly County 60
Wilkinson County 55, Portal 54
Social Circle 107, Clinch County 25
Calhoun County 97, Macon County 65

Quarterfinals

Manchester 64, Towns County 45
Warren County 61, Dublin 60
Drew Charter 52, Wilkinson County 49
Social Circle 88, Calhoun County 77

Semifinals

Warren County 49, Manchester 48
Drew Charter 70, Social Circle 66

Final

Drew Charter 51, Warren County 50

A - BOYS (Private)

Round 1

Deerfield-Windsor 71, Aquinas 56
Galloway 59, Walker 57
Tallulah Falls 59, Mt Bethel 39
Greenforest 87, Brookstone 34
Stratford Acad. 68, Savannah Cty. Day 63
N. Cobb Christian 68, Hebron Christian 58
George Walton 68, Mt Pisgah 63
Heritage-Newnan 60, SW Atlanta Christ. 46
St. Anne-Pacelli 62, ELCA 61
King's Ridge 69, Athens Christian 57
Providence Christian 72, Darlington 54
Calvary Day 47, Tattnall Square 44
Paideia 47, Trinity Christian 42
St. Francis 57, Prince Avenue 52
Mt Vernon 56, Christian Heritage 51
First Presbyterian 59, Savannah Christian 51

Round 2

Galloway 80, Deerfield-Windsor 57
Greenforest 80, Tallulah Falls 34
N. Cobb Christian 83, Stratford Academy 46
Heritage-Newnan 42, George Walton 36
King's Ridge 70, St. Anne-Pacelli 61
Calvary Day 68, Providence Christian 61
St. Francis 55, Paideia 52
First Presbyterian 68, Mt. Vernon 58

Quarterfinals

Greenforest Christian 61, Galloway 43
Heritage-Newnan 52, N Cobb Christian 51
King's Ridge 62, Calvary Day 47
First Presb 64, St. Francis 53

Semifinals

Greenforest 69, Heritage-Newnan 40
King's Ridge 59, First Presbyterian 57

Final

Greenforest 61, King's Ridge 52

AAASP Championship

Houston County 32, DeKalb County 13

STATE CROSS COUNTRY MEET - 2021-22

Boys - 7A

1. Ethan Ashley.....	Denmark.....	15:45.78
2. James May.....	Marietta.....	16:09.41
3. Ethan Nordman.....	Mill Creek.....	16:11.45
4. Caden Hall.....	Parkview.....	16:17.70

Team Scores

1. Mill Creek.....	102
2. Marietta.....	104
3. Denmark.....	127
4. West Forsyth.....	137

Boys - 6A

1. Nathan Solomon.....	Shiloh.....	15:55.97
2. Bryson Gates.....	Creekview.....	15:56.24
3. Ryan McKee.....	Kennesaw Mountain.....	16:21.10
4. Noah Sybert.....	Richmond Hill.....	16:25.82

Team Scores

1. Richmon Hill.....	105
2. Alexander.....	168
3. North Atlanta.....	208
4. Sequoyah.....	216

Boys - 5A

1. Christian Gonzalez.....	Decatur.....	15:56.91
2. Ben Rothering.....	Blessed Trinity.....	16:19.60
3. William Carlton.....	Decatur.....	16:25.68
4. Zack Burke.....	Blessed Trinity.....	16:25.71

Team Scores

1. Decatur.....	46
2. St. Pius.....	77
3. Blessed Trinity.....	97
4. Starr's Mill.....	139

Boys - 4A

1. Sage Walker.....	Druid Hills.....	16:34.63
2. Garrett Grater.....	Chestatee.....	16:41.67
3. Tommy Latham.....	Marist.....	16:50.26
4. Gavin Grater.....	Chestatee.....	16:53.55

Team Scores

1. Chestatee.....	38
2. Marist.....	46
3. Jefferson.....	95
4. Pickens.....	146

Boys - 3A

1. Matthew Fernando.....	Westminster.....	15:59.05
2. Alex Arrambide.....	East Forsyth.....	16:40.97
3. Stephen Clark.....	West Hall.....	16:51.37
4. Joseph Jacquot.....	Westminster.....	17:01.53

Team Scores

1. Westminster.....	19
2. Greater Atlanta Christian.....	125
3. Hart County.....	152
4. Oconee County.....	160

Boys - 2A

1. Edward Blaha.....	Pace Academy.....	16:09.62
2. Buck Ledford.....	Banks County.....	16:24.58
3. Luke Churchwell.....	Bleckley County.....	16:48.18
4. George Blaha.....	Pace Academy.....	16:48.77

Team Scores

1. Pace Academy.....	28
2. Lovett.....	76
3. Bleckley County.....	161
4. Jeff Davis.....	173

Boys - 1A Private

1. Joe Sapone.....	Holy Innocents'.....	16:22.25
2. Peyton Golden.....	Whitefield Academy.....	16:26.42
3. Evan Prince.....	Tallahul Falls.....	16:35.07
4. Jackson Scruggs.....	Athens Academy.....	16:55.37

Team Scores

1. Whitefield Academy.....	60
2. Holy Innocents'.....	105
3. Paideia.....	127
4. Athens Academy.....	163

Boys - 1A Public

1. Trace Harris.....	Armuchee.....	17:47.68
2. Nathan Hallar.....	ACE Charter.....	18:07.79
3. Liam Corbally.....	Atlanta Classical.....	18:25.77
4. Eli Hutchins.....	Trion.....	18:34.65

Team Scores

1. Armuchee.....	37
2. ACE Charter.....	69
3. Barrow Academy.....	105
4. Commerce.....	154

Girls - 7A

1. Samantha McGarity.....	Harrison.....	18:39.48
2. Carmel Yonas.....	South Forsyth.....	19:20.71
3. Emma Geaney.....	Parkview.....	19:23.33
4. Farrah Frith.....	Milton.....	19:40.25

Team Scores

1. Marietta.....	107
2. Harrison.....	116
3. Hillgrove.....	128
4. Milton.....	197

Girls - 6A

1. Simone Rojas.....	Evans.....	18:55.33
2. Clara Heppner.....	North Atlanta.....	19:05.95
3. Catherine Townsend.....	North Atlanta.....	19:07.35
4. Lorel Golden.....	Pope.....	19:24.17

Team Scores

1. North Atlanta.....	70
2. Cambridge.....	72
3. Pope.....	117
4. Lakeside-DeKalb.....	199

Girls - 5A

1. Grace Von Biberstein.....	St. Pius.....	18:56.64
2. Katie Hamfeldt.....	Blessed Trinity.....	19:14.53
3. Hannah Schemmel.....	St. Pius.....	19:24.83
4. Jamie Marlowe.....	Midtown.....	19:26.61

Team Scores

1. St. Pius.....	36
2. Blessed Trinity.....	81
3. Midtown.....	112
4. Decatur.....	118

Girls - 4A

1. Ruby Little.....	Marist.....	18:54.24
2. Johna Grisik.....	Marist.....	19:40.66
3. Nicole Pizzo.....	Marist.....	19:45.21
4. Kate Selover.....	Marist.....	19:49.33

Team Scores

1. Marist.....	17
2. Jefferson.....	101
3. Central-Carroll.....	116
4. Flowery Branch.....	140

Girls - 3A

1. Palmer Walstad.....	Westminster.....	19:22.64
2. Janie Cooper.....	Westminster.....	19:55.57
3. Margaret Wade.....	Savannah Arts Academy.....	20:01.51
4. Clodagh O'Bryant.....	North Hall.....	20:04.90

Team Scores

1. Westminster.....	43
2. Savannah Arts.....	61
3. Oconee County.....	96
4. Mary Persons.....	117

Girls - 2A

1. Caroline Hood.....	Pace Academy.....	19:09.32
2. Laura Arenth.....	Pace Academy.....	19:38.94
3. Mary Parrish Green.....	Lovett.....	19:47.06
4. Sophia Cook.....	Coosa.....	19:59.53

Team Scores

1. Pace Academy.....	27
2. Lovett.....	61
3. Bleckley County.....	107
4. Oglethorpe County.....	169

Girls - 1A Private

1. Joyce Cara.....	Atlanta International.....	19:18.89
2. Ellie Brewer.....	Hebron Christian.....	19:30.81
3. Brooke Browning.....	Hebron Christian.....	19:59.94
4. Shari Brown.....	Landmark Christian.....	20:17.07

Team Scores

1. Wesleyan.....	96
2. Landmark Christian.....	122
3. Paideia.....	148
4. Holy Innocents'.....	154

Girls - 1A Public

1. Marissa Kimple.....	Armuchee.....	20:03.77
2. Shelby Green.....	Armuchee.....	20:48.77
3. Jada Warren.....	Georgia Military.....	21:42.18
4. Paden Bell.....	Commerce.....	21:53.17

Team Scores

1. Armuchee.....	67
2. Barrow Academy.....	75
3. ACE Charter.....	105
4. Atlanta Classical.....	142

STATE COMPETITIVE CHEERLEADING - 2021-22

7A

1. South Forsyth.....105.0
2. Mill Creek.....101.5
3. Hillgrove.....99.5
4. North Paulding.....99.0

6A

1. Creekview.....103.5
2. Buford.....101.5
3. Houston County.....100.0
4. Carrollton.....96.0

5A

1. McIntosh.....103.5
2. Whitewater.....97.5
3. Greenbrier.....97.0
4. Cartersville.....95.5

4A

1. Jefferson.....98.0
2. Columbus.....95.0
3. West Laurens.....94.0
4. Heritage-Catoosa.....93.5

3A

1. Dawson County.....93.0
2. Pierce County.....87.5
3. Mary Persons.....86.5
4. Morgan County.....83.0

2A

1. Bleckley County.....92.5
2. Vidalia.....92.0
3. Bacon County.....92.0
4. Dodge County.....82.5

A (Public)

1. Gordon Lee.....90.0
2. Commerce.....84.5
3. Armuchee.....84.5
4. Lake Oconee Academy.....79.5

A (Private)

1. Mt. Paran.....105.0
2. Savannah Christian.....93.5
3. Fellowship Christian.....81.5
4. Brookstone.....80.5

CO-ED

1. Northgate.....105.0
2. Forsyth Central.....100.5
3. Chapel Hill.....97.0
4. Peachtree Ridge.....94.5

GAME DAY STATE WINNERS - 2021-22

7A

1. North Gwinnett.....97.28
2. South Forsyth.....94.30
3. Milton.....94.08
4. West Forsyth.....91.35

5A-6A

1. Lee County.....94.00
2. Lanier.....93.35
3. South Effingham.....92.15
4. Calhoun.....89.45

3A-4A

1. Mary Persons.....89.70
2. Morgan County.....88.75
3. Heritage-Catoosa.....87.30
4. North Oconee.....86.15

A-2A

1. Vidalia.....90.25
2. Commerce.....88.98
3. Jeff Davis.....87.95
4. Schley County.....86.70

DANCE

1. Mill Creek.....88.00
2. Tri-Cities.....84.08
3. South Forsyth.....82.53
4. McIntosh.....82.30

DANCE STATE WINNERS - 2021-22

A-2A

1. Stilwell Arts (Jazz).....98.25
2. Thomasville (Kick).....92.05
3. King's Ridge (HHop).80.15
4. KIPP Atlanta (HHop).80.08

3A-4A

1. West Laurens (Pom)...93.30
2. Heritage-Cat. (Pom)...91.98
3. Ringgold (Pom).....90.80
4. Cairo (HHop).....90.10

5A-6A

1. Starr's Mill (Pom).....98.35
2. Westlake (HHop).....97.45
3. McIntosh (Pom).....96.13
4. Dutchtown (HHop)...95.10

7A

1. Mill Creek (Jazz).....99.68
2. S. Forsyth (HHop).....97.40
3. Etowah (Pom).....94.68
4. P'tree Ridge (Jazz).....92.90

STATE GIRLS GYMNASTICS - 2022

Class 6A-7A

Team Results

1. Buford.....113.900
2. Carrollton.....111.200
3. Newnan.....109.975
4. Forsyth Central.....105.975

Individual Results

All Around

1. Marisa Ashton, Buford (38.975)
2. Mikayla Burton, Newnan (38.225)
3. Katie Andrews, Forsyth Central (37.400)
4. Molly English, Newnan (37.100)

Uneven Parallel Bars

1. Marisa Ashton, Buford (9.700)
2. Mikayla Burton, Newnan (9.450)
3. Molly English, Newnan (9.400)
4. Hayden Taylor, Tift County (9.300)

Vault

1. Marisa Ashton, Buford (9.800)
2. Katie Andrews, Forsyth Central (9.600)
3. Kendall New, Carrollton (9.500)
3. Mikayla Burton, Newnan (9.500)

Balance Beam

1. Mikayla Burton, Newnan (9.975)
2. Marisa Ashton, Buford (9.825)
3. Kalani Witherspoon, Carrollton (9.700)
4. Hayden Taylor, Tift County (9.175)

Floor Exercise

1. Kalani Witherspoon, Carrollton (9.900)
2. Bella Rae Newby, Buford (9.750)
3. Lily Black, Buford (9.700)
4. Marisa Ashton, Buford (9.650)

Class A-5A

Team Results

1. North Oconee.....113.800
2. Bremen.....103.075
3. Westminster.....102.825
4. East Forsyth.....97.700

Individual Results

All Around

1. Madelynn Crow, Pike County (39.700)
2. Brantley Lucas, North Oconee (37.875)
3. Chloe McDonald, North Oconee (37.600)
4. Katelynne Tatum, East Forsyth (37.500)

Uneven Parallel Bars

1. Madelynn Crow, Pike County (9.700)
2. Gabby Nguyen, North Oconee (9.250)
3. Chloe McDonald, North Oconee (9.250)
4. Katelynne Tatum, East Forsyth (9.175)

Vault

1. Madelynn Crow, Pike County (10.000)
2. Gabby Nguyen, North Oconee (9.800)
3. Chloe McDonald, North Oconee (9.750)
4. Katelynne Tatum, East Forsyth (9.700)

Balance Beam

1. Madelynn Crow, Pike County (10.000)
2. Emory Shepherd, North Oconee (9.600)
2. Brantley Lucas, North Oconee (9.400)
4. Katelynne Tatum, East Forsyth (9.250)

Floor Exercise

1. Madelynn Crow, Pike County (10.000)
2. Brantley Lucas, North Oconee (9.750)
3. Chloe McDonald, North Oconee (9.575)
4. Kate Stetter, North Oconee (9.525)

FOOTBALL STANDINGS - 2021

<u>CLASS 7A - Region 1</u>		REGION W L	ALL W L	<u>5-6A</u>		REGION W L	ALL W L	<u>7-5A</u>	
Lowndes	3-0	8-2	Rome	6-1	8-2	Chapel Hill	1-4	2-8	
Colquitt County	2-1	8-2	South Paulding	6-1	8-2	North Springs	0-5	1-9	
Tift County	1-2	6-4	Carrollton	6-1	9-1				
Camden County	0-3	4-6	Douglas County	4-3	7-3	Cartersville	5-0	9-0	
			Alexander	3-4	5-4	Calhoun	4-1	8-2	
<u>2-7A</u>			Dalton	1-6	2-8	Blessed Trinity	3-2	6-4	
McEachern	4-0	6-4	East Paulding	1-6	2-8	Cass	2-3	5-5	
Pebblebrook	3-1	8-1-1	Paulding County	1-6	3-7	Hiram	1-4	1-9	
East Coweta	2-2	7-3				Woodland-Bartow	0-5	1-9	
Newnan	1-3	3-6	<u>6-6A</u>						
Campbell	0-4	3-6	Kennesaw Mountain	7-1	9-1	<u>8-5A</u>			
			Allatoona	6-1	6-3	Clarke Central	7-0	8-2	
<u>3-7A</u>			Pope	6-2	7-3	Apalachee	5-2	5-5	
North Cobb	5-0	9-1	Kell	5-3	6-4	Eastside	5-2	7-3	
Marietta	3-2	6-4	Lassiter	4-4	4-6	Greenbrier	3-4	4-6	
Walton	3-2	6-3	Sprayberry	3-5	3-6	Loganville	3-4	4-6	
Harrison	2-3	4-6	South Cobb	3-5	4-6	Jackson County	3-4	5-5	
Hillgrove	1-4	2-8	Wheeler	1-7	1-9	Walnut Grove	2-5	3-7	
North Paulding	1-4	4-6	Osborne	0-7	1-8	Johnson-Gainesville	0-7	0-10	
<u>4-7A</u>			<u>7-6A</u>			<u>CLASS 4A - Region 1</u>			
Brookwood	4-0	8-2	Cambridge	6-1	8-1	Bainbridge	5-0	7-3	
Grayson	3-1	7-3	Riverwood	6-1	9-1	Cairo	4-1	6-3	
Newton	1-3	4-5	Johns Creek	5-2	7-3	Thomas Co. Central	2-2	5-4	
Parkview	1-3	4-6	Creekview	5-2	8-2	Dougherty	2-2	7-2	
South Gwinnett	1-3	5-5	River Ridge	3-4	6-4	Monroe	1-4	3-7	
			Sequoyah	2-5	4-5-1	Westover	0-5	2-8	
<u>5-7A</u>			Centennial	1-6	1-9				
Milton	5-0	9-1	Chattahoochee	0-7	1-9	<u>2-4A</u>			
Roswell	4-1	8-2				Carver-Columbus	8-0	9-1	
Cherokee	3-2	4-5-1	<u>8-6A</u>			Troup	7-1	8-2	
Alpharetta	2-3	3-7	Buford	6-0	9-1	LaGrange	6-2	8-2	
Etowah	1-4	1-9	Dacula	5-1	6-4	Hardaway	5-3	6-4	
Woodstock	0-5	0-10	Shiloh	4-2	4-6	Columbus	4-4	4-6	
			Lanier	3-3	4-5	Shaw	3-5	3-7	
<u>6-7A</u>			Winder-Barrow	2-4	4-6	Spencer	2-6	3-7	
Denmark	5-1	7-2	Habersham Central	1-5	3-7	Kendrick	1-7	1-9	
South Forsyth	5-1	8-2	Central Gwinnett	0-6	1-9	Jordan	0-8	0-10	
North Forsyth	3-3	6-4							
West Forsyth	3-3	5-5	<u>CLASS 5A - Region 1</u>			<u>3-4A</u>			
Lambert	3-3	7-3	Ware County	4-0	8-1	Benedictine	3-0	8-2	
Gainesville	2-4	5-5	Warner Robins	3-1	9-1	Jenkins	2-1	5-4	
Forsyth Central	0-6	2-8	Coffee	2-2	8-2	New Hampstead	1-2	7-3	
			Veterans	1-3	2-8	Islands	0-3	4-5	
<u>7-7A</u>			Wayne County	0-4	0-9				
Archer	6-0	6-4				<u>4-4A</u>			
Norcross	5-1	7-3	<u>2-5A</u>			Baldwin	5-1	6-3	
Meadowcreek	4-2	5-5	Whitewater	6-0	9-1	Perry	5-1	9-1	
Duluth	3-3	5-5	Starr's Mill	5-1	7-3	Spalding	4-1	7-2	
Dunwoody	2-4	3-7	Harris County	4-2	6-4	West Laurens	3-3	5-5	
Discovery	1-5	1-9	Griffin	3-3	4-5	Westside-Macon	2-4	4-6	
Berkmar	0-6	0-10	McIntosh	1-5	2-8	Howard	1-5	3-7	
			Northgate	1-5	2-8	Rutland	0-5	1-8	
<u>8-7A</u>			Northside-Columbus	1-5	4-5				
Collins Hill	4-0	10-0				<u>5-4A</u>			
Mill Creek	3-1	9-1	<u>3-5A</u>			Riverdale	6-0	8-0-1	
North Gwinnett	2-2	5-5	Woodward	7-0	10-0	Luella	5-1	7-3	
Mountain View	1-3	4-6	Creekside	6-1	8-2	Fayette County	4-2	5-4	
Peachtree Ridge	0-4	3-7	Jonesboro	5-2	7-3	Hampton	3-3	3-5	
			Mundy's Mill	3-4	3-6	McDonough	2-4	5-5	
<u>CLASS 6A - Region 1</u>			Banneker	3-4	4-6	North Clayton	1-5	1-9	
Lee County	3-0	9-1	Drew	2-5	3-7	Mt. Zion-Jonesboro	0-6	0-9	
Northside-WR	2-1	7-3	Tri-Cities	1-6	2-8				
Valdosta	1-2	4-6	Forest Park	1-6	3-7	<u>6-4A</u>			
Houston County	0-3	4-6				Marist	5-0	8-1	
			<u>4-5A</u>			Mays	4-1	4-5	
<u>2-6A</u>			Jones County	7-0	8-2	Hapeville	3-2	5-5	
Brunswick	6-0	10-0	Dutchtown	6-1	7-3	Arabia Mountain	1-4	4-6	
Richmond Hill	4-2	4-5	Ola	4-3	5-5	Miller Grove	1-4	3-7	
Effingham County	4-2	6-3	Union Grove	4-3	6-4	Stephenson	1-4	5-4	
Glynn Academy	3-3	4-5-1	Woodland-Henry	3-4	4-6	#Druid Hills	0-0	1-9	
Statesboro	3-3	5-5	Stockbridge	3-4	5-5				
South Effingham	1-5	2-8	Eagle's Landing	1-6	3-7	<u>7-4A</u>			
Bradwell Institute	0-6	0-9	Locust Grove	0-7	0-10	Cedartown	5-0	8-1	
						Northwest Whitfield	5-1	7-3	
<u>3-6A</u>			<u>5-5A</u>			Heritage-Catoosa	3-2	6-3	
Alcovy	5-0	5-4	St. Pius X	6-0	8-2	Central-Carroll	2-3	5-5	
Evans	4-1	8-2	Southwest DeKalb	5-1	6-4	Pickens	1-4	4-5	
Lakeside-Evans	3-2	4-6	Decatur	4-2	8-2	Southeast Whitfield	0-1	2-8	
Grovetown	2-3	3-7	Lithonia	3-3	3-7	Ridgeland	0-5	1-9	
Heritage-Conyers	1-4	1-9	M.L. King	2-4	2-8				
Rockdale County	0-5	1-8	Stone Mountain	1-5	4-6	<u>8-4A</u>			
			Northview	0-6	1-9	North Oconee	6-0	7-3	
<u>4-6A</u>			#Chamblee	0-0	8-2	Jefferson	5-1	9-1	
Hughes	5-0	9-1	#Clarkston	0-0	2-5	Flowery Branch	4-2	7-3	
Westlake	4-1	8-2	#Cross Keys	0-0	0-6	Cedar Shoals	3-3	3-6	
Lovejoy	2-3	4-4				Chestatee	2-4	4-6	
Tucker	2-3	2-8	<u>6-5A</u>			Madison County	1-5	4-6	
North Atlanta	2-3	6-4	Villa Rica	5-0	7-1	East Hall	0-6	1-9	
Morrow	0-5	1-9	New Manchester	4-1	5-4				
#Lakeside-DeKalb	0-0	6-4	Lithia Springs	3-2	4-6	<u>CLASS 3A - Region 1</u>			
			Jackson-Atlanta	2-3	3-7	Pierce County	4-0	8-2	

FOOTBALL STANDINGS - 2021

REGION		ALL	REGION		ALL	REGION		ALL
W	L	W L	W	L	W L	W	L	W L
Appling County	3-1	9-1	Washington County	3-3	6-4	Christian Heritage	2-2	4-6
Long County	2-2	5-5	Lamar County	3-3	6-4	North Cobb Christian	1-3	3-7
Brantley County	1-3	3-7	Southwest	1-5	1-7	Walker	0-4	1-9
Tattnall County	0-4	5-5	Jasper County	0-6	0-10			
2-3A			4-AA			8-A Private		
Crisp County	7-0	7-3	Putnam County	7-0	10-0	Prince Avenue	4-0	9-1
Peach County	6-1	6-3	Westside-Augusta	6-1	8-2	Athens Academy	3-1	7-3
Mary Persons	5-2	7-3	Jefferson County	5-2	6-4	Athens Christian	2-2	6-4
Jackson	4-3	5-5	Laney	4-3	6-4	George Walton	1-3	2-8
Pike County	2-5	3-7	Oglethorpe County	3-4	3-7	Loganville Christian	0-4	0-9
Upson-Lee	2-5	4-6	Josey	2-5	2-7			
Central Macon	1-6	1-9	Glenn Hills	1-6	1-7	CLASS A Public - Region 1		
Sumter County	1-6	1-8	Butler	0-7	0-10	Pelham	4-1	6-4
3-3A			5-AA			Mitchell County	3-2	6-3
Liberty County	5-1	5-3	Haralson County	4-0	9-1	Terrell County	3-2	6-2
Southeast Bulloch	5-1	9-1	Callaway	3-1	7-2	Miller County	2-3	4-6
Windsor Forest	4-2	5-4	Heard County	2-2	5-5	Seminole County	2-3	3-7
Johnson-Savannah	4-2	5-4	Bremen	1-3	5-5	Randolph-Clay	0-5	1-9
Beach	2-4	2-8	Temple	0-4	1-7	#Baconton	0-0	1-8
Savannah	1-5	2-7				#Pataula Charter	0-0	6-2
Groves	0-6	0-9	6-AA			2-A Public		
4-3A			South Atlanta	8-0	9-1	Irwin County	6-0	8-2
Thomson	6-0	9-1	Lovett	6-2	7-3	Brooks County	5-1	7-2
Burke County	5-1	7-2	Pace Academy	6-2	6-4	Turner County	3-3	4-6
Harlem	4-2	6-4	Columbia	6-2	7-3	Charlton County	3-3	7-3
Hephzibah	3-3	5-5	Washington	3-4	5-4	Clinch County	2-4	3-7
Morgan County	2-4	3-7	Towers	3-5	3-7	Lanier County	1-5	3-7
Richmond Academy	1-5	2-8	Therrell	2-6	3-7	Atkinson County	1-5	3-7
Cross Creek	0-6	1-9	KIPP Atlanta	1-6	1-8	3-A Public		
5-3A			McNair	0-8	1-9	Metter	7-0	10-0
Carver-Atlanta	6-1	7-2	7-AA			ECl	6-1	8-2
Cedar Grove	6-1	7-3	Fannin County	6-0	9-1	McIntosh Co. Academy	5-2	5-4-1
Sandy Creek	6-1	9-1	Chattooga	4-2	5-4	Screven County	3-4	3-7
GACS	4-3	4-6	Pepperell	4-2	5-5	Jenkins County	3-4	3-7
Westminster	3-4	5-5	Dade County	4-2	7-3	Claxton	2-5	2-8
Salem	2-5	4-6	Model	2-4	3-7	Bryan County	2-5	3-7
Douglass-Atlanta	1-6	1-9	Coosa	1-5	1-9	Portal	0-7	0-10
Redan	0-7	2-8	Gordon Central	0-6	0-10	4-A Public		
6-3A			8-AA			Wilcox County	6-1	6-3
Rockmart	8-0	8-1	Rabun County	3-0	9-1	Dublin	6-2	6-4
Ringgold	7-1	9-1	Elbert County	3-1	5-4	Montgomery County	6-2	8-2
Adairsville	6-2	8-2	Union County	2-2	3-6	Dooley County	5-3	6-4
North Murray	5-3	7-3	Banks County	1-3	2-7	Johnson County	5-3	7-3
Sonoraville	4-4	6-4	Riverside Military	0-3	1-6-1	Wheeler County	3-5	5-5
LaFayette	3-5	4-6	CLASS A Private - Region 1			Telfair County	2-6	3-7
Coahulla Creek	2-6	4-6	First Presbyterian	5-0	8-2	Treutlen	1-6	2-7
Lakeview-Ft. Oglethorpe	1-7	1-9	Tattnall Square	4-1	8-1	Hawkinsville	1-7	2-8
Murray County	0-8	1-9	Stratford Academy	3-2	7-3	5-A Public		
7-3A			Mount de Sales	2-3	5-5	Macon County	7-0	9-0
Cherokee Bluff	6-0	10-0	Deerfield-Windsor	1-4	3-7	Schley County	6-1	9-1
Dawson County	5-1	6-4	Strong Rock	0-5	0-9	Chattahoochee County	5-2	8-2
North Hall	4-2	6-4	2-A Private			Manchester	4-3	5-4
White County	3-3	4-6	ELCA	2-0	5-5	Greenville	3-4	6-4
Gilmer	1-5	3-7	Whitefield Academy	1-1	6-4	Marion County	3-5	3-7
Lumpkin County	1-5	2-8	Landmark Christian	0-2	2-7	Taylor County	1-7	2-7
West Hall	1-5	4-6	3-A Private			Central-Talbotton	0-7	0-10
#East Forsyth	0-0	2-8	Calvary Day School	3-0	10-0	6-A Public		
8-3A			Aquinas	2-1	6-4	Bowdon	4-1	8-2
Monroe Area	5-0	10-0	Savannah Cty. Day	1-2	3-6	Trion	4-1	9-1
Oconee County	4-1	9-1	Savannah Christian	0-3	4-6	Gordon Lee	3-2	6-4
Hart County	3-2	7-3	4-A Private			Mt. Zion-Carroll	2-3	6-4
Stephens County	2-3	7-3	Trinity Christian	3-0	10-0	Armuchee	2-3	6-3
East Jackson	1-4	3-7	St. Anne-Pacelli	2-1	7-2	B.E.S.T Academy	0-5	1-8
Franklin County	0-5	3-7	Brookstone	0-2	5-3	7-A Public		
CLASS 2A - Region 1			Heritage-Newnan	0-2	0-8	Georgia Military	6-0	10-0
Thomasville	5-0	9-1	5-A Private			Warren County	5-1	7
Fitzgerald	3-1	7-2	Holy Innocents'	4-0	9-1	ACE Charter	4-2	4-4
Early County	2-2	4-4	Wesleyan	3-1	7-3	Crawford County	3-3	3-6
Cook	2-3	5-5	Mount Vernon	2-2	6-4	Hancock Central	2-4	2-7
Worth County	1-4	4-6	Hebron Christian	1-3	4-6	Wilkinson County	2-5	3-7
Berrien	1-4	4-6	Providence Christian	0-4	2-8	Twiggs County	0-7	1-9
2-AA			6-A Private			#GSIC	0-0	0-1
Swainsboro	5-0	8-2	Fellowship Christian	4-0	9-1	#Glascok County	0-0	2-7
Jeff Davis	4-1	9-1	St. Francis	3-1	5-5	8-A Public		
Toombs County	2-3	4-6	Mt. Pisgah	2-2	5-5	Lincoln County	4-1	7-3
Vidalia	2-3	3-7	King's Ridge	1-3	4-6	Washington-Wilkes	4-1	8-2
East Laurens	2-3	6-4	Lakeview Academy	0-4	1-8	Social Circle	3-2	6-4
Bacon County	0-5	0-9	#Pinecrest Academy	0-0	7-1	Commerce	3-2	6-4
3-AA			7-A Private			Greene County	1-4	4-6
Bleckley County	6-0	10-0	Darlington	4-0	9-1	Towns County	0-5	4-6
Northeast	4-2	7-3	Mt. Paran	3-1	6-4	Lake Oconee Academy	0-0	0-1
Dodge County	4-2	7-3						

- Indicates team playing non-region schedule
 * - Indicates team had to forfeit games

STATE FOOTBALL PLAYOFFS - 2021

Class 7A

First Round		
Marietta28	Tift County.....14
Milton45	Duluth.....14
Mill Creek49	West Forsyth.....20
McEachern34	South Gwinnett.....28
Walton41	Colquitt County.....17
Archer46	Alpharetta.....7
North Gwinnett29	South Forsyth.....15
Brookwood56	Newnan.....7
Grayson48	East Coweta.....14
Denmark23	Mountain View.....20
Roswell52	Meadowcreek.....8
North Cobb44	Camden County.....6
Pebblebrook44	Parkview.....41
Collins Hill56	Lambert.....13
Norcross28	Cherokee.....21
Lowndes45	Harrison.....35
Round 2		
Milton38	Marietta.....21
Mill Creek52	McEachern.....30
Walton34	Archer.....7
Brookwood17	North Gwinnett.....14
Grayson35	Denmark.....21
Roswell46	North Cobb.....43
Collins Hill48	Pebblebrook.....6
Lowndes35	Norcross.....34
Quarterfinals		
Milton36	Mill Creek.....27
Walton52	Brookwood.....35
Grayson24	Grayson.....14
Collins Hill49	Lowndes.....7
Semifinals		
Milton52	Walton.....17
Collins Hill31	Grayson.....0
Final		
Collins Hill24	Milton.....8

Class 6A

First Round		
Evans19	Houston County.....10
Johns Creek31	Rome.....27
Dacula36	Pope.....12
Brunswick60	Tucker.....26
Northside,WR35	Lakeside-Evans.....3
Douglas County24	Riverwood.....17
Shiloh19	Allatoona.....14
Hughes42	Glynn Academy.....14
Westlake45	Effingham County.....3
Kennesaw Mtn.49	Lanier.....21
Carrollton47	Creekview.....28
AlcovyBye	
Lovejoy19	Richmond Hill.....14
Buford38	Kell.....14
Cambridge50	South Paulding.....29
Lee County59	Grovetown.....12
Round 2		
Johns Creek45	Evans.....14
Dacula29	Brunswick.....21
Northside-WR42	Douglas County.....13
Hughes28	Shiloh.....8
Westlake45	Kennesaw Mtn.....10
Carrollton43	Alcovy.....21
Buford44	Lovejoy.....7
Lee County42	Cambridge.....39
Quarterfinals		
Dacula35	Johns Creek.....0
Hughes48	Northside-WR.....7
Carrollton37	Westlake.....32
Buford27	Lee County.....0
Semifinals		
Hughes47	Dacula.....28
Buford21	Carrollton.....6
Final		
Buford21	Hughes.....20

Class 5A

First Round		
Creekside28	Coffee.....18
St. Pius X42	Cass.....9
Lithia Springs30	Apalachee.....27
Whitewater19	Ola.....16
Warner Robins64	Jonesboro.....20
Cartersville51	Lithonia.....0
Eastside41	New Manchester.....35
Jones County56	Griffin.....42
Harris County56	Dutchtown.....35
Villa Rica42	Jackson County.....14
Blessed Trinity41	SW DeKalb.....20
Woodward48	Veterans.....14
Starr's Mill34	Union Grove.....25
Clarke Central46	Jackson-Atlanta.....6
Calhoun35	Decatur.....21
Ware County42	Banneker.....28
Round 2		
Creekside41	St. Pius X.....34
Whitewater49	Lithia Springs.....33
Warner Robins24	Cartersville.....17
Jones County66	Eastside.....42
Villa Rica34	Harris County.....21
Blessed Trinity28	Woodward.....13
Clarke Central24	Starr's Mill.....7
Calhoun49	Ware County.....42
Quarterfinals		
Creekside20	Whitewater.....13
Warner Robins49	Jones County.....21
Blessed Trinity49	Villa Rica.....7
Calhoun31	Clarke Central.....7
Semifinals		
Warner Robins40	Creekside.....15
Calhoun24	Blessed Trinity.....7
Final		
Warner Robins38	Calhoun.....14

Class 4A

First Round		
Dougherty44	Jenkins.....17
Riverdale49	Central-Carroll.....28
Hapeville12	Jefferson.....10
Carver-Columbus22	West Laurens.....7
Cairo33	New Hampstead.....31
Cedartown55	Hampton.....14
Flowers Branch33	Mays.....28
Perry31	Hardaway.....12
LaGrange19	Baldwin.....0
Marist49	Cedar Shoals.....7
Luella20	Heritage-Catoosa.....13
Benedictine59	Thomas Co. Central.....0
Spalding10	Troup.....3
North Oconee56	Miller Grove.....21
NW Whitfield36	Fayette County.....33
Bainbridge42	Islands.....0
Round 2		
Dougherty7	Riverdale.....0
Carver-Columbus52	Hapeville.....12
Cedartown48	Cairo.....14
Perry42	Flowers Branch.....7
Marist48	LaGrange.....7
Benedictine63	Luella.....7
North Oconee37	Spalding.....0
Bainbridge48	NW Whitfield.....7
Quarterfinals		
Carver-Columbus16	Dougherty.....14
Cedartown39	Perry.....25
Benedictine24	Marist.....21
North Oconee29	Bainbridge.....24
Semifinals		
Carver-Columbus22	Cedartown.....21
Benedictine42	North Oconee.....32
Final		
Benedictine35	Carver-Columbus.....28

Class 3A

First Round		
SE Bulloch42	Long County.....16
Cedar Grove79	White County.....0
Oconee County29	Adairsville.....22
Crisp County41	Harlem.....0
Appling County42	Johnson-Savannah.....8
Cherokee Bluff38	GACS.....17
Ringgold30	Hart County.....21
Thomson21	Jackson.....20
Burke County48	Mary Persons.....21
Stephens County27	Rockmart.....13
Carver-Atlanta56	North Hall.....17
Liberty County30	Brantley County.....28
Peach County42	Morgan County.....3
Monroe Area58	North Murray.....14
Dawson County36	Sandy Creek.....27
Pierce County42	Windsor Forest.....0
Round 2		
Cedar Grove48	SE Bulloch.....10
Crisp County26	Oconee County.....10
Appling County34	Cherokee Bluff.....20
Thomson14	Ringgold.....7
Burke County41	Stephens County.....24
Carver-Atlanta53	Liberty County.....12
Peach County24	Monroe Area.....21
Pierce County49	Dawson County.....0
Quarterfinals		
Cedar Grove28	Crisp County.....6
Appling County21	Thomson.....7
Carver-Atlanta46	Burke County.....14
Pierce County35	Peach County.....30
Semifinals		
Cedar Grove27	Appling County.....6
Carver-Atlanta19	Pierce County.....17
Final		
Cedar Grove56	Carver-Atlanta.....26

Class 2A

First Round		
Northeast42	Cook.....22
Haralson County34	Chattooga.....7
Columbia26	Elbert County.....14
Swainsboro48	Laney.....8
Fitzgerald15	Dodge County.....6
Fannin County45	Bremen.....14
Lovett28	Union County.....7
Putnam County62	East Laurens.....7
Westside-Augusta23	Vidalia.....21
South Atlanta46	Banks County.....12
Callaway29	Pepperell.....22
Bleckley County20	Early County.....16
Jeff Davis40	Jefferson County.....0
Rabun County63	Pace Academy.....14
Heard County32	Dade County.....27
Thomasville42	Washington County.....7
Round 2		
Northeast26	Haralson County.....20
Swainsboro41	Columbia.....14
Fitzgerald28	Fannin County.....14
Putnam County28	Lovett.....24
South Atlanta22	Westside-Augusta.....17
Callaway35	Bleckley County.....14
Rabun County56	Jeff Davis.....7
Thomasville42	Heard County.....16
Quarterfinals		
Swainsboro12	Northeast.....9
Fitzgerald21	Putnam County.....7
Callaway39	South Atlanta.....22
Thomasville49	Rabun County.....24
Semifinals		
Fitzgerald27	Swainsboro.....6
Thomasville31	Callaway.....6
Final		
Fitzgerald21	Thomasville.....7

STATE FOOTBALL PLAYOFFS - 2021

Class A Public

First Round	
ECL.....48	Terrell County.....12
Macon County.....35	Crawford County.....0
Lincoln County.....30	Mt Zion-Carroll.....0
Irwin County.....35	Johnson County.....7
McIntosh Co. Acad. 32	Mitchell County.....6
Manchester.....20	Georgia Military.....8
Trion.....55	Social Circle.....21
Wilcox County.....36	Charlton County.....26
Turner County.....38	Dublin.....36
Bowdon.....35	Commerce.....0
Schley County.....50	ACE Charter.....10
Metter.....42	Seminole County.....14
Brooks County.....49	Montgomery County. 13
Washington-Wilkes.28	Gordon Lee.....7
Warren County.....42	Chattahoochee Co.....7
Pelham.....3	Screven County.....0
Round 2	
Macon County.....42	ECL.....10
Irwin County.....51	Lincoln County.....27
Manchester.....19	McIntosh Co. Acad.....13
Wilcox County.....23	Trion.....22
Turner County.....46	Bowdon.....13
Metter.....33	Schley County.....6

Brooks County.....61	Washington-Wilkes...28
Warren County.....32	Pelham.....7
Quarterfinals	
Irwin County.....28	Macon County.....15
Wilcox County.....20	Manchester.....14
Metter.....60	Turner County.....21
Brooks County.....51	Warren County.....30
Semifinals	
Irwin County.....45	Wilcox County.....14
Brooks County.....49	Metter.....7
Final	
Brooks County.....56	Irwin County.....28

Fellowship Christ...42	George Walton.....7
Wesleyan.....21	Christian Heritage.....14
Calvary Day.....49	Mt de Sales.....7
Brookstone.....14	Whitefield Academy..10
Prince Avenue.....1	King's Ridge.....0
Mt Vernon.....14	Mt Paran.....7
First Presbyterian...21	Aquinas.....14
Round 2	
Holy Innocents'.....42	Savannah Cty. Day.....7
ELCA.....56	Athens Academy.....7
Darlington.....24	Tattnall Square.....14
Trinity Christian....48	Athens Christian.....14
Fellowship Christ...30	St. Anne-Pacelli.....7
Calvary Day.....35	Wesleyan.....0
Prince Avenue.....52	Brookstone.....0
First Presbyterian...31	Mt Vernon.....0

Class A Private

First Round	
Savannah Cty. Day..21	Stratford Academy....19
Holy Innocents'.....32	N. Cobb Christian.....0
Athens Academy.....27	Mt Pisgah.....21
ELCA.....1	Heritage-Newnan.....0
Tattnall Square.....28	Savannah Christian...21
Darlington.....42	Hebron Christian.....17
Athens Christian....42	St. Francis.....39
Trinity Christian .BYE	
St. Anne-Pacelli....28	Landmark Christian..14

Quarterfinals	
ELCA.....35	Holy Innocents'.....28
Trinity Christian....56	Darlington.....7
Fellowship Christ...24	Calvary Day.....14
Prince Avenue.....41	First Presbyterian.....22
Semifinals	
Trinity Christian....48	ELCA.....45
Prince Avenue.....38	Fellowship Christ....28
Final	
Trinity Christian....55	Prince Avenue.....28

STATE FLAG FOOTBALL PLAYOFFS - 2021

Class 7A

Round 1	
Milton.....25	North Paulding.....0
Brookwood.....19	Discovery.....0
North Gwinnett.....7	West Forsyth.....6
Hillgrove.....19	River Ridge.....6
Johns Creek.....6	Allatoona.....0
Archer.....27	Parkview.....0
Forsyth Central.....24	Mountain View.....6
Creekview.....14	Osborne.....12
Blessed Trinity.....13	Pope.....0
South Forsyth.....18	Peachtree Ridge.....0
Grayson.....13	Meadowcreek.....6
Roswell.....13	Paulding Co.....6
Marietta.....13	Woodstock.....6
Mill Creek.....13	Lambert.....6
Central Gwinnett...13	Shiloh.....6
McEachern.....14	Chattahoochee.....12
Round 2	
Milton.....20	Brookwood.....6
Hillgrove.....6	North Gwinnett.....0
Archer.....13	Johns Creek.....0
Forsyth Central.....14	Creekview.....6
Blessed Trinity.....19	South Forsyth.....6
Grayson.....6	Roswell.....0
Marietta.....7	Mill Creek.....6
McEachern.....16	Central Gwinnett.....0
Quarterfinals	
Hillgrove.....14	Milton.....7
Archer.....18	Forsyth Central.....6
Blessed Trinity.....6	Grayson.....0
Marietta.....19	McEachern.....7
Semifinals	
Hillgrove.....12	Archer.....6
Marietta.....26	Blessed Trinity.....0
Final	
Hillgrove.....20	Marietta.....6

Class 5A-6A

Round 1	
Eagles Landing.....13	Northside-WR.....12
Dunwoody.....20	Salem.....6
Greenbrier.....25	Westlake.....19
Northgate.....34	Mundy's Mill.....0
Perry.....19	Luella.....0
Heritage-Conyers..26	Tucker.....0
Lithia Springs.....6	Grovetown.....0
Newnan.....33	Jonesboro.....8
Mt. Zion-Jonesboro 12	East Coweta.....7
Riverwood.....6	Evans.....0
Woodland-Henry...13	Lakeside-DeKalb...0
McDonough.....6	Dooly Co.....0
Trinity Christian....20	Lovejoy.....13
Central-Carroll....7	Lakeside-Evans.....6
Rockdale.....20	Lithonia.....0
Dodge Co.....19	Locust Grove.....0
Round 2	
Dunwoody.....2	Eagles Landing.....0
Greenbrier.....7	Northgate.....0
Heritage-Conyers..12	Perry.....0
Lithia Springs.....7	Newnan.....6
Riverwood.....26	Mt. Zion-Jonesboro 7
McDonough.....26	Woodland-Henry...0
Trinity Christian....22	Central-Carroll....19
Dodge Co.....24	Rockdale.....0
Quarterfinals	
Greenbrier.....6	Dunwoody.....0
Lithia Springs.....2	Heritage-Conyers...0
Riverwood.....12	McDonough.....0
Dodge Co.....14	Trinity Christian....6
Semifinals	
Lithia Springs.....6	Greenbrier.....2
Dodge Co.....13	Riverwood.....6
Final	
Dodge Co.....6	Lithia Springs.....0

Class A-4A

Round 1	
Portal.....13	Beach.....6
Harris County.....12	Washington-Atl.....6
Mary Persons.....20	Columbia.....7
St. Vincents.....19	Kendrick.....14
Long County.....6	Swainsboro.....0
Shaw.....7	Hebron Christian...0
Tri-Cities.....12	Loganville.....6
Pacelli.....27	Effingham Co.....0
Columbus.....22	Richmond Hill.....0
Walnut Grove.....18	Therrell.....0
Northside-Col.....52	South Atlanta.....0
SE Bulloch.....44	Jenkins.....0
Sumter County.....13	New Hampstead.....0
Pace Academy.....25	Morgan County.....0
LaGrange.....25	Mt. Vernon.....21
Calvary Day.....18	Statesboro.....6
Round 2	
Portal.....19	Harris County.....0
St. Vincents.....13	Mary Persons.....12
Long County.....21	Shaw.....12
Pacelli.....21	Tri-Cities.....0
Columbus.....25	Walnut Grove.....0
SE Bulloch.....20	Northside-Col.....0
Pace Academy.....12	Sumter County.....6
Calvary Day.....26	LaGrange.....0
Quarterfinals	
Portal.....14	St. Vincents.....13
Pacelli.....14	Long County.....7
SE Bulloch.....13	Columbus.....0
Calvary Day.....19	Pace Academy.....6
Semifinals	
Portal.....12	Pacelli.....6
SE Bulloch.....12	Calvary Day.....0
Final	
SE Bulloch.....20	Portal.....0

STATE GOLF TOURNAMENTS - 2022

7A BOYS

Individual Scores

1. Ryan Davidson, Gainesville.....70-70
2. Rahul Rajendran, Milton.....70-71
3. Richard Yang, Peachtree Ridge.....70-74
4. Craig Long, Milton.....74-72
4. Will Jones, Milton.....74-72
4. Bryant Vail, North Paulding.....68-78

Team Scores

1. Milton.....(293-289 = 582)
Rahul Rajendran.....70-71
Craig Long.....74-72
Will Jones.....74-72
Jack Burr.....75-75
Mason Fundingsland.....76-74
2. Gainesville.....(290-307 = 597)
Ryan Davidson.....70-70
Henry Kopydlowski.....72-76
Wiley Hickerson.....77-81
Turner Edmondson.....71-82
Brigham Ralston.....84-80
3. Lambert.....(293-306 = 599)
Michael Lee.....72-75
Nick Schwendiman.....70-79
Wesley Hu.....73-77
Andy Cruz.....78-75
Kyle Stine.....81-79
4. North Forsyth.....(295-309 = 604)
Dax Isbell.....71-77
Cole Isbell.....73-79
Alex Miggas.....75-81
Brodie Mizer.....76-72

7A GIRLS

Individual Scores

1. Sara Im, Lambert.....71-67
2. Averi Cline, Lambert.....70-71
3. Trisha Shivaiah, Milton.....76-70
4. Iris Cao, Lambert.....72-75

Team Scores

1. Lambert.....(213-210 = 423)
Averi Cline.....70-71
Sara Im.....71-67
Iris Cao.....72-75
Emmerson Elm.....76-72
2. Walton.....(227-225 = 452)
Saanvi Venkatesh.....73-78
Tatum Thompson.....75-77
Annika Gomeyac.....79-70
3. Lowndes.....(240-265 = 505)
Kayla Lee.....79-89
Molly Davis.....80-91
Ebby Somers.....81-85
4. Colquitt County.....(268-258 = 526)
Sadie Norman.....82-78
Lenzie Norman.....90-88
Tayler Brown.....96-95
Ann Elyse Clements.....99-92
4. Peachtree Ridge.....(273-253 = 526)
Lindsay Pak.....83-77
Lindsay Kim.....93-89
Sarina Hameed.....97-95
Haley Kim.....110-87

6A BOYS

Individual Scores

1. Caleb Wall, Carrollton.....69-72
2. Wyatt Brackett, Dalton.....70-72
3. Cole Stockard, Dalton.....71-73
4. Brant Carman, South Paulding.....72-73
4. Clay Taylor, Cambridge.....72-73
4. Brooks Hollingsworth, Creekview...70-75
4. Jack Rowe, Habersham Central.....72-73

Team Scores

1. Johns Creek.....(295-299 = 594)
Bruce Murphy.....71-80
James Henry.....72-76
Taiki Miyagi.....75-72
Kenny Cox.....77-77
Jack Hutchison.....78-74
2. Cambridge.....(295-308 = 603)
Clay Taylor.....72-73
Trip Beaty.....72-78
Patrick Burns.....74-76
Jamison Bryant.....77-81
3. Creekview.....(296-309 = 605)
Brooks Hollingsworth.....70-75
Josh Ledford.....71-75
Drew Vajda.....76-77
Zane May.....79-86
Dusty Martin.....82-82
4. Glynn Academy.....(299-310 = 609)
Shep Davenport.....73-76
Grady Sanders.....75-77
Williamson Mosher.....75-78
Ellis Long.....76-82
Maddox Stroud.....NS-79

6A GIRLS

Individual Scores

1. Hannah Barrett, Richmond Hill.....74-76
2. Lindsay Wayland, Creekview.....78-79
2. Kinsley Skiffen, Dalton.....83-74
4. Macy Fulton, Alexander.....80-79

Team Scores

1. Glynn Academy.....(243-241 = 484)
Chanley Box.....79-81
Maria Barr.....80-86
Emma Hill.....84-83
Elyse Burney.....86-77
2. Creekview.....(248-247 = 495)
Lindsay Wayland.....78-79
Makenna Dubois.....79-82
Nicole Gerthing.....91-86
3. Johns Creek.....(250-253 = 503)
Genevive Wu.....80-91
Jocelyn Zeng.....81-85
Ella York.....89-77
Arianna Badlani.....96-91
4. Richmond Hill.....(275-256 = 531)
Hannah Barrett.....74-76
Sofia Raye.....86-82
Tatum Wood.....115-98

5A BOYS

Individual Scores

1. Lee Smith, Ware County.....71-68
2. Kyle Bachkosky, Starr's Mill.....72-69

3. Andrew Korytoski, Harris County...72-70
4. Shaun Cook, St Pius.....74-69

Team Scores

1. Starr's Mill.....(286-292 = 578)
Thomas Reininger.....67-78
Kyle Bachkosky.....72-69
Ian Humphrey.....73-72
Will Sutton.....74-73
2. Wayne County.....(305-294 = 599)
Finley Burke.....74-73
Aidan Jones.....75-75
Antonio Juarbe.....77-76
Brett Maloy.....79-70
3. Cartersville.....(296-311 = 607)
Jake Lawson.....71-75
Jake Wehunt.....73-81
Camden Meadows.....75-80
Andrew Lutjens.....77-78
Brody Tidwell.....77-79
Anderson McCary.....86-79
4. Woodward.....(301-307 = 608)
Glover Amick.....73-71
Anay Kulkarni.....75-83
Rishi Agrawal.....76-98
Aren Patel.....77-77
Aneesh Kulkarni.....79-80
Wyatt Seilkop.....80-79

5A GIRLS

Individual Scores

1. Ella Manley, Calhoun.....66-79
2. Rachel Camp, Starr's Mill.....83-73
3. Elizabeth Sullivan, St Pius.....74-83
4. Aly Francis, Woodward.....79-79

Team Scores

1. Ware County.....(251-251 = 502)
Carlin Paulk.....78-81
Emma Thomas.....86-84
Clarissa Musgrove.....87-86
2. St. Pius.....(251-271 = 522)
Elizabeth Sullivan.....74-83
Neve Thanner.....80-87
Emmy Jansa.....97-103
Annabella Sheridan.....106-101
3. Starr's Mill.....(269-257 = 526)
Rachel Camp.....83-73
Ricki Davis.....91-93
Emily Stanek.....95-96
Ava Dente.....111-91
4. Blessed Trinity.....(269-276 = 545)
Bronwyn Comlish.....82-90
Stella McWhorter.....93-93
Julia Geis.....94-93

4A BOYS

Individual Scores

1. Luke Koenig, North Oconee.....67-66
2. Andrew Reyes, Perry.....64-70
3. Aren Flanders, West Laurens.....72-72
4. Landry Short, North Oconee.....71-74

Team Scores

1. North Oconee.....(287-289 = 576)
Luke Koenig.....67-66
Landry Short.....71-74

STATE GOLF TOURNAMENTS - 2022

Eli Rogers.....	74-76
Freddy Chappell.....	75-75
Zach Wiley.....	76-74

2. Perry.....	(295-294 = 589)
Andrew Reyes.....	64-70
Aaron Stocks.....	76-74
Carter Horton.....	77-70
Caden Camp.....	78-80

3. Benedictine.....	(324-312 = 636)
Whit Watson.....	78-78
Hank Tollison.....	82-76
Michael Slatinsky.....	82-85
Nicholas Scarano.....	82-77
Haddon Watson.....	84-81

4. Marist.....	(318-319 = 637)
Connor Roberts.....	72-87
Drew Linnihan.....	82-85
Rush Williams.....	82-76
Tyler Horton.....	82-79
Max Mraz.....	NS-79

4A GIRLS

Individual Scores

1. Kailey Crawford, Spalding.....	76-74
2. Camryn Wright, North Oconee.....	75-78
3. Kate Belote, West Laurens.....	78-81
4. Sara Burger, NW Whitfield.....	78-82

Team Scores

1. North Oconee.....	(252-243 = 495)
Camryn Wright.....	75-78
Leah Anderson.....	88-79
Hayley Ade.....	89-86

2. Columbus.....	(266-268 = 534)
Regan Henderson.....	85-82
Alexa Fontanez.....	90-100
Ansley Bufford.....	91-86

3. Northwest Whitfield.....	(271-274 = 545)
Sara Burger.....	78-82
Rylei Brown.....	95-97
Reese Day.....	98-95
Analee Williams.....	102-97

4. Marist.....	(282-285 = 567)
Paris Adams.....	86-93
Sophia Pappadakis.....	96-94
Haley May Wade.....	100-98

3A BOYS

Individual Scores

1. Ballou Phillips, Richmond Acad.....	66-69
2. Harris Barth, Westminster.....	69-67
3. Price Miller, Westminster.....	69-68
4. Matthew Young, Westminster.....	72-70
4. William Love, Westminster.....	73-69

Team Scores

1. Westminster.....	(283-274 = 557)
Harris Barth.....	69-67
Price Miller.....	69-68
Matthew Young.....	72-70
William Love.....	73-69

2. Richmond Academy.....	(287-286 = 573)
Ballou Phillips.....	66-69
John Taylor.....	69-77
Thomas Blanchard.....	76-73

Walker Leibach.....	76-74
Barrett Trotter.....	79-70

3. Cherokee Bluff.....	(312-306 = 618)
Caleb Vancil.....	72-72
Bryce Horton.....	76-79
T.J. Harris.....	80-77
Jackson Wyrick.....	84-78

4. Pierce County.....	(314-310 = 624)
Fisher Crews.....	76-76
Eli Metts.....	77-90
Ethan Arnold.....	79-78
Sam Ricketson.....	82-74
Ellison Kirkland.....	84-82

3A GIRLS

Individual Scores

1. Jessy Young, Westminster.....	75-70
2. Reagan Folk, Morgan County.....	75-73
3. Mackenzie Connell, Pierce County.....	75-74
4. Alisa Pressley, Cherokee Bluff.....	74-79

Team Scores

1. Pierce County.....	(239-246 = 485)
Mackenzie Connell.....	75-74
Addyson Walker.....	80-83
Lily Varnes.....	84-99
Maggie Sapp.....	NS-89

2. Westminster.....	(259-256 = 515)
Jessy Young.....	75-70
Kyra Dube.....	84-87
Mary Katherine Boller.....	100-101
Charlotte Baugher.....	103-99

3. North Hall.....	(285-265 = 550)
Lillie Mallis.....	82-83
MaKayla Jones.....	88-85
Ella Wilson.....	115-113
Morgan Whidden.....	115-97

4. Oconee County.....	(289-288 = 577)
Caroline Hinzman.....	86-93
Emma McCormick.....	100-98
Ava Hinzman.....	103-97

2A BOYS

Individual Scores

1. Ty Darsey, Washington County.....	71-70
1. Brycen Jones, Thomasville.....	71-70
3. Brady Starrett, Elbert County.....	77-67
3. Zidan Ajani, Lovett.....	76-68
3. Ben Shelton, Pace Academy.....	76-68

Team Scores

1. Lovett.....	(306-282 = 588)
Park Howell.....	72-76
Zidan Ajani.....	76-68
Jack Shaifer.....	78-73
Brady Rackley.....	80-68
John Christians.....	NS-73

2. Pace Academy.....	(305-292 = 597)
Jack Mallard.....	75-79
Ben Shelton.....	76-68
Ronak Lalaji.....	76-78
William Baker.....	78-69
Will Aronson.....	80-77

3. Rabun County.....	(307-315 = 622)
Clayton Dixon.....	75-90
Garrett Horton.....	75-71

Dalton Ramey.....	78-91
Connor Horton.....	79-75
Brett Backer.....	81-83
Tate Ramey.....	90-86

4. Bremen.....	(328-321 = 649)
Chase Bilbo.....	78-78
Tyler Clark.....	78-82
Barrett Greenhaw.....	85-81
Rhett McBrayer.....	87-80

2A GIRLS

Individual Scores

1. Abby Bryant, Elbert County.....	78-76
2. Lucy Wiegert, Bleckley County.....	72-83
3. Blair Maner, Lovett.....	79-83
4. Jenna Miles, Jeff Davis.....	85-79
4. Kayla Silvers, Gordon Central.....	79-85

Team Scores

1. Lovett.....	(162-171 = 333)
Blair Maner.....	79-83
Alicia Kim.....	83-90
Bailey Brunson.....	91-88

2. Jeff Davis.....	(169-166 = 335)
Shelby Moore.....	84-87
Jenna Miles.....	85-79

3. Gordon Central.....	(172-167 = 339)
Kayla Silvers.....	79-85
Caitlyn Chililo.....	93-82

4. Elbert County.....	(174-181 = 355)
Abby Bryant.....	78-76
Ava Dye.....	96-105

A PUBLIC BOYS

Individual Scores

1. Rylan Black, Lake Oconee Acad.....	74-74
2. Colby Bennett, Lake Oconee Acad.....	80-71
3. Drew Williams, Lake Oconee Acad.....	74-78
4. Rhett Smith, Lake Oconee Acad.....	77-76

Team Scores

1. Lake Oconee Academy.....	(305-299 = 604)
Rylan Black.....	74-74
Drew Williams.....	74-78
Rhett Smith.....	77-76
Colby Bennett.....	80-71

2. Drew Charter.....	(329-326 = 655)
Marcus Leonard.....	77-79
Miles Richardson.....	81-79
Kaden Rogers.....	85-85
Steven Lewis.....	86-84
Benjamin Harper.....	87-84

3. Metter.....	(351-327 = 678)
Gentry Tootle.....	83-78
Lawson Salter.....	84-83
Broc Altman.....	92-80
Collin Bowen.....	92-86

4. Social Circle.....	(348-338 = 686)
Stephen Bishop.....	82-87
Cameron Owens.....	84-80
Jimmy Busenitz.....	91-91
Trey Booher.....	91-80

STATE GOLF TOURNAMENTS - 2022

A PUBLIC GIRLS

Individual Scores

1. Kelli Scheck, Lake Oconee Acad.....81-75
2. Cora Mount, Gordon Lee.....79-82
3. Hailey Fisher, Drew Charter.....87-75
3. Georgia Bosart, Lake Oconee Acad. 83-79

Team Scores

1. Lake Oconee Academy.....(164-154 = 318)
Kelli Scheck.....81-75
Georgia Bosart.....83-79
2. Drew Charter.....(174-163 = 337)
Hailey Fisher.....87-75
Elsie Husted.....87-88
3. Portal.....(173-179 = 352)
Shelby Clark.....84-83
Emily Marks.....89-96
4. Gordon Lee.....(179-181 = 360)
Cora Mount.....79-82
Charlsie McElhaney.....100-99
4. Metter.....(178-182 = 360)
Laura Kate Kessler.....82-83
Megan Heath.....96-99

A PRIVATE BOYS

Individual Scores

1. Hunter Smith, Prince Avenue.....73-67

2. Will Baker, Prince Avenue.....70-71
3. Jace Butcher, Mt. Paran.....71-71
4. Jack Schoenberger, King's Ridge.....73-70
4. Marshall Butler, Stratford Acad.....69-74
4. Parker Houck, Prince Avenue.....72-71

Team Scores

1. Prince Avenue.....(291-289 = 580)
Hunter Smith.....73-67
Will Baker.....70-71
Parker Houck.....72-71
Maddox Drake.....76-80
James Douglas.....82-80
2. Mt. Paran.....(303-303 = 606)
Jace Butcher.....71-71
Tucker Thompson.....76-81
Conner Bohn.....77-87
Ethan Smith.....79-73
Zach Peterson.....80-78
3. Darlington.....(303-306 = 609)
Rocco Lopez.....73-78
Braden Bell.....76-78
Philip Lataif.....76-78
Redding Shaw.....78-72
4. Brookstone.....(306-307 = 613)
Stewart Rustin.....75-78
Park Ward.....76-77
Madden Dismuke.....77-81
Pate Stansell.....78-76
Tripp Evans.....78-76

A PRIVATE GIRLS

Individual Scores

1. Ther Kotchasanmanee, Darlington...61-66
2. Mary Miller, Savannah Christian.....65-67
3. Haven Ward, Holy Innocents'.....69-73
4. Avery Robinson, First Presbyterian. 68-76

Team Scores

1. Savannah Christian.....(144-146 = 290)
Mary Miller.....65-67
Ava Cottis.....79-79
2. Walker.....(143-154 = 297)
Anna Klass.....68-78
Ella Stoll.....75-76
3. Darlington.....(152-154 = 306)
Ther Kotchasanmanee.....61-66
Maddy McMullan.....91-88
4. Prince Avenue.....(158-159 = 317)
Claire Bradford.....71-74
Nealie Cook.....87-85

STATE LACROSSE TOURNAMENTS - 2022

6A - 7A Boys

Round 1

- Centennial 17, Hillgrove 13
N. Paulding 20, Mtn. View 3
Creekview 15, Grayson 2
Cambridge 16, Campbell 3
Johns Creek 22, Carrollton 7
Mill Creek 17, Etowah 4
South Forsyth 14, Evans 0
Walton 14, Alpharetta 2
Pope 11, Milton 10
Lambert 19, Grovetown 1
Woodstock 17, Collins Hill 1
North Gwinnett 14, Harrison 12
Roswell 17, Lassiter 7
W. Forsyth 16, Lakeside-Evans 1
Allatoona 15, Parkview 4
Buford 19, Newnan 1

Round 2

- North Paulding 10, Centennial 6
Cambridge 11, Creekview 3
Johns Creek 16, Mill Creek 4
Walton 13, South Forsyth 4
Lambert 15, Pope 2
Woodstock 8, North Gwinnett 6
Roswell 15, West Forsyth 6
Buford 17, Allatoona 7

Quarterfinals

- North Paulding 9, Cambridge 6
Walton 18, Johns Creek 13
Lambert 14, Woodstock 1
Buford 16, Roswell 14

Semifinals

- Walton 13, North Paulding 6
Lambert 8, Buford 6

Final

- Lambert 7, Walton 4

6A - 7A Girls

Round 1

- Centennial 10, Harrison 2
North Paulding 18, Parkview 7
West Forsyth 21, Grayson 3
Milton 18, Kell 9
Chattahoochee 12, Carrollton 2
Mill Creek 20, Woodstock 5
North Forsyth 15, Archer 0
Walton 18, Alpharetta 7
Cambridge 14, Pope 13
Creekview 18, Evans 1
Cherokee 12, Brookwood 9
Hillgrove 16, North Gwinnett 2
Lassiter 17, Roswell 16
Lambert 18, Lakeside-Evans 3
River Ridge 14, Mtn. View 12
John's Creek 20, McEachern 2

Round 2

- North Paulding 10, Centennial 7
Milton 15, West Forsyth 11
Chattahoochee 9, Mill Creek 7
Walton 13, North Forsyth 8
Creekview 13, Cambridge 7
Hillgrove 18, Cherokee 8
Lassiter 15, Lambert 8
John's Creek 18, River Ridge 6

Quarterfinals

- Milton 17, North Paulding 5
Walton 9, Chattahoochee 7
Creekview 17, Hillgrove 8
Lassiter 13, John's Creek 7

Semifinals

- Milton 11, Walton 3
Creekview 16, Lassiter 5

Final

- Milton 13, Creekview 12

A - 5A Boys

Round 1

- Marist 14, Whitefield Acad. 5
King's Ridge 17, McIntosh 4
Richmond Hill 17, ELCA 6
Lovett 19, George Walton 1
St. Pius X 19, Bremen 3
Starr's Mill 12, Holy Innocents' 5
Union Grove 18, Sav. Cty. Day 8
Woodward 11, N. Oconee 5
Pace Academy 18, Greenbrier 3
Whitewater 12, Calvary Day 2
Blessed Trinity 17, Northgate 3
Decatur 14, Walker 3
Westminster 20, Oconee Co. 3
Benedictine 20, Ola 3
Fellowship Chr. 14, Trinity Chr. 2
Wesleyan 16, N. Cobb Chr. 2

Round 2

- Marist 6, King's Ridge 5
Lovett 21, Richmond Hill 3
Starr's Mill 11, St. Pius X 1
Woodward 14, Union Grove 5
Pace Academy 16, Whitewater 6
Blessed Trinity 18, Decatur 18
Westminster 21, Benedictine 1
Wesleyan 11, Fellowship Chr. 8

Quarterfinals

- Lovett 17, Marist 7
Starr's Mill 8, Woodward 2
Blessed Trinity 15, Pace Acad. 3
Westminster 13, Wesleyan 8

Semifinals

- Lovett 11, Starr's Mill 6
Westminster 7, Blessed Trinity 4

Final

- Lovett 14, Westminster 7

A - 5A Girls

Round 1

- Walker 15, GACS 5
Blessed Trin. 20, Northgate 2
Effingham Co. 8, Union Grove 7
Westminster 1, Bye 0
St. Pius X 9, Columbus 8
McIntosh 18, Holy Innocents' 17
Ola 17, S. Effingham 0
North Oconee 16, Midtown 9
Lovett 19, Oconee Co. 4
Whitewater 1, Bye 0
Northview 24, Trinity Christ. 7
Mt. Paran 13, Decatur 11
Pace Acad. 20, Greenbrier 6
Richmond Hill 21, Locust Grove 1
Starr's Mill 19, Fellowship Chr. 7
Wesleyan 19, Darlington 3

Round 2

- Blessed Trinity 19, Walker 3
Westminster 23, Effingham Co. 1
McIntosh 16, St. Pius X 7
North Oconee 14, Ola 10
Lovett 9, Whitewater 8
Northview 12, Mt. Paran 7
Richmond Hill 22, Pace Ac. 21
Starr's Mill 19, Wesleyan 18

Quarterfinals

- Blessed Trin. 18, Westminster 6
McIntosh 18, North Oconee 10
Northview 14, Lovett 7
Starr's Mill 17, Richmond Hill 8

Semifinals

- Blessed Trinity 21, McIntosh 3
Northview 15, Starr's Mill 14

Final

- Blessed Trinity 20, Northview 2

STATE SOCCER PLAYOFFS - 2022

7A - GIRLS

Round 1

Harrison 10, Tift Co. 0
 Alpharetta 4, Archer 1
 P'tree Ridge 3, Forsyth Cent. 1
 Campbell 6, Grayson 0
 Hillgrove 2, Camden Co. 0
 Dunwoody 1, Etowah 0
 West Forsyth 6, Collins Hill 1
 Brookwood 10, McEachern 0
 Parkview 9, Newnan 2
 Denmark 5, Mountain View 0
 Roswell 4, Meadowcreek 0
 Walton 10, Colquitt Co. 0
 East Coweta 9, S. Gwinnett 0
 Mill Creek 1, Lambert 0
 Norcross 4, Milton 1
 North Paulding 4, Lowndes 1

Round 2

Alpharetta 1, Harrison 0
 Peachtree Ridge 2, Campbell 1
 Dunwoody 2, Hillgrove 1
 West Forsyth 3, Brookwood 0
 Denmark 1, Parkview 0
 Walton 3, Roswell 2
 Mill Creek 5, East Coweta 0
 N. Paulding 3, Norcross 2

Quarterfinals

Alpharetta 2, Peachtree Ridge 0
 West Forsyth 3, Dunwoody 2
 Walton 2, Denmark 1
 Mill Creek 3, N. Paulding 0

Semifinals

West Forsyth 4, Alpharetta 1
 Mill Creek 2, Walton 1

Final

West Forsyth 3, Mill Creek 2

7A - BOYS

Round 1

Walton 5, Camden Co. 0
 Roswell 3, Discovery 1
 Peachtree Ridge 7, S. Forsyth 2
 Pebblebrook 2, S. Gwinnett 1
 Hillgrove 7, Colquitt Co. 0
 Meadowcreek 4, Woodstock 2
 Forsyth Central 1, N. Gwinnett 0
 Brookwood 1, Newnan 0
 Parkview 1, East Coweta 0
 Lambert 3, Mountain View 0
 Dunwoody 1, Milton 0
 Harrison 11, Lowndes 1
 Campbell 4, Grayson 1
 West Forsyth 1, Collins Hill 0
 Alpharetta 4, Berkmar 0
 Tift County 5, Marietta 4

Round 2

Roswell 4, Walton 3
 Pebblebrook 1, Peachtree Ridge 0
 Hillgrove 5, Meadowcreek 2
 Brookwood 2, Forsyth Central 0
 Lambert 2, Parkview 1
 Harrison 5, Dunwoody 0
 Campbell 4, West Forsyth 1
 Tift County 2, Alpharetta 1

Quarterfinals

Pebblebrook 1, Roswell 0
 Hillgrove 2, Brookwood 1
 Harrison 3, Lambert 2
 Campbell 4, Tift County 0

Semifinals

Pebblebrook 2, Hillgrove 1
 Harrison 3, Campbell 2

Final

Harrison 2, Pebblebrook 1

6A - GIRLS

Round 1

Evans 2, Valdosta 0
 River Ridge 2, Dalton 0
 Habersham Cn. 1, Kennesaw Mt. 0
 Richmond Hill 10, Westlake 0
 Heritage-Con. 2, Lee Co. 1
 Cambridge 11, Paulding Co. 1
 Pope 10, Shiloh 0
 N. Atlanta 10, Effingham Co. 0
 Lakeside-DeK. 8, S. Effingham 3
 Lassiter 5, Lanier 0
 Johns Creek 2, S. Paulding 1
 Lakeside-Evans 8, Northside-WR 0
 Glynn Academy 5, Tucker 0
 Buford 4, Wheeler 0
 Chattahoochee 2, Carrollton 0
 Houston Co. 10, Grovetown 0

Round 2

River Ridge 9, Evans 0
 Richmond Hill 5, Habersham Cn. 1
 Cambridge 10, Heritage-Con. 0
 Pope 1, North Atlanta 0
 Lassiter 3, Lakeside-DeK. 1
 Johns Creek 2, Lakeside-Evans 0
 Buford 8, Glynn Academy 0
 Chattahoochee 2, Houston Co. 1

Quarterfinals

River Ridge 4, Richmond Hill 2
 Cambridge 6, Pope 0
 Lassiter 1, Johns Creek 0
 Chattahoochee 1, Buford 0

Semifinals

Cambridge 3, River Ridge 1
 Lassiter 2, Chattahoochee 1

Final

Lassiter 1, Cambridge 0

6A - BOYS

Round 1

Lakeside-Evans 5, Houston Co. 1
 Dalton 3, Centennial 2
 Osborne 2, Dacula 0
 Glynn Academy 10, Lovejoy 0
 Evans 2, Valdosta 1
 River Ridge 2, Alexander 1
 Kennesaw Mtn. 1, Lanier 0
 Lakeside-DeK. 5, Brunswick 0
 N. Atlanta 3, S. Effingham 0
 Lassiter 4, Buford 0
 Rome 2, Johns Creek 1
 Grovetown 6, Northside-WR 1
 Tucker 6, Statesboro 0
 Central Gwinnett 3, Pope 0
 Riverwood 4, Carrollton 0
 Lee Co. 3, Heritage-Conyers 0

Round 2

Dalton 2, Lakeside-Evans 1
 Glynn Academy 1, Osborne 0
 River Ridge 7, Evans 0
 Lakeside-DeK. 3, Kennesaw Mt. 1
 Lassiter 2, North Atlanta 1
 Grovetown 4, Rome 3
 Central Gwinnett 1, Tucker 0
 Lee County 1, Riverwood 0

Quarterfinals

Dalton 3, Glynn Academy 0
 River Ridge 2, Lakeside-DeK. 1
 Lassiter 3, Grovetown 2
 Central Gwinnett 5, Lee Co. 0

Semifinals

Dalton 5, River Ridge 1
 Lassiter 2, Tift County 1

Final

Lassiter 3, Dalton 1

5A - GIRLS

Round 1

Ware Co. 3, Forest Park 2

Chamblee 10, Woodland-Bar. 0
 Loganville 7, Jackson-Atl. 2
 McIntosh 4, Jones Co. 0
 Coffee 5, Creekside 0
 Blessed Trinity 10, Clarkston 0
 Greenbrier 6, Villa Rica 0
 Northgate 7, Ola 0
 Northside-Col. 4, Union Grove 0
 Midtown 6, Eastside 1
 St. Pius X 10, Cartersville 0
 Woodward 7, Wayne Co. 0
 Starr's Mill 3, Dutchtown 0
 Jackson Co. 9, Chapel Hill 0
 Decatur 1, Calhoun 0
 Veterans 8, Tri-Cities 0

Round 2

Chamblee 10, Ware Co. 0
 McIntosh 6, Loganville 1
 Blessed Trinity 10, Coffee 0
 Northgate 3, Greenbrier 1
 Midtown 5, Northside-Col. 0
 St. Pius X 4, Woodward 1
 Jackson Co. 1, Starr's Mill 0
 Decatur 8, Veterans 1

Quarterfinals

Chamblee 6, McIntosh 2
 Blessed Trinity 3, Northgate 0
 Midtown 2, St. Pius X 1
 Decatur 3, Jackson Co. 2

Semifinals

Chamblee 3, Blessed Trinity 1
 Midtown 2, Decatur 0

Final

Chamblee 8, Midtown 1

5A - BOYS

Round 1

Forest Park 4, Wayne County 0
 St. Pius 7, Cass 0
 Clarke Central 6, N. Springs 0
 McIntosh 5, Locust Grove 0
 Ware County 4, Jonesboro 3
 Blessed Trinity 2, Decatur 1
 Villa Rica 2, Greenbrier 1
 Northgate 3, Union Grove 2
 Starr's Mill 6, Ola 1
 Midtown 8, Apalachee 0
 Northview 2, Calhoun 1
 Woodward 3, Coffee 0
 Woodland-Henry 3, Whitewater 2
 Johnson-Gain 5, Chapel Hill 2
 Cartersville 3, Cross Keys 2
 Veterans 2, Drew 0

Round 2

St. Pius 4, Forest Park 0
 McIntosh 2, Clarke Central 0
 Blessed Trinity 9, Ware Co. 0
 Northgate 2, Villa Rica 1
 Midtown 1, Starr's Mill 0
 Woodward 3, Northview 1
 Johnson-Gain. 3, Woodland-Hen. 0
 Veterans 5, Cartersville 1

Quarterfinals

St. Pius 3, McIntosh 2
 Blessed Trinity 2, Northgate 0
 Woodward 1, Midtown 0
 Johnson-Gaines. 6, Veterans 1

Semifinals

St. Pius 4, Blessed Trinity 3
 Johnson-Gaines. 6, Woodward 5

Final

Johnson-Gaines. 4, St. Pius 2

4A - GIRLS

Round 1

New Hampstead 2, Cairo 1
 Luella 5, Pickens 4
 Jefferson 11, Hapeville 0
 Columbus 10, Baldwin 0

Bainbridge 11, Jenkins 0
 NW Whitfield 10, Hampton 0
 Madison Co. 1, Druid Hills 0
 Perry 10, Spencer 0
 Spalding 4, Troup 0
 Marist 7, East Hall 0
 SE Whitfield 9, Fayette Co. 1
 Islands 8, Westover 3
 LaGrange 7, West Laurens 0
 N. Oconee 12, Arabia Mtn. 0
 Heritage-Cat. 5, Mt Zion-Jones. 0
 Thomas County Central, BYE

Round 2

Luella 7, New Hampstead 0
 Jefferson 2, Columbus 1
 NW Whitfield 4, Bainbridge 0
 Madison Co. 3, Perry 1
 Marist 10, Spalding 0
 SE Whitfield 7, Islands 0
 North Oconee 8, LaGrange 0
 Heritage-Cat. 5, Thomas Co. Cn. 0

Quarterfinals

Jefferson 10, Luella 0
 NW Whitfield 2, Madison Co. 0
 Marist 6, SE Whitfield 0
 North Oconee 4, Heritage-Cat. 0

Semifinals

Jefferson 5, NW Whitfield 0
 Marist 3, North Oconee 0

Final

Marist 1, Jefferson 0

4A - BOYS

Round 1

Islands 3, Bainbridge 0
 Cedartown 3, Mt Zion-Jones. 0
 Jefferson 8, Stephenson 0
 Columbus 10, Rutland 0
 Cairo 10, Jenkins 0
 SE Whitfield 10, Hampton 0
 Marist 1, Flowery Branch 0
 West Laurens 9, Spencer 0
 Spalding 2, Troup 0
 East Hall 2, Druid Hills 1
 Pickens 11, Luella 1
 Benedictine 10, Dougherty 0
 LaGrange 5, Perry 1
 North Oconee 6, Mays 0
 NW Whitfield 10, Fayette Co. 0
 Thomas Co. Cn. 10, New Hamp. 0

Round 2

Cedartown 3, Islands 2
 Columbus 2, Jefferson 1
 SE Whitfield 7, Cairo 0
 West Laurens 1, Marist 0
 East Hall 3, Spalding 2
 Benedictine 3, Pickens 2
 North Oconee 3, LaGrange 2
 NW Whitfield 2, Thomas Co Cn. 1

Quarterfinals

Columbus 2, Cedartown 0
 SE Whitfield 5, West Laurens 1
 East Hall 3, Benedictine 0
 NW Whitfield 4, North Oconee 1

Semifinals

SE Whitfield 3, Columbus 1
 NW Whitfield 5, East Hall 1

Final

SE Whitfield 2, NW Whitfield 1

3A - GIRLS

Round 1

SE Bulloch 6, Long Co. 0
 Westminster 10, East Forsyth 0
 Coahuilla Cr 2, East Jackson 1
 Jackson 13, Thomson 0
 Appling Co. 5, Liberty Co. 0
 Cherokee Blf. 10, Cedar Grove 0
 Stephens Co. 5, Ringgold 0

STATE SOCCER PLAYOFFS - 2022

Morgan Co. 2, Crisp Co. 0
 Mary Persons 8, Richmond Ac. 1
 Monroe Area 4, Lakeview-Ft Og. 2
 GACS 5, White County 0
 Savannah Arts 9, Brantley Co. 0
 Pike County 7, Harlem 0
 Oconee Co. 8, North Murray 0
 Lumpkin Co. 11, Sandy Creek 1
 Pierce Co. 9, Windsor Forest 0

Round 2

Westminster 10, SE Bulloch 0
 Jackson 6, Coahulla Creek 0
 Cherokee Blf. 10, Appling Co. 0
 Morgan Co. 2, Stephens Co. 1
 Mary Persons 6, Monroe Area 2
 GACS 10, Savannah Arts 0
 Oconee Co. 2, Pike Co. 1
 Lumpkin Co. 3, Pierce Co. 0

Quarterfinals

Westminster 10, Jackson 0
 Cherokee Bluff 7, Morgan Co. 1
 GACS 5, Mary Persons 0
 Oconee Co. 2, Lumpkin Co. 0

Semifinals

Westminster 11, Cherokee Bluff 1
 GACS 3, Oconee County 0

Final

Westminster 4, GACS 0

3A - BOYS

Round 1

Windsor Forest 3, Pierce Co. 2
 GACS 5, Cherokee Bluff 1
 East Jackson 3, Sonoraville 0
 Pike Co. 10, Hephzibah 0
 Savannah Arts 2, Long Co. 1
 West Hall 10, Salem 0
 Coahulla Creek 4, Monroe Area 2
 Morgan County 2, Jackson 1
 Peach County 3, Harlem 2
 North Murray 2, Hart Co. 1
 Westminster 8, Gilmer 0
 SE Bulloch 2, Appling Co. 0
 Mary Persons 2, Richmond Ac. 0
 Oconee Co. 6, Murray Co. 0
 East Forsyth 6, Sandy Creek 2
 Tatttnall Co. 9, Groves 0

Round 2

GACS 9, Windsor Forest 0
 Pike Co. 4, East Jackson 2
 West Hall 3, Savannah Arts 0
 Coahulla Creek 1, Morgan Co. 0
 North Murray 2, Peach Co. 1
 Westminster 6, SE Bulloch 1
 Oconee Co. 6, Mary Persons 0
 East Forsyth 2, Tatttnall Co. 1

Quarterfinals

GACS 1, Pike County 0
 West Hall 4, Coahulla Creek 0
 Westminster 4, N. Murray 0
 Oconee Co. 2, East Forsyth 1

Semifinals

GACS 3, West Hall 1
 Oconee Co. 1, Westminster 0

Final

GACS 3, Oconee County 1

2A - GIRLS

Round 1

Bleckley Co. 5, Cook 1
 Bremen 10, Gordon Central 0
 Elbert Co. 2, Elite Scholars 1
 Jeff Davis 10, Johnson-Aug. 0
 Thomasville 3, Jasper County 2
 Fannin Co. 9, Haralson Co. 0
 Pace Acad. 10, Rabun Co. 0
 Oglethorpe Co. 8, Toombs Co. 0

Putnam Co. 3, Bacon Co. 2
 Lovett 11, Banks County 1
 Dade County 2, Callaway 0
 Lamar County 7, Worth Co. 0
 East Laurens 11, Laney 0
 Union County 10, Therrell 0
 Model 9, Temple 0
 Fitzgerald 10, Washington Co. 0

Round 2

Bremen 10, Bleckley Co. 0
 Jeff Davis 7, Elbert Co. 2
 Fannin Co. 4, Thomasville 1
 Pace Acad. 6, Oglethorpe Co. 0
 Lovett 10, Putnam County 0
 Lamar County 2, Dade County 0
 Union Co. 4, East Laurens 1
 Fitzgerald 5, Model 2

Quarterfinals

Bremen 10, Jeff Davis 0
 Pace Academy 8, Fannin Co. 0
 Lovett 6, Lamar County 0
 Fitzgerald 4, Union Co. 2

Semifinals

Pace Academy 3, Bremen 2
 Lovett 10, Fitzgerald 0

Final

Lovett 2, Pace Academy 1

2A - BOYS

Round 1

Berrien 3, Dodge County 2
 Bremen 7, Pepperell 0
 Rabun County 6, Towers 0
 Toombs Co. 6, Glenn Hills 3
 Fitzgerald 3, Washington Co. 1
 Gordon Cent. 9, Haralson Co. 0
 Pace Acad. 11, Riverside Mil. 1
 Vidalia 2, Putnam Co. 1
 Bacon Co. 4, Oglethorpe Co. 1
 Lovett 1, Elbert County 0
 Callaway 2, Model 1
 Lamar Co. 9, Worth County 4
 Woodville-Tom. 7, Jefferson Co. 1
 Union Co. 8, Elite Scholars 2
 Coosa 10, Temple 0
 Thomasville 7, Bleckley Co. 0

Round 2

Bremen 10, Berrien 0
 Toombs Co. 2, Rabun Co. 0
 Gordon Cent 2, Fitzgerald 0
 Pace Acad 10, Vidalia 0
 Lovett 3, Bacon Co. 0
 Lamar Co. 4, Callaway 1
 Union Co. 3, Woodville-Tomp 2
 Coosa 4, Thomasville 3

Quarterfinals

Bremen 6, Toombs Co. 0
 Pace Acad. 5, Gordon Cent. 3
 Lovett 9, Lamar County 0
 Coosa 3, Union County 0

Semifinals

Pace Academy 5, Bremen 1
 Lovett 1, Coosa 0

Final

Pace Academy 1, Lovett 0

A (Public) - GIRLS

Round 1

Claxton, BYE
 Chattahoochee County, BYE
 Commerce 8, Trion 1
 Montgomery Co. 2, Atkinson Co. 0
 McIntosh Co. Academy, BYE
 ACE Charter, BYE
 Towns County 1, Armuchee 0
 Treutlen 2, Lanier County 0
 Johnson Co. 4, Echols Co. 0

Atl. Classical 8, Lk Oconee Ac. 0
 Georgia Military 1, Manchester 0
 Screven County, BYE
 Irwin County 4, Dublin 3
 Social Circle 10, Drew Charter 0
 Crawford County, BYE
 Metter, BYE

Round 2

Claxton 3, Chattahoochee Co. 2
 Commerce 14, Montgomery Co. 0
 ACE Char. 2, McIntosh Co. Ac. 0
 Towns Co. 5, Treutlen 0
 Atl. Classical 11, Johnson Co. 0
 Screven Co. 7, Georgia Military 1
 Social Circle 10, Irwin Co. 0
 Metter 5, Crawford Co. 1

Quarterfinals

Commerce 10, Claxton 0
 Towns Co. 1, ACE Charter 0
 Atl. Classical 10, Screven Co. 0
 Social Circle 7, Metter 0

Semifinals

Commerce 5, Towns Co. 1
 Social Circle 3, Atl. Classical 1

Final

Social Circle 6, Commerce 4

A (Private) - GIRLS

Round 1

Sav. Cty. Day 2, Mt. de Sales 1
 Holy Innocents' 10, Darlington 0
 Lakeview Ac. 6, George Walton 1
 Paideia 9, Heritage-Newnan 0
 First Presb 3, Calvary Day 1
 Atlanta Inter. 4, Mt. Paran 1
 Fellowship Chr. 10, Prince Ave.0
 Brookstone 10, ELCA 0
 Trinity Chr. 3, Landmark Chr. 0
 Pinecrest Academy, BYE
 Wesleyan 8, Walker 1
 St. Vincents 5, Strong Rock 0
 Whitefield Ac. 2, St. Anne-Pacelli 1
 Athens Academy 3, Mt Pisgah 0
 Mt Vernon 4, N. Cobb Chr. 1
 Stratford 10, Savannah Christ. 0

Round 2

Holy Innocents' 3, Sav. Cty. Day 0
 Paideia 4, Lakeview Academy 0
 Atlanta Inter. 3, First Presby. 2
 Brookstone 4, Fellowship Chr. 2
 Pinecrest Acad. 2, Trinity Chr. 0
 Wesleyan 4, St. Vincents 0
 Athens Acad. 4, Whitefield Acad. 1
 Stratford Acad. 8, Mt. Vernon 2

Quarterfinals

Holy Innocents' 5, Paideia 0
 Brookstone 2, Atlanta Inter. 1
 Pinecrest Acad. 3, Wesleyan 1
 Athens Acad. 8, Stratford Acad. 2

Semifinals

Holy Innocents' 3, Brookstone 0
 Pinecrest Acad. 3, Athens Acad. 2

Final

Pinecrest 1, Holy Innocents' 0

A (Public) - BOYS

Round 1

Portal, BYE
 Chattahoochee County, BYE
 Lk Oconee Acad. 1, Armuchee 0
 Atkinson Co. 5, Hawkinsville 0
 Metter, BYE
 ACE Charter, BYE
 Drew Charter 6, Commerce 0
 Dooly Co. 2, Echols Co. 1
 Lanier Co. 3, Dublin 2
 Dalton Academy 3, Barrow 0

Macon Co. 2, Crawford Co. 0
 Claxton, BYE
 Brooks Co. 2, Montgomery Co. 1
 Trion 3, Social Circle 1
 Georgia Military College, BYE
 Bryan Co, BYE

Round 2

Portal 3, Chattahoochee Co. 2
 Lk Oconee Acad. 2, Atkinson Co. 1
 ACE Charter 7, Metter 1
 Drew Charter 2, Dooly Co. 0
 Dalton Academy 9, Lanier Co. 0
 Claxton 4, Macon Co. 1
 Trion 6, Brooks Co. 0
 Georgia Military 10, Bryan Co. 0

Quarterfinals

Lake Oconee Acad. 4, Portal 2
 Drew Charter 1, ACE Charter 0
 Dalton Academy 5, Claxton 0
 Georgia Military 2, Trion 1

Semifinals

Drew Chart. 3, Lk Oconee Acad. 2
 Dalton Acad. 5, Ga. Military 1

Final

Dalton Acad. 4, Drew Charter 2

A (Private) - BOYS

Round 1

Savannah Chr. 3, Mt. de Sales 1
 Atl. Inter. 10, N. Cobb Chr. 0
 King's Ridge 2, Prince Avenue 1
 Paideia 3, Brookstone 0
 Calvary Day 2, Tatttnall Square 1
 Walker 3, Mt. Vernon 2
 Fellowship Chr. 7, Tallulah Falls 1
 Pacelli 9, Our Lady Mercy 1
 Heritage-Newnan 3, ELCA 0
 Pinecrest 9, Loganville Chr. 0
 Providence Chr. 10, Mt Paran 0
 Sav. Cty Day 6, Deerfield-Win. 0
 Landmark Chr. 5, Trinity Chr. 0
 Athens Academy 4, Mt Pisgah 0
 Wesleyan 3, Christian Heritage 2
 First Presbyterian 3, Aquinas 0

Round 2

Atl. Inter. 10, Savannah Chr. 0
 Paideia 5, King's Ridge 1
 Walker 3, Calvary Day 1
 Pacelli 8, Fellowship Christ. 1
 Pinecrest 3, Heritage-Newnan 1
 Providence Chr. 3, Sav. Cty. Day
 Athens Acad. 4, Landmark Chr. 1
 First Presbyterian 2, Wesleyan 1

Quarterfinals

Atl. International 2, Paideia 0
 St. Anne-Pacelli 5, Walker 1
 Pinecrest 2, Providence Chr. 1
 Athens Acad. 8, First Presby. 1

Semifinals

Atlanta Int 5, St. Anne-Pacelli 0
 Athens Academy 2, Pinecrest 1

Final

Atlanta Inter. 5, Athens Acad. 3

STATE FASTPITCH SOFTBALL PLAYOFFS - 2021

7A

First Round

North Paulding.....	12,9	Tift County.....	4,0
Cherokee.....	16,19	Norcross.....	4,0
Peachtree Ridge.....	2,8	South Forsyth.....	1,5
East Coweta.....	5,9	Brookwood.....	1,4
Hillgrove.....	6,7	Lowndes.....	4,4
Etowah.....	11,10	Archer.....	4,2
Lambert.....	4,9	Mountain View.....	0,6
Parkview.....	9,10	Campbell.....	2,0
Grayson.....	12,10	McEachern.....	0,0
Mill Creek.....	5,5	North Forsyth.....	3,2
Milton.....	12,7	Duluth.....	4,1
Harrison.....	1,11,11	Camden Co.....	4,1,0
Newnan.....	2,2	Newton.....	1,0
North Gwinnett.....	6,4	Denmark.....	2,3
Woodstock.....	8,3	Dunwoody.....	0,2
Colquitt Co.....	8,10	Walton.....	0,1

Second Round

Cherokee.....	4,8	North Paulding.....	1,6
East Coweta.....	11,11	Peachtree Ridge.....	2,0
Hillgrove.....	9,5	Etowah.....	2,4
Lambert.....	9,9	Parkview.....	0,0
Mill Creek.....	5,2,6	Grayson.....	6,1,4
Milton.....	5,12	Harrison.....	0,1,1
North Gwinnett.....	1,5	Newnan.....	0,0
Colquitt Co.....	4,10	Woodstock.....	2,4

Elite Eight - Winner's Bracket

Milton.....	7	Mill Creek.....	2
North Gwinnett.....	12	Colquitt County.....	0
East Coweta.....	1	Cherokee.....	0
Lambert.....	4	Hillgrove.....	0
North Gwinnett.....	10	Milton.....	0
East Coweta.....	8	Lambert.....	1
North Gwinnett.....	8	East Coweta.....	0

Elite Eight - Loser's Bracket

Mill Creek.....	8	Colquitt County.....	5
Cherokee.....	18	Hillgrove.....	5
Mill Creek.....	7	Lambert.....	2
Cherokee.....	9	Milton.....	0
Mill Creek.....	7	Cherokee.....	5
East Coweta.....	15	Mill Creek.....	3

Final

North Gwinnett.....	7	East Coweta.....	2
---------------------	---	------------------	---

6A

First Round

Grovetown.....	12,16	Northside-WR.....	0,3
Cambridge.....	4,6	East Paulding.....	0,4
Buford.....	3,13	Kell.....	0,4
Effingham Co.....	15,20	Lovejoy.....	0,0
Houston Co.....	3,10,5	Lakeside-Evans.....	8,2,4
Creekview.....	9,11	Carrollton.....	1,2
Lassiter.....	8,9	Winder-Barrow.....	0,0
Glynn Academy.....	2,7	North Atlanta.....	0,6
South Effingham.....	18,8	Lakeside-DeKalb.....	0,0
Pope.....	9,12	Habersham Central.....	0,1
River Ridge.....	3,11	Alexander.....	1,0
Evans.....	16,15	Valdosta.....	0,0
Richmond Hill.....	8,11	Tucker.....	0,0
Dacula.....	3,8	Kennesaw Mountain.....	2,6
Sequoyah.....	2,7	South Paulding.....	1,1
Lee County.....	5,10	Alcovy.....	2,1

Second Round

Cambridge.....	3,11	Grovetown.....	2,0
Buford.....	9,6	Effingham Co.....	0,0
Creekview.....	8,11	Houston Co.....	0,5
Lassiter.....	4,17	Glynn Academy.....	1,0
Pope.....	8,5	South Effingham.....	0,2
River Ridge.....	5,7	Evans.....	1,2
Dacula.....	6,7	Richmond Hill.....	5,1
Sequoyah.....	6,11	Lee County.....	4,2

Elite Eight - Winner's Bracket

River Ridge.....	7	Pope.....	2
Sequoyah.....	4	Dacula.....	3
Cambridge.....	3	Buford.....	1
Lassiter.....	1	Creekview.....	0
River Ridge.....	3	Sequoyah.....	3
Lassiter.....	8	Cambridge.....	3
Lassiter.....	3	River Ridge.....	1

Elite Eight - Loser's Bracket

Pope.....	12	Dacula.....	9
Buford.....	2	Creekview.....	1
Pope.....	6	Cambridge.....	5
Buford.....	6	Sequoyah.....	4
Pope.....	6	Buford.....	1
River Ridge.....	7	Pope.....	6

Final

Lassiter.....	7	River Ridge.....	4
---------------	---	------------------	---

5A

First Round

Coffee.....	2,17	Mundy's Mill.....	0,2
Chamblee.....	7,2	Cass.....	3,1
Eastside.....	15,20	Lithia Springs.....	0,1
Northside-Columbus.....	14,11	Union Grove.....	2,1
Ware County.....	19,23	Jonesboro.....	0,0

Blessed Trinity.....	12,12	Northview.....	0,4
Walnut Grove.....	9,10	Chapel Hill.....	0,1
Jones County.....	6,3	Northgate.....	0,2
Starr's Mill.....	5,8	Locust Grove.....	2,0
Jackson County.....	12,6	North Springs.....	0,1
Woodland-Bartow.....	3,6	St. Pius.....	2,4
Wayne County.....	20,12	Woodward.....	7,0
Ola.....	2,7,2	Whitewater.....	3,4,1
Loganville.....	10,13	Villa Rica.....	2,3
Calhoun.....	12,11	Decatur.....	2,1
Veterans.....	17,17	Creekside.....	0,0

Second Round

Chamblee.....	15,10	Coffee.....	3,2
Northside-Columbus.....	3,10,5	Eastside.....	2,11,0
Blessed Trinity.....	11,12	Ware County.....	3,3
Jones County.....	2,14	Walnut Grove.....	1,2
Starr's Mill.....	7,5	Jackson County.....	0,2
Woodland-Bartow.....	7,18	Wayne County.....	4,6
Loganville.....	5,5,14	Ola.....	7,2,4
Calhoun.....	10,8	Veterans.....	1,0

Elite Eight - Winner's Bracket

Starr's Mill.....	4	Woodland-Bartow.....	0
Loganville.....	12	Calhoun.....	2
Northside-Columbus.....	13	Chamblee.....	8
Jones County.....	11	Blessed Trinity.....	0
Starr's Mill.....	3	Loganville.....	1
Northside-Columbus.....	3	Jones County.....	1
Starr's Mill.....	2	Northside-Columbus.....	0

Elite Eight - Loser's Bracket

Woodland-Bartow.....	5	Calhoun.....	4
Blessed Trinity.....	11	Chamblee.....	2
Woodland-Bartow.....	11	Jones County.....	0
Loganville.....	4	Blessed Trinity.....	0
Loganville.....	6	Woodland-Bartow.....	0
Northside-Columbus.....	12	Loganville.....	7

Final

Starr's Mill.....	9	Northside-Columbus.....	0
-------------------	---	-------------------------	---

4A

First Round

Cairo.....	15,7	Jenkins.....	3,1
Cedartown.....	4,5	Hampton.....	3,4
Madison County.....	13,22	Druid Hills.....	0,2
Columbus.....	20,12	Baldwin.....	0,1
Bainbridge.....	13,24	New Hampstead.....	5,1
Central-Carroll.....	16,16	Mt Zion-Jonesboro.....	0,0
Jefferson.....	16,12	Arabia Mountain.....	4,4
West Laurens.....	10,12	Shaw.....	0,1
Perry.....	4,5,14	LaGrange.....	1,6,2
Flowery Branch.....	5,2	Marist.....	2,1
NW Whitfield.....	2,0,6	Luella.....	1,3,0
Islands.....	17,9	Dougherty.....	0,1
Troup.....	12,10	Howard.....	6,1
North Oconee.....	15,19	Mays.....	0,0
Heritage-Catoosa.....	15,17	Fayette County.....	0,0
Thomas County Central.....	Bye		

Second Round

Cedartown.....	4,15,13	Cairo.....	5,4,4
Madison County.....	11,8	Columbus.....	6,0
Central-Carroll.....	11,12	Bainbridge.....	0,2
West Laurens.....	5,3,7	Jefferson.....	0,6,1
Flowery Branch.....	12,8	Perry.....	0,3
NW Whitfield.....	9,4	Islands.....	0,0
North Oconee.....	13,8	Troup.....	5,0
Heritage-Catoosa.....	4,7	Thomas County Central.....	0,1

Elite Eight - Winner's Bracket

Flowery Branch.....	4	NW Whitfield.....	0
Heritage-Catoosa.....	7	North Oconee.....	4
Madison County.....	13	Cedartown.....	4
Central-Carroll.....	6	West Laurens.....	2
Heritage-Catoosa.....	9	Flowery Branch.....	8
Central-Carroll.....	5	Madison County.....	3
Central-Carroll.....	8	Heritage-Catoosa.....	7

Elite Eight - Loser's Bracket

North Oconee.....	9	NW Whitfield.....	6
West Laurens.....	8	Cedartown.....	0
North Oconee.....	12	Madison County.....	7
West Laurens.....	3	Flowery Branch.....	1
North Oconee.....	2	West Laurens.....	0
North Oconee.....	6	Heritage-Catoosa.....	5

Final

Central-Carroll.....	4	North Oconee.....	2
----------------------	---	-------------------	---

3A

First Round

Tattnall County.....	16,12	Liberty County.....	0,0
Dawson County.....	8,6	Westminster.....	2,1
Oconee County.....	1,11,9	Rockmart.....	3,4,8
Pike County.....	13,8	Burke County.....	5,0
Pierce County.....	22,23	Windsor Forest.....	0,0
East Forsyth.....	15,20	Cedar Grove.....	1,3
LaFayette.....	7,6	East Jackson.....	1,2
Harlem.....	13,9	Upson-Lee.....	5,1
Morgan County.....	3,5	Crisp County.....	2,3
Sonoraville.....	3,6	Hart County.....	0,2
White County.....	14,15	Sandy Creek.....	1,0
SE Bulloch.....	2,9	Brantley County.....	1,1

STATE FASTPITCH SOFTBALL PLAYOFFS - 2021

Jackson	3,14	Thomson	0,0
Ringgold	3,8	Franklin County	1,5
Cherokee Bluff	12,17	GACS	0,0
Appling County	18,21	Johnson-Savannah	0,0

Second Round

Dawson County	2,7,3	Tattnall County	3,6,0
Pike County	5,7	Oconee County	4,2
Pierce County	4,6,7	East Forsyth	5,5,5
Harlem	3,7	LaFayette	2,6
Sonoraville	7,9	Morgan County	1,2
SE Bulloch	2,6	White County	0,2
Jackson	3,19	Ringgold	2,3
Appling County	10,8	Cherokee Bluff	1,1

Elite Eight - Winner's Bracket

Sonoraville	1	SE Bulloch	0
Appling County	2	Jackson	1
Dawson County	13	Pike County	5
Harlem	7	Pierce County	2
Sonoraville	1	Appling County	0
Harlem	8	Dawson County	0
Sonoraville	1	Harlem	0

Elite Eight - Loser's Bracket

SE Bulloch	3	Jackson	2
Pike County	15	Pierce County	7
SE Bulloch	9	Dawson County	0
Appling County	11	Pike County	7
Appling County	2	SE Bulloch	0
Appling County	1	Harlem	0

Final

Appling County	3,4	Sonoraville	2,1
----------------	-----	-------------	-----

2A

First Round

Bleckley County	11,11	Fitzgerald	1,0
Bremen	10,3	Coosa	2,0
Elbert County	12,18	Washington	0,0
Vidalia	15,24	Josey	0,0
Cook	6,8	Lamar County	3,0
Dade County	16,12	Callaway	5,0
Union County	7,13,5	Pace Academy	4,21,1
Toombs County	4,7,3	Oglethorpe County	7,2,2
Bacon County	7,9	Jefferson County	1,1
Lovett	9,13	Rabun County	5,1
Heard County	7,13,9	Pepperell	9,2,1
Dodge County	15,19	Thomasville	4,5
Jeff Davis	12,16	Putnam County	0,0
Banks County	15,18	C.S. King	0,0
Chattooga	8,4	Haralson County	1,3
Berrien	16,15	Jasper County	1,0

Second Round

Bremen	7,3	Bleckley County	0,0
Vidalia	6,5	Elbert County	0,4
Dade County	5,16	Cook	4,7
Union County	9,13	Toombs County	4,7
Lovett	8,14	Bacon County	7,0
Heard County	14,13	Dodge County	13,8
Jeff Davis	2,8	Banks County	0,0
Chattooga	12,7,8	Berrien	6,22,7

Elite Eight - Winner's Bracket

Heard County	11	Lovett	0
Jeff Davis	11	Chattooga	1
Bremen	6	Vidalia	4
Dade County	5	Union County	2
Heard County	11	Jeff Davis	0
Dade County	10	Bremen	6
Heard County	10	Dade County	1

Elite Eight - Loser's Bracket

Lovett	8	Chattooga	2
Vidalia	15	Union County	1
Bremen	12	Lovett	0
Vidalia	2	Jeff Davis	1
Vidalia	5	Bremen	2
Vidalia	8	Dade County	4

Final

Heard County	10	Vidalia	6
--------------	----	---------	---

Class A (Public)

First Round

Portal	9,6	Baconton	2,4
Crawford County	6,15	Marion County	2,0
Commerce	8,15	Armuchee	0,0
Lanier County	10,10	Hawkinsville	0,0
Bryan County	9,12	Seminole County	0,0
ACE Charter	12,14	Manchester	0,1
Trion	6,7	Washington-Wilkes	0,2
Telfair County	16,8	Brooks County	0,0
Johnson County	6,8	Irwin County	2,3
Gordon Lee	12,13	Lake Oconee Academy	0,0
Schley County	0,15,6	Glascok County	7,3,5
Emanuel County Institute	21,8	Pataula Charter	0,0
Charlton County	8,10	Wilcox County	5,3
Social Circle	8,9	Bowdon	0,0
Georgia Military College	6,12	Taylor County	1,0
Screven County	11,12	Pelham	2,0

Second Round

Crawford County	5,7	Portal 4,2	
Lanier County	9,6,3	Commerce	1,14,2

ACE Charter	4,8	Bryan County	0,4
Telfair County	1,8	Trion	0,0
Gordon Lee	10,18	Johnson County	2,0
Emanuel County Institute	6,3	Schley County	0,2
Social Circle	3,14	Charlton County	2,7
Screven County	5,7,5	Georgia Military College	0,17,1

Elite Eight - Winner's Bracket

Emanuel County Institute	4	Gordon Lee	1
Social Circle	8	Screven County	0
Lanier County	8	Crawford County	0
ACE Charter	5	Telfair County	2
Emanuel County Institute	2	Social Circle	1
ACE Charter	3	Lanier County	0
ACE Charter	5	Emanuel County Institute	2

Elite Eight - Loser's Bracket

Gordon Lee	12	Screven County	0
Crawford County	11	Telfair County	2
Gordon Lee	2	Lanier County	0
Social Circle	20	Crawford County	6
Gordon Lee	10	Social Circle	5
Gordon Lee	5	Emanuel County Institute	1

Final

ACE Charter	7	Gordon Lee	0
-------------	---	------------	---

Class A (Private)

First Round

Prince Avenue	8,10	Calvary Day	0,1
Mt. Vernon	Bye		
First Presbyterian	10,13	Landmark Christian	9,8
Mt. Paran	Bye		
Trinity Christian	6,19	Whitefield Academy	2,10
George Walton	Bye		
Mt. Pisgah	6,7	Holy Innocents'	2,6
Strong Rock	Bye		
Mt. de Sales	7,10	Galloway	1,2
Brookstone	Bye		
Hebron Christian	12,14	North Cobb Christian	0,0
Tattnall Square	Bye		
ELCA	14,14	Providence	0,0
Stratford Academy	Bye		
Savannah Christian	8,15	Darlington	2,6
Wesleyan	Bye		

Second Round

Mt. Vernon	5,4,5	Prince Avenue	1,7,3
Mt. Paran	8,12	First Presbyterian	0,0
George Walton	9,11	Trinity Christian	1,0
Strong Rock	8,9	Mt. Pisgah	0,0
Brookstone	8,17	Mt. de Sales	0,7
Tattnall Square	9,14	Hebron Christian	2,4
ELCA	2,7	Stratford Academy	1,6
Wesleyan	13,16	Savannah Christian	0,0

Elite Eight - Winner's Bracket

Mt. Vernon	7	Mt. Paran	5
George Walton	9	Strong Rock	2
Tattnall Square	10	Brookstone	5
Wesleyan	2	ELCA	1
George Walton	2	Mt. Vernon	1
Wesleyan	3	Tattnall Square	0
Wesleyan	4	George Walton	0

Elite Eight - Loser's Bracket

Mt. Paran	6	Strong Rock	2
ELCA	7	Brookstone	3
Tattnall Square	9	Mt. Paran	4
ELCA	7	Mt. Vernon	6
ELCA	8	Tattnall Square	7
George Walton	8	ELCA	4

Final

Wesleyan	4,3	George Walton	6,0
----------	-----	---------------	-----

SLOW PITCH PLAYOFFS - 2022

Round 1

Haralson County	23	Oconee County	2
Cherokee	8	Dodge County	2
West Laurens	14	Hart County	4
Etowah	9	North Oconee	7

Winner's Bracket

Haralson County	3	Cherokee	2
West Laurens	15	Etowah	0
Haralson County	6	West Laurens	1

Loser's Bracket

Dodge County	6	Oconee County	5
Hart County	7	North Oconee	3
Dodge County	7	Etowah	3
Cherokee	6	Hart County	5
Cherokee	11	Dodge County	10
Cherokee	8	West Laurens	7

Final

Haralson County	18	Cherokee	15
-----------------	----	----------	----

STATE SWIMMING MEET - 2022

Class 7A Boys

200 Yard Medley Relay

1. P'TREE RIDGE 1:32.43 (Schroeder, Tyler; Tu, Charles; Conn, Nathan; Pulliam, Max)
2. PARKVIEW 1:33.01 (Dunbar, Jack; Kim, Joshua; Zhu, Andy; Wooldridge, Tyler)
3. LAMBERT 1:34.52 (Morris, Patrick; Saylor, Noah; Johnson, Ford; Kim, Youngjae)
4. BROOKWOOD 1:35.51 (Scalzi, Matthew; Simmon, Graham; Shepard, Brandon; Dopson, Bryce)

200 Yard Free

1. DenBrok, Tristan N. GWINNETT 1:37.24
2. Cook, Cooper MILTON 1:38.58
3. Roshka, Daniel MILL CREEK 1:40.88
4. Skidmore, William MILL CREEK 1:42.01

200 Yard IM

1. Morris, Patrick LAMBERT 1:50.81
2. Tu, Charles PEACHTREE RIDGE 1:52.30
3. Xiao, Thomas ALPHARETTA 1:52.78
4. Zhu, Andy PARKVIEW 1:53.12

50 Yard Free

1. Holland, Owen WEST FORSYTH 20.46
2. Coady, William MILTON 20.50
3. Dopson, Bryce BROOKWOOD 21.29
4. Pulliam, Max PEACHTREE RIDGE 21.45

1 Meter Diving

1. Bridges, Bo COLQUITT COUNTY 725.10
2. Gregory, Trip COLQUITT COUNTY 633.70
3. Gregory, Tuck COLQUITT COUNTY 605.15
4. Hoard, Tyler WALTON 605.05

100 Yard Butterfly

1. Monaghan, Eamon GAINESVILLE 48.63
2. Holland, Owen WEST FORSYTH 48.66
3. Schroeder, Tyler PEACHTREE RIDGE 48.97
4. Burnley, Blake NORTH GWINNETT 49.54

100 Yard Free

1. Coady, William MILTON 44.08
2. Cook, Cooper MILTON 44.82
3. Dunbar, Jack PARKVIEW 46.93
4. McClain, Mitch HARRISON 47.23

500 Yard Free

1. DenBrok, Tristan N. GWINNETT 4:24.78
2. Heffner, Kyle BROOKWOOD 4:33.91
3. Roshka, Daniel MILL CREEK 4:37.57
4. Wooldridge, Thomas PARKVIEW 4:38.81

200 Yard Free Relay

1. PEACHTREE RIDGE 1:24.72 (Pulliam, Max; Sukirya, Devesh; Conn, Nathan; Schroeder, Tyler)
2. PARKVIEW 1:24.75 (Dunbar, Jack; Kim, Joshua; Zhu, Andy; Wooldridge, Tyler)
3. MILTON 1:25.17 (Cook, Cooper; Schwandt, Gavin; Carr, Patrick; Coady, William)
4. WEST FORSYTH 1:25.47 (Murdock, Jack; Anderson, Cade; Egolf, Griffin; Holland, Owen)

100 Yard Backstroke

1. Morris, Patrick LAMBERT 49.71
2. Schroeder, Tyler PEACHTREE RIDGE 49.91
3. Burnley, Blake NORTH GWINNETT 50.25
4. Dunbar, Jack PARKVIEW 50.75

100 Yard Breaststroke

1. Lin, Preston NORCROSS 54.22
2. Kim, Joshua PARKVIEW 55.92
3. Xiao, Thomas ALPHARETTA 56.10
4. Tu, Charles PEACHTREE RIDGE 57.25

400 Yard Free Relay

1. N. GWINNETT 3:06.31 (DenBrok, Tristan; Wilson, Eli; Lim, Phillip; Burnley, Blake)
2. WEST FORSYTH 3:08.23 (Murdock, Jack; Anderson, Cade; Egolf, Griffin; Holland, Owen)
3. MILTON 3:08.36 (Cook, Cooper; Schwandt, Gavin; Carr, Patrick; Coady, William)
4. WALTON 3:11.25 (Snow, Connor; Cushing, Daniel; Panessa, John; Long, Liam)

Team Scores

1. Parkview.....331
2. North Gwinnett.....323
3. Walton.....280.5
4. Peachtree Ridge.....255

Class 7A Girls

200 Yard Medley Relay

1. LAMBERT 1:45.14 (Maschmeier, Sara; Zaleski, Ally; Jones, Ella; West, Kara)
2. MILL CRK. 1:46.63 (Rothwell, Vivien; Ochoa, Iris; Tashlein, Sydney; Hildebrand, Jordan)
3. BROOKWOOD 1:47.54 (Dopson, Hailey; Britt, Hayden; Weitzel, Mary Kate; Burke, Hanna)
4. WEST FORSYTH 1:47.64 (Sterkenburg, Laci; Varrone, Gianna; Van der Wall, Nanna; Luskus, Sarah)

200 Yard Free

1. Jones, Ella LAMBERT 1:49.20
2. Reiser, Emma NORTH GWINNETT 1:49.53
3. Jansons, Annalia WALTON 1:51.07
4. Tiller, Jamison NORTH GWINNETT 1:51.18

200 Yard IM

1. Isakson, Elizabeth WALTON 2:01.52
2. Starnes, Sydney WALTON 2:05.74
3. Jenny, Morgan NORTH GWINNETT 2:05.81
4. Zaleski, Ally LAMBERT 2:07.66

50 Yard Free

1. West, Kara LAMBERT 23.17
2. Gilson, Natalie DENMARK 23.48
3. Damron, Allison CAMPBELL 23.49
4. Herman, Katie SOUTH FORSYTH 24.04

1 Meter Diving

1. McCranie, Ruth Anne COLQUITT CO. 580.45
2. Cummo, Michelle WEST FORSYTH 542.65
3. Icard, Shannon COLQUITT COUNTY 521.50
4. Brothers, Chloe BROOKWOOD 517.85

100 Yard Fly

1. Choate, Catie NORCROSS 54.24
2. Jones, Ella LAMBERT 55.33
3. Thompson, Jayla COLLINS HILL 56.00
4. Rothwell, Vivien MILL CREEK 56.94

100 Yard Free

1. West, Kara LAMBERT 50.99
2. Alderman, Lily WALTON 51.90
3. Hinton, Lauren ALPHARETTA 52.01
4. Tiller, Jamison NORTH GWINNETT 52.03

500 Yard Free

1. Reiser, Emma NORTH GWINNETT 4:53.04
2. Starnes, Sydney WALTON 4:59.20
3. Thompson, Charlotte MTN. VIEW 4:59.73
4. Jansons, Annalia WALTON 5:01.06

200 Yard Free Relay

1. WALTON 1:36.24 (Jansons, Annalia; Alston, Maia; Alderman, Lily; Isakson, Elizabeth)
2. CAMPBELL 1:38.71 (Hodgson, Julia; Caceres, Sophia; Yahne, Olivia; Damron, Allison)
3. MILL CREEK 1:39.35 (Thompson, Tristen; Smith, Anna; Smith, Grace; Ochoa, Iris)
4. WEST FORSYTH 1:39.69 (Van der Wall, Nanna; Varrone, Gianna; Luskus, Sarah; Sterkenburg, Laci)

100 Yard Backstroke

1. Choate, Catie NORCROSS 53.39
2. Alderman, Lily WALTON 57.15
3. Dopson, Hailey BROOKWOOD 57.28
4. Morton, Ashley NORTH GWINNETT 57.80

100 Yard Breaststroke

1. Isakson, Elizabeth WALTON 1:01.84
2. Damron, Allison CAMPBELL 1:03.52
3. Jenny, Morgan NORTH GWINNETT 1:04.15
4. Varrone, Gianna WEST FORSYTH 1:04.82

400 Yard Free Relay

1. WALTON 3:28.78 (Starnes, Sydney; Jansons, Annalia; Alderman, Lily; Isakson, Elizabeth)

2. N. GWINNETT 3:29.53 (Reiser, Emma; Morton, Ashley; Jenny, Morgan; Tiller, Jamison)
3. LAMBERT 3:31.95 (Jones, Ella; Wallace, Mia; Blackstone, Sarah; West, Kara)
4. FORSYTH CENTRAL 3:32.40 (Lynch, Mina; Eaton, Kate; Scharff, Caroline; Cesario, Anna)

Team Scores

1. Walton.....367.5
2. North Gwinnett.....314
3. Lambert.....301
4. Brookwood.....294

Class 6A Boys

200 Yard Medley Relay

1. CENTENNIAL 1:31.71# (Saunders, Aidan; Bender, Justin; Sergile, Sebastien; Paek, Caleb)
2. JOHNS CREEK 1:34.91 (Bao, Daniel; Spann, Britton; Browne, Preston; Margarite, Anthony)
3. LAKESIDE-DEK. 1:36.99 (Van Valkenburg, Jack; Steinhauer, Craig; Peterson, Elijah; Higgins, Griffin)
4. RICHMOND HILL 1:37.18 (Rosales, Sebastian; Brion, Xander; Jones, Stephen; Gray, Aiden)

200 Yard Free

1. Sergile, Sebastien CENTENNIAL 1:34.05# 21.44
2. Valdez, Roman DALTON 1:35.65
3. Burch, Hudson LAKESIDE-EVANS 1:42.10
4. Gray, Aiden 10 RICHMOND HILL 1:42.23

200 Yard IM

1. Martter, Cale RIVERWOOD 1:48.50
2. Bender, Justin CENTENNIAL 1:50.96
3. Richardson, Noah LANIER 1:53.84
4. Grottle, Benjamin CAMBRIDGE 1:54.28

50 Yard Free

1. Smith, Noah ALLATOONA 20.73
2. Steinhauer, Craig LAKESIDE-DEK. 20.97
3. Sharabura, Eric NORTH ATLANTA 21.12
4. Browne, Preston JOHNS CREEK 21.39

1 Meter Diving

1. Loftin, Carter LASSITER 654.90
2. Sehorn, Nathan RIVER RIDGE 431.30

100 Yard Fly

1. Sergile, Sebastien CENTENNIAL 47.50
2. Irwin, Benjamin BUFORD 48.16
3. Jones, Stephen RICHMOND HILL 48.85
4. Browne, Preston JOHNS CREEK 50.55

100 Yard Free

1. Valdez, Roman DALTON 44.54
2. Smith, Noah ALLATOONA 46.26
3. Steinhauer, Craig LAKESIDE-DEK. 46.48
4. Sharabura, Eric NORTH ATLANTA 46.68

500 Yard Free

1. Jones, Stephen RICHMOND HILL 4:33.85
2. Van Valkenburg, Jack LAKESIDE-DE. 4:34.65
3. Spann, Britton JOHNS CREEK 4:35.97
4. Kjaerulff, Nicholas CREEKVIEW 4:37.60

200 Yard Free Relay

1. DALTON 1:25.38 (Valdez, Roman; Withrow, Cole; Haley, Will; Bearden, Jayden)
2. JOHNS CR. 1:26.44 (Perez, Nathan; Kennedy, Carson; Margarite, Anthony; Browne, Preston)
3. LAKESIDE-DEK. 1:27.73 (Steinhauer, Craig; Higgins, Griffin; Collins, Ethan; Van Valkenburg, Jack)
4. LAKESIDE-EVANS 1:28.49 (Price, Trevor; Burch, Hudson; Plantamura, Nicholas; Blanchard, William)

100 Yard Backstroke

1. Irwin, Benjamin BUFORD 47.34
2. Grottle, Benjamin CAMBRIDGE 51.19
3. Saunders, Aidan CENTENNIAL 51.65
4. Choi, Eddie CHATTAHOOCHEE 51.71

100 Yard Breaststroke

1. Bender, Justin CENTENNIAL 54.23
2. Martter, Cale RIVERWOOD 55.07

STATE SWIMMING MEET - 2022

- Richardson, Noah LANIER 55.94
- Spann, Britton JOHNS CREEK 56.23

400 Yard Free Relay

- CENTENNIAL 3:08.01 (Sergile, Sebastien; Bender, Justin; Saunders, Aidan; Paek, Caleb)
- DALTON 3:10.41 (Bearden, Jayden; Valdez, Roman; Valdez, Bruno; Calderon-Schuler, Patrick)
- RICHMOND HILL 3:11.43 (Rosales, Sebastian; Gray, Aiden; Mattison, Josh; Jones, Stephen)
- JOHNS CREEK 3:11.70 (Perez, Nathan; Daniel; Kennedy, Carson; Spann, Britton)

Team Scores

1. Johns Creek	380
2. Centennial.....	260
3. Dalton.....	244
4. Richmond Hill.....	208

Class 6A Girls

200 Yard Medley Relay

- LASSITER 1:44.99 (Tilt, Elizabeth; O'Shaughnessy, Maggie; Parker, Sophia; Carson, Francie)
- CAMBRIDGE 1:46.72 (Brison, Sophie; Gaines, Caroline; Kerber, Claire; Kerber, Kate)
- SEQUOYAH 1:47.67 (Jackson, Kelsey; Blase, Laurel; Harrison, Delaney; Blase, Lainey)
- WHEELER 1:50.23 (Marriott, Addison; Fannin, Mattie; Young, Ansley; Garrett, Mackenzie)

200 Yard Free

- Blase, Laurel SEQUOYAH 1:49.79
- Carson, Francie LASSITER 1:50.83
- Brown, Allison LASSITER 1:52.55
- O'Shaughnessy, Bridget 12 LASSITER 1:54.34

200 Yard IM

- Tilt, Elizabeth LASSITER 1:59.74
- Brison, Sophie CAMBRIDGE 2:00.87
- Kasik, Allison CENTENNIAL 2:07.72
- Stevens, Lindsay DACULA 2:09.08

50 Yard Free

- Harrison, Delaney SEQUOYAH 23.38
- Hook, Sophia LAKESIDE-DEK. 24.06
- Lila, Kaylin ALLATOONA 24.11
- Murphy, Brooke JOHNS CREEK 24.39

1 Meter Diving

- Stumpf, Hannah ALLATOONA 641.65
- Dixon, Kyler KENNESAW MTN. 541.40
- Petit, Brooklyn CAMBRIDGE 530.85
- Debowski, Ayla JOHNS CREEK 508.05

100 Yard Fly

- Tilt, Elizabeth LASSITER 53.78
- Kerber, Claire CAMBRIDGE 56.98
- Murphy, Brooke JOHNS CREEK 57.62
- Parker, Sophia LASSITER 57.82

100 Yard Free

- Harrison, Delaney SEQUOYAH 50.67
- Carson, Francie LASSITER 51.46
- Lila, Kaylin ALLATOONA 52.28
- Hook, Sophia LAKESIDE-DEK. 52.73

500 Yard Free

- Blase, Laurel SEQUOYAH 4:57.32
- Brown, Allison LASSITER 4:57.99
- O'Shaughnessy, Bridget LASSITER 5:01.11
- Kjaerulf, Victoria CREEKVIEW 5:07.67

200 Yard Free Relay

- LASSITER 1:35.91 (Bradley, Kate; Jollands, Finnly; Parker, Sophia; Brown, Allison)
- LAKESIDE-DEK. 1:38.38 (McClintock, Katelyn; Mansker, Phoebe; Baldwin, Anna; Hook, Sophia)
- CENTENNIAL 1:40.42 (Kasik, Allison; Almstedt, Anna; Born, Gabby; Colletterre, Hannah)
- POPE 1:41.15 (Balyo, Sophie; Trudeau, Tara; Tsynman, Katherine; Munroe, Payton)

100 Yard Backstroke

- Brison, Sophie CAMBRIDGE 54.27
- Jollands, Finnly LASSITER 56.91
- Stevens, Lindsay DACULA 58.07
- Bradley, Kate LASSITER 58.28

100 Yard Breaststroke

- Kasik, Allison CENTENNIAL 1:04.82
- O'Shaughnessy, Maggie LASSITER 1:05.15
- Mansker, Phoebe LAKESIDE-DEK. 1:05.57
- Fannin, Mattie WHEELER 1:06.89

400 Yard Free Relay

- LASSITER 3:27.06 (Brown, Allison; O'Shaughnessy, Bridget; Carson, Francie; Tilt, Elizabeth)
- CAMBRIDGE 3:32.76 (Kerber, Kate; Griner, Jennifer; Kerber, Claire; Brison, Sophie)
- SEQUOYAH 3:35.95 (Blase, Lainey; Jackson, Kelsey; Blase, Laurel; Harrison, Delaney)
- LAKESIDE-DEK. 3:36.05 (McClintock, Katelyn; Richards, Lyla; Mansker, Phoebe; Hook, Sophia)

Team Scores

1. Lassiter.....	544
2. Cambridge.....	339
3. Lakeside-DeKalb.....	248
4. Sequoyah.....	210

Class 4A-5A Boys

200 Yard Medley Relay

- ST. PIUS 1:36.77 (Daniels, Noah; Hudock, Ethan; Sutter, Zach; Chatfield, Jameson)
- CALHOUN 1:36.81 (Eickman, Will; Wood, Colin; Webb, Brandon; Petty, Matthew)
- MARIST 1:36.94 (Wiegand, Alexander; Kleinrock, David; Yount, Colby; Tharp, Jack)
- STARR'S MILL 1:37.45 (Roach, Seth; Sayani, Samin; Roach, Braeden; Allen, Bruce)

200 Yard Free

- Gavin, William NORTHVIEW 1:42.66
- Wiegand, Alexander MARIST 1:44.81
- Hudson, Grant MCINTOSH 1:45.87
- Cummings, Jac COLUMBUS 1:47.03

200 Yard IM

- Jones, Gavin NORTH OCONEE 1:54.33
- Bataillon, Daniel BLESSED TRIN. 1:55.30
- Hinson, Jason DECATUR 1:55.44
- Whelan, Reese BENEDICTINE 1:58.78

50 Yard Free

- Bleuez, Andrew MCINTOSH 20.83
- Petty, Matthew CALHOUN 20.91
- Butler, Brooks THOMAS CO. CENT. 21.04
- Roden, Leo NORTH SPRINGS 21.14

1 Meter Diving

- Sadler, Aiden NORTH OCONEE 687.20
- Snyder, RJ WOODWARD 637.10
- Grassi, Raines MARIST 528.60
- Galitzin, Zach WOODWARD 473.25

100 Yard Fly

- Roach, Seth STARR'S MILL 49.82
- Daniels, Noah ST. PIUS 50.80
- Sutter, Zach ST. PIUS 51.09
- Nordstrom, Benjamin MARIST 51.49

100 Yard Free

- Butler, Brooks THOMAS CO. CENT. 45.70
- Roden, Leo NORTH SPRINGS 46.08
- Bleuez, Andrew MCINTOSH 46.59
- Petty, Matthew CALHOUN 46.89

500 Yard Free

- Jones, Gavin NORTH OCONEE 4:44.27
- Rice, Thomas CHAMBLEE 4:46.43
- Dibkey, Kadin BENEDICTINE 4:50.40
- Tsepas Bucciero, Keaton MIDTOWN 4:51.83

200 Yard Free Relay

- MARIST 1:28.48 (Nordstrom, Benjamin; Tharp, Jack; Clarkson, Eli; Patin, Joseph)
- MCINTOSH 1:28.60 (Hudson, Grant; Korte, Zeke; Wilt, Carter; Bleuez, Andrew)
- WOODWARD 1:28.74 (Stepniak, Matthew; Armour, Josh; Hughey, Henry; Brevard, Will)
- NORTHVIEW 1:30.21 (Mo, JunYi; Lee, Jonathan; Jin, Daniel; Gavin, William)

100 Yard Backstroke

- Roach, Seth STARR'S MILL 50.65
- Daniels, Noah ST. PIUS 51.11
- Eberhart, Michael LOGANVILLE 53.42
- Wiegand, Alexander MARIST 54.05

100 Yard Breaststroke

- Eickman, Will CALHOUN 58.45
- Whelan, Reese BENEDICTINE 59.41
- Nordstrom, Benjamin MARIST 59.67
- Sayani, Samin STARR'S MILL 59.67

400 Yard Free Relay

- MARIST 3:09.60 (Yount, Colby; Patin, Joseph; Wiegand, Alexander; Nordstrom, Benjamin)
- ST. PIUS 3:14.96 (Hess, Ayden; Chatfield, Jameson; Sutter, Zach; Daniels, Noah)
- STARR'S MILL 3:15.98 (Roach, Braeden; Callaghan, Jimmy; Sayani, Samin; Roach, Seth)
- CALHOUN 3:16.06 (Petty, Matthew; Webb, Brandon; Pierce, Andrew; Eickman, Will)

Team Scores

1. Marist	364.5
2. Calhoun	305
3. St. Pius X	270
4. Chamblee	234

Class 4A-5A Girls

200 Yard Medley Relay

- CHAMBLEE 1:45.30 (Maloney, Kyla; Blankenship, Anna; Entrekin, Evelyn; Smith, Lilly)
- ST. PIUS 1:51.09 (Bierbaum, Betsy; Maloof, Amelia; Hedges, Emily; Maloof, Anna)
- COLUMBUS 1:51.23 (Barna, Yena; Kennedy, Catherine; Sanders, Macy; Miller, Michaela)
- MARIST 1:52.74 (Pappadakis, Angela; Donkar, Allie; Akumabor, Angel; Scruggs, Maeve)

200 Yard Free

- Maloney, Kyla CHAMBLEE 1:52.08
- Cooper, Amelia BLESSED TRINITY 1:56.12
- Halbach, Ansley NORTH OCONEE 1:56.66
- Masterson, Campbell WOODWARD 1:56.88

200 Yard IM

- Zboran, Abby LOGANVILLE 2:05.07
- Entrekin, Evelyn CHAMBLEE 2:05.33
- Smith, Sydney NORTH SPRINGS 2:08.67
- Reid, Phoebe CALHOUN 2:11.61

50 Yard Free

- Masters, Kate MARIST 24.26
- Tibbs, Zoe CALHOUN 24.48
- Miller, Michaela COLUMBUS 24.61
- Maloof, Anna ST. PIUS 24.72

1 Meter Diving

- Herring, Julia ST. PIUS 664.10#
- Henderson, Lauren MARIST 547.85
- Drudge, Rin NORTH OCONEE 540.95
- Wells, Karlee NORTH OCONEE 506.10

100 Yard Butterfly

- Zboran, Abby LOGANVILLE 55.32
- Lillie, Lila MCINTOSH 56.37
- Tell, Greta DECATUR 57.99
- Agcaoli, Angela GREENBRIER 58.13

100 Yard Free

- Richardson, Jory MIDTOWN 51.67
- Verlander, Anna DRUID HILLS 52.06
- Smith, Sydney NORTH SPRINGS 53.22
- Masterson, Campbell WOODWARD 53.76

STATE SWIMMING MEET - 2022

500 Yard Free

1. Cooper, Amelia BLESSED TRINITY 5:10.96
2. Blankenship, Anna CHAMBLEE 5:12.01
3. Halbach, Ansley NORTH OCONEE 5:12.30
4. Schaffer, Caroline MARIST 5:20.20

200 Yard Free Relay

1. MARIST 1:38.91 (Scruggs, Maeve; Masters, Kate; Akumabor, Angel; Schaffer, Caroline)
2. ST. PIUS 1:39.47 (Sheppard, Coleman; Feild, Samantha; Maloof, Anna; O'Donnell, Libby)
3. CHAMBLEE 1:40.88 (Smart, Catherine; Wahlen, Annie; Murphy, Madeline; Smith, Lilly)
4. JEFFERSON 1:41.72 (Law, Katherine; Hughes, Cora; Young, Ximena; Dunagan, Katherine)

100 Yard Backstroke

1. Maloney, Kyla CHAMBLEE 54.46
2. Lillie, Lila MCINTOSH 55.50
3. Verlander, Anna DRUID HILLS 56.78
4. Richardson, Jory MIDTOWN 56.85

100 Yard Breaststroke

1. Entrekin, Evelyn CHAMBLEE 1:03.55
2. Blankenship, Anna CHAMBLEE 1:04.63
3. Donkar, Allie MARIST 1:06.17
4. Agcaoili, Angela GREENBRIER 1:07.37

400 Yard Free Relay

1. CHAMBLEE 3:34.48 (Maloney, Kyla; Entrekin, Evelyn; Blankenship, Anna; Smart, Catherine)
2. MARIST 3:38.04 (Schaffer, Caroline; Masters, Kate; Wise, Kallyn; Donkar, Allie)
3. ST. PIUS 3:39.11 (Hennessey, Claire; Hedges, Emily; O'Donnell, Libby; Bierbaum, Betsy)
4. COLUMBUS 3:40.92 (Barna, Yena; Sanders, Macy; Kennedy, Catherine; Miller, Michaela)

Team Scores

- | | |
|---------------------|-----|
| 1. St. Pius X | 379 |
| 2. Chamblee | 374 |
| 3. Marist | 352 |
| 4. Jefferson | 222 |

Class 1-3A Boys

200 Yard Medley Relay

1. WESTMINSTER 1:32.41 (Vijayvergiya, Nik; Shah, Saavan; Clayton, Miles; Bollwerk, Charlie)
2. GEORGE WALTON 1:39.60 (Lingner, Baylor; Stout, Charlie; Stout, Jake; Pham, Timothy)
3. NORTH HALL 1:40.98 (Kinney, Tynar; Bubniak, Blake; Lewis, Bowen; Pardue, Ben)
4. GACS 1:41.05 (Daniels, Aiden; Stanley, Luke; Alsobrook, Addison; Wagon, Parker)

200 Yard Free

1. Carter, Trey GACS 1:39.53
2. Casey, Simon OCONEE COUNTY 1:40.49
3. Kennedy, Garrett ATHENS ACAD. 1:43.38
4. Van Soelen, Addison PROVIDENCE 1:45.05

200 Yard IM

1. Freudenstein, Carter PACE ACAD. 1:52.17
2. Stout, Charlie GEORGE WALTON 1:54.48
3. GrandPierre, Raphael WALKER 1:58.34
4. Sungur, Emre TALLULAH FALLS 1:58.81

50 Yard Free

1. Seymour, Aaron SAVANNAH ARTS 20.26
2. Wall, Dean CHEROKEE BLUFF 20.69
3. Kruep, Rylan MT. VERNON 20.92
4. Clayton, Miles WESTMINSTER 20.99

1 Meter Diving

1. Lubell, Eli WEBER 675.15
2. Fogle, Alex WESTMINSTER 454.15
3. Crutchfield, Aidan SOCIAL CIRCLE 368.45
4. Dempsey, Trevor WESTMINSTER 205.50

100 Yard Butterfly

1. Freudenstein, Carter PACE ACAD. 49.90
2. Clayton, Miles WESTMINSTER 49.97
3. Carden, Michael N. COBB CHRISTIAN 51.74
4. Whiting, Samuel MT. VERNON 52.57

100 Yard Free

1. Shah, Saavan WESTMINSTER 45.75
2. Wall, Dean CHEROKEE BLUFF 46.45
3. Carter, Trey GACS 46.53
4. Kruep, Rylan MT. VERNON 47.19

500 Yard Free

1. Casey, Simon OCONEE COUNTY 4:33.81
2. Kennedy, Garrett ATHENS ACAD. 4:44.26
3. Sungur, Emre TALLULAH FALLS 4:46.02
4. Block, Copeland WESTMINSTER 4:48.77

200 Yard Free Relay

1. WESTMINSTER 1:23.91 (Shah, Saavan; Bollwerk, Charlie; Liu, Tobias; Clayton, Miles)
2. GACS 1:28.57 (Wagnon, Parker; Davis, Charlie; Bussenius, Luke; Carter, Trey)
3. PACE ACAD. 1:29.56 (Freudenstein, Carter; Canova, Lane; Richardson, Reid; Brooks, Sam)
4. CHEROKEE BLUFF 1:30.49 (Young, Evan; Nelson, Pace; Hopper, Jaxson; Wall, Dean)

100 Yard Backstroke

1. Seymour, Aaron SAVANNAH ARTS 48.44
2. Carden, Michael N. COBB CHRISTIAN 51.56
3. Vijayvergiya, Nik WESTMINSTER 52.77
4. Davis, Tommy PROVIDENCE 53.72

100 Yard Breaststroke

1. Shah, Saavan WESTMINSTER 54.80
2. Stout, Charlie GEORGE WALTON 56.45
3. Gibney, Colin WESTMINSTER 57.27
4. Whiting, Samuel MT. VERNON 58.98

400 Yard Free Relay

1. WESTMINSTER 3:14.39 (Ivey, Sam; Block, Copeland; Vijayvergiya, Nik; Liu, Tobias)
2. PACE ACAD. 3:15.41 (Freudenstein, Carter; Brooks, Sam; Canova, Lane; Hight, Barrett)
3. GACS 3:18.45 (Bussenius, Luke; Davis, Charlie; Wagon, Parker; Carter, Trey)
4. WESLEYAN 3:18.46 (Badciong, Mitchell; Homan, Ray; Perry, Max; Wasmuth, Henry)

Team Scores

- | | |
|------------------------------------|-----|
| 1. Westminster..... | 516 |
| 2. Greater Atlanta Christian | 216 |
| 3. Pace Academy..... | 215 |
| 4. North Cobb Christian | 171 |

Class 1-3A Girls

200 Yard Medley Relay

1. WESTMINSTER 1:46.03 (Anderson, Mary Claire; Horst, Janine; Clayton, Sadie; Horst, Genae)
2. GACS 1:47.39 (Bennett, Ainsley; Todebush, Rachel; Heizer, Abigail; House, Madeline)
3. ST. VINCENTS 1:52.44 (Nelson, Avery; Nelson, Ella; O'Rourke, Molly; Penniman, Elizabeth)
4. BROOKSTONE 1:54.36 (Mayfield, Hannah Grace; Mattson, Holly; Leary, Alex; Sigman, Mary)

200 Yard Free

1. Norton, Emma MT. PARAN 1:49.58
2. Ketron, Sara WESTMINSTER 1:53.37
3. Mattson, Holly BROOKSTONE 1:54.26
4. Dampier, Montgomery TALL. FALLS 1:55.93

200 Yard IM

1. Christopherson, Katie WESTMINSTER 1:56.72#
2. Johnson, Gigi WESTMINSTER 1:58.15
3. Wayner, Alex SAVANNAH ARTS 2:05.41
4. Dampier, Madison TALL. FALLS 2:08.84

50 Yard Free

1. Jardina, Annie WESTMINSTER 23.55
2. Heizer, Abigail GACS 23.92
3. Pergolini, Gia ST. FRANCIS 24.14
4. Livezey, Emma MT. PISGAH 24.21

1 Meter Diving

1. Stamps, Caroline OCONEE COUNTY 534.35
2. Blankenbecler, Caroline WESTMINSTER 509.55

3. Baker, Kinsley MT. VERNON 502.85
4. Anthony, Ella WESTMINSTER 472.75

100 Yard Fly

1. Johnson, Gigi WESTMINSTER 52.59
2. DellaTorre, Olivia OCONEE COUNTY 54.02
3. Woodring, Payton GILMER 57.04
4. Dampier, Madison TALLULAH FALLS 57.30

100 Yard Free

1. Jardina, Annie WESTMINSTER 52.01
2. Livezey, Emma MT. PISGAH 52.46
3. Heizer, Abigail GACS 52.47
4. Dalton, Alexis LOVETT 52.85

500 Yard Free

1. Norton, Emma MT. PARAN 5:01.54
2. Dampier, Montgomery TALL. FALLS 5:06.54
3. Ketron, Sara WESTMINSTER 5:07.75
4. Bennett, Ainsley GACS 5:07.94

200 Yard Free Relay

1. WESTMINSTER 1:32.56# (Johnson, Gigi; Horst, Janine; Christopherson, Katie; Jardina, Annie)
2. GACS 1:39.08 (Heizer, Abigail; Jackovich, Jenna; House, Madeline; Todebush, Rachel)
3. WHITEFIELD ACAD. 1:41.33 (Estep, Riess; Browne, Catherine; Marrero, Ari; King, Amanda)
4. ST. VINCENTS 1:41.75 (Penniman, Elizabeth; Nelson, Avery; Nelson, Ella; Ward, Beth Ann)

100 Yard Backstroke

1. Pergolini, Gia ST. FRANCIS 55.21
2. Woodring, Payton GILMER 56.25
3. Clayton, Sadie WESTMINSTER 57.36
4. Gucky, Hampton MT. BETHEL 58.35

100 Yard Breaststroke

1. Christopherson, Katie WESTMINSTER 1:00.81
2. DellaTorre, Olivia OCONEE CO. 1:02.82
3. Wayner, Alex SAVANNAH ARTS 1:02.87
4. Park, Yenna SAVANNAH CTY. DAY 1:06.10

400 Yard Free Relay

1. WESTMINSTER 3:24.20# (Johnson, Gigi; Ketron, Sara; Jardina, Annie; Christopherson, Katie)
2. WHITEFIELD ACAD. 3:45.56 (Browne, Catherine; Marrero, Ari; Estep, Riess; King, Amanda)
3. LOVETT 3:46.67 (Kimmerly, Georgia Hayes; Botha, Lily; Smith, Ivey; Dalton, Alexis)
4. GACS 3:47.38 (Jackovich, Jenna; Niolon-Kachur, Grace; Hidell, Anna; Bennett, Ainsley)

Team Scores

- | | |
|------------------------------------|-----|
| 1. Westminster | 605 |
| 2. Greater Atlanta Christian | 276 |
| 3. St. Vincents | 192 |
| 4. Wesleyan | 169 |

- State Record

STATE TENNIS PLAYOFFS - 2022

7A - GIRLS

Round 1

Hillgrove 3, Colquitt Co. 0
Alpharetta 3, Archer 0
South Forsyth 3, Mill Creek 0
Campbell 3, South Gwinnett 0
Camden Co. 4, Marietta 1
Dunwoody 3, Cherokee 0
Lambert 3, Peachtree Ridge 0
Brookwood 3, Pebblebrook 0
Parkview 3, McEachern 0
West Forsyth 3, Collins Hill 0
Roswell 3, Duluth 0
Walton 3, Tift County 0
Grayson 3, East Coweta 0
North Gwinnett 3, Denmark 1
Milton 3, Norcross 2
Lowndes 3, Harrison 0

Round 2

Alpharetta 3, Hillgrove 0
South Forsyth 3, Campbell 0
Dunwoody 3, Camden Co. 0
Lambert 3, Brookwood 1
West Forsyth 3, Parkview 0
Walton 3, Roswell 0
North Gwinnett 3, Grayson 0
Lowndes 3, Milton 2

Quarterfinals

Alpharetta 3, South Forsyth 0
Lambert 3, Dunwoody 1
Walton 3, West Forsyth 0
North Gwinnett 3, Lowndes 1

Semifinals

Alpharetta 3, Lambert 1
Walton 3, North Gwinnett 0

Final

Walton 3, Alpharetta 0

7A - BOYS

Round 1

Harrison 3, Tift County 0
Alpharetta 3, Archer 0
Peachtree Ridge 3, South Forsyth 2
Newnan 5, South Gwinnett 0
N. Paulding 3, Camden Co. 1
Dunwoody 4, Woodstock 1
West Forsyth 3, Mill Creek 0
Brookwood 4, McEachern 0
Parkview 3, East Coweta 1
Lambert 3, Mountain View 0
Milton 3, Duluth 0
Walton 5, Lowndes 0
Campbell 3, Grayson 1
North Gwinnett 3, Denmark 0
Norcross 3, Cherokee 1
North Cobb 3, Colquitt Co. 0

Round 2

Alpharetta 3, Harrison 1
Peachtree Ridge 3, Newnan 0
Dunwoody 3, N. Paulding 0
West Forsyth 3, Brookwood 0
Lambert 3, Parkview 0
Walton 3, Milton 0
North Gwinnett 3, Campbell 0
Norcross 3, North Cobb 1

Quarterfinals

Alpharetta 3, Peachtree Ridge 2
West Forsyth 3, Dunwoody 0

Walton 3, Lambert 2
North Gwinnett 3, Norcross 0

Semifinals

Alpharetta 3, West Forsyth 0
Walton 3, North Gwinnett 2

Final

Walton 3, Alpharetta 1

6A - GIRLS

Round 1

Heritage-Conyers 3, Lee County 2
Chattahoochee 3, Rome 2
Lassiter 3, Lanier 0
Statesboro 5, Tucker 0
Houston Co. 3, Grovetown 0
Cambridge 3, Dalton 0
Allatoona 4, Dacula 1
North Atlanta 5, Glynn Academy 0
Lakeside-DeKalb 3, Richmond Hill 1
Pope 3, Habersham Central 0
Johns Creek 3, Douglas Co. 1
Lakeside-Evans 3, Northside-WR 0
Effingham Co. 3, Westlake 0
Buford 3, Wheeler 2
Centennial 3, Carrollton 0
Valdosta 5, Evans 0

Round 2

Chattahoochee 4, Heritage-Conyers 0
Lassiter 3, Statesboro 0
Cambridge 3, Houston Co. 0
North Atlanta 3, Allatoona 1
Pope 3, Lakeside-DeKalb 0
Johns Creek 3, Lakeside-Evans 0
Buford 3, Effingham Co. 0
Centennial 3, Valdosta 1

Quarterfinals

Lassiter 3, Chattahoochee 2
North Atlanta 3, Cambridge 0
Johns Creek 3, Pope 1
Centennial 3, Buford 0

Semifinals

North Atlanta 3, Lassiter 0
Centennial 3, Johns Creek 1

Final

North Atlanta 3, Centennial 0

6A - BOYS

Round 1

Evans 3, Lee County 2
Centennial 3, Rome 0
Kell 3, Habersham Central 0
Glynn Academy 3, Westlake 0
Houston Co. 3, Grovetown 0
Cambridge 3, Paulding Co. 0
Wheeler 3, Winder-Barrow 0
Lakeside-DeK. 4, Richmond Hill 0
North Atlanta 4, Effingham Co. 1
Pope 3, Dacula 0
Chattahoochee 3, Dalton 0
Lakeside-Evans 3, Northside-WR 0
Statesboro 4, Tucker 1
Buford 4, Lassiter 1
Johns Creek 5, Carrollton 0
Valdosta 5, Rockdale Co. 0

Round 2

Centennial 3, Evans 0
Kell 3, Glynn Academy 2
Cambridge 3, Houston Co. 0

Lakeside-DeKalb 3, Wheeler 2
Pope 3, North Atlanta 1
Chattahoochee 3, Lakeside-Evans 0
Buford 3, Statesboro 0
Johns Creek 4, Valdosta 0

Quarterfinals

Centennial 3, Kell 0
Cambridge 3, Lakeside-DeKalb 0
Chattahoochee 3, Pope 2
Johns Creek 3, Buford 1

Semifinals

Cambridge 3, Centennial 0
Johns Creek 3, Chattahoochee 1

Final

Johns Creek 3, Cambridge 1

5A - GIRLS

Round 1

Ware County 4, Tri-Cities 0
Northview 3, Cass 0
Loganville 3, North Springs 0
McIntosh 4, Eagles Landing 1
Veterans 5, Mundy's Mill 0
St. Pius 3, Calhoun 2
Jackson Co. 3, Villa Rica 2
Ola 3, Whitewater 2
Union Grove 3, Northgate 1
Midtown 5, Clarke Central 0
Chamblee 3, Cartersville 2
Woodward 5, Wayne County 0
Starr's Mill 3, Jones County 0
Greenbrier 3, Chapel Hill 2
Decatur 3, Blessed Trinity 0
Coffee 5, Creekside 0

Round 2

Northview 3, Ware County 0
McIntosh 3, Loganville 2
St. Pius 3, Veterans 0
Ola 3, Jackson Co. 0
Midtown 3, Union Grove 0
Chamblee 3, Woodward 1
Greenbrier 3, Starr's Mill 0
Coffee 3, Decatur 1

Quarterfinals

Northview 3, McIntosh 2
St. Pius 4, Ola 1
Chamblee 4, Midtown 1
Coffee 3, Greenbrier 1

Semifinals

Northview 3, St. Pius 0
Chamblee 3, Coffee 0

Final

Northview 3, Chamblee 0

5A - BOYS

Round 1

Veterans 4, Bancker 1
Northview 3, Hiram 0
Loganville 3, Jackson-Atlanta 1
McIntosh 5, Dutchtown 0
Ware County 4, Jonesboro 0
Blessed Trinity 3, Decatur 0
North Springs 3, Jackson Co. 0
Union Grove 3, Whitewater 2
Northgate 3, Jones County 0
Midtown 5, Eastside 0
Chamblee 4, Calhoun 0
Woodward 5, Wayne County 0

STATE TENNIS PLAYOFFS - 2022

Starr's Mill 3, Ola 1
Greenbrier 3, Chapel Hill 0
St. Pius 3, Cartersville 0
Coffee 1, Tri-Cities 0

Round 2

Northview 3, Veterans 0
McIntosh 5, Loganville 0
Blessed Trinity 3, Ware County 0
North Springs 4, Union Grove 0
Midtown 4, Northgate 0
Woodward 4, Chamblee 1
Greenbrier 3, Starr's Mill 1
St. Pius 3, Coffee 2

Quarterfinals

Northview 3, McIntosh 0
North Springs 3, Blessed Trinity 1
Woodward 4, Midtown 0
St. Pius 3, Greenbrier 1

Semifinals

Northview 3, North Springs 0
St. Pius 3, Woodward 1

Final

Northview 3, St. Pius 0

4A - GIRLS

Round 1

Cairo 5, Jenkins 0
Pickens 3, Fayette County 2
Madison Co. 5, Arabia Mountain 0
LaGrange 5, Spalding 0
Thomas County Central, BYE
Central-Carroll 4, North Clayton 0
Flowery Branch 3, Druid Hills 0
West Laurens, BYE
Perry, BYE
Marist 4, Jefferson 0
Heritage-Catoosa 3, Hampton 1
Islands 4, Monroe 1
Columbus 5, Howard 0
North Oconee 1, Miller Grove 0
Cedartown 5, Luella 0
Bainbridge, BYE

Round 2

Pickens 3, Cairo 1
LaGrange 3, Madison Co. 1
Central-Carroll 3, Thomas Co. Cent. 0
West Laurens 4, Flowery Branch 1
Marist 4, Perry 0
Heritage-Catoosa 3, Islands 1
Columbus 3, North Oconee 2
Bainbridge 3, Cedartown 2

Quarterfinals

LaGrange 3, Pickens 0
West Laurens 3, Central-Carroll 1
Marist 4, Heritage-Catoosa 0
Columbus 3, Bainbridge 0

Semifinals

LaGrange 3, West Laurens 0
Marist 4, Columbus 1

Final

Marist 3, LaGrange 0

4A - BOYS

Round 1

Islands 5, Cairo 0
Cedartown 5, Hampton 0
Madison Co. 5, Arabia Mountain 0
Columbus 5, Westside-Macon 0

Thomas County Central 3, Jenkins 0
NW Whitfield 5, North Clayton 0
Jefferson 4, Druid Hills 1
West Laurens, BYE
Troup 3, Spalding 2
Marist 4, Flowery Branch 0
Heritage-Catoosa 5, Fayette Co. 0
Benedictine 5, Dougherty 0
LaGrange 5, Perry 0
North Oconee 1, Miller Grove 0
Central-Carroll 4, McDonough 1
Bainbridge, BYE

Round 2

Cedartown 3, Islands 2
Columbus 5, Madison Co. 0
NW Whitfield 5, Thomas County Central 0
Jefferson 3, West Laurens 2
Marist 4, Troup 0
Benedictine 3, Heritage-Catoosa 1
North Oconee 3, LaGrange 0
Central-Carroll 3, Bainbridge 1

Quarterfinals

Columbus 5, Cedartown 0
Jefferson 3, NW Whitfield 0
Marist 5, Benedictine 0
North Oconee 3, Central-Carroll 0

Semifinals

Columbus 4, Jefferson 0
Marist 3, North Oconee 1

Final

Marist 3, Columbus 0

3A - GIRLS

Round 1

Pierce County 4, Savannah Arts 0
Westminster 3, Dawson County 0
Stephens Co. 3, Sonoraville 0
Crisp County 4, Harlem 0
Brantley County, BYE
North Hall 5, Carver-Atlanta 0
Murray County 3, East Jackson 2
Morgan County 4, Mary Persons 1
Sumter County 3, Burke County 0
Rockmart 5, Hart County 0
GACS 3, Lumpkin Co. 1
SE Bulloch 3, Tattall Co. 2
Upson-Lee 5, Thomson 0
Oconee County 3, Adairsville 0
Cherokee Bluff 3, Sandy Creek 0
Appling County, BYE

Round 2

Westminster 3, Pierce County 0
Stephens Co. 3, Crisp County 1
Brantley County 3, North Hall 1
Morgan County 3, Murray County 0
Rockmart 4, Sumter County 0
GACS 3, SE Bulloch 2
Oconee County 3, Upson-Lee 0
Appling County 3, Cherokee Bluff 0

Quarterfinals

Westminster 3, Stephens Co. 0
Brantley County 3, Morgan County 0
GACS 3, Rockmart 2
Oconee County 3, Appling County 0

Semifinals

Westminster 3, Brantley County 0
Oconee County 3, GACS 0

Final

Westminster 3, Oconee County 0

3A - BOYS

Round 1

Appling County 3, Savannah Arts 0
Westminster 5, Lumpkin County 0
Stephens County 3, Murray County 1
Upson-Lee 3, Harlem 0
Pierce County, BYE
Cherokee Bluff 5, Redan 0
Coahulla Creek 3, Franklin Co. 2
Richmond Academy 5, Crisp County 0
Sumter County 3, Burke County 2
Sonoraville 3, East Jackson 0
GACS 4, Dawson Co. 0
SE Bulloch 5, Tattall Co. 0
Morgan Co. 4, Mary Persons 1
Oconee County 3, Ringgold 0
North Hall 3, Sandy Creek 1
Brantley County, BYE

Round 2

Westminster 3, Appling County 0
Stephens County 3, Upson-Lee 0
Cherokee Bluff 3, Pierce County 2
Coahulla Creek 3, Richmond Academy 1
Sonoraville 3, Sumter County 0
GACS 3, SE Bulloch 0
Oconee County 3, Morgan Co. 0
Brantley County 3, North Hall 0

Quarterfinals

Westminster 3, Stephens County 0
Cherokee Bluff 3, Coahulla Creek 2
GACS 3, Sonoraville 1
Brantley County 3, Oconee County 1

Semifinals

Westminster 3, Cherokee Bluff 0
Brantley County 3, GACS 0

Final

Westminster 3, Brantley County 0

2A - GIRLS

Round 1

Dodge County 3, Cook 2
Bremen 5, Gordon Central 0
Banks County 3, Elite Scholars 0
Jeff Davis 5, Putnam County 0
Worth County 5, Jasper County 0
Model 3, Callaway 0
Lovett 5, Elbert County 0
Davidson Arts 4, East Laurens 1
Vidalia 4, Tech. Magnet 1
Pace Academy, BYE
Heard County 4, Coosa 1
Bleckley County 3, Early County 0
Bacon County 3, Johnson-Augusta 0
Rabun County 5, Washington 0
Pepperell 3, Haralson County 0
Berrien 4, Lamar County 0

Round 2

Bremen 3, Dodge County 2
Jeff Davis 4, Banks County 1
Model 3, Worth County 1
Lovett 3, Davidson Arts 1
Pace Academy 4, Vidalia 0
Bleckley County 3, Heard County 0
Rabun County 3, Bacon County 1
Berrien 5, Pepperell 0

Quarterfinals

Bremen 3, Jeff Davis 2
Lovett 3, Model 0

STATE TENNIS PLAYOFFS - 2022

Pace Academy 3, Bleckley County 0
Rabun County 3, Berrien 1

Semifinals

Lovett 5, Bremen 0
Pace Academy 4, Rabun County 0

Final

Pace Academy 3, Lovett 0

2A - BOYS

Round 1

Berrien 3, Dodge County 1
Bremen 5, Pepperell 0
Banks County 5, Washington 0
Jeff Davis 5, Johnson-Augusta 0
Cook 3, Jasper County 0
Model 3, Haralson Co. 0
Lovett 4, Rabun County 1
Davidson Fine Arts 5, Vidalia 0
Swainsboro 4, Jefferson Co. 0
Pace Academy 5, Elbert County 0
Heard County 3, Fannin County 2
Bleckley County 3, Fitzgerald 0
Bacon County 3, Tech. Magnet 0
Riverside Military 5, Elite Scholars 0
Gordon Central 4, Callaway 1
Early County 4, Lamar County 0

Round 2

Bremen 3, Berrien 1
Jeff Davis 4, Banks County 1
Model 3, Cook 0
Lovett 3, Davidson Fine Arts 1
Pace Academy 3, Swainsboro 0
Bleckley County 3, Heard County 0
Riverside Military 3, Bacon County 2
Early County 3, Gordon Central 2

Quarterfinals

Bremen 3, Jeff Davis 2
Lovett 3, Model 0
Pace Academy 3, Bleckley County 0
Early County 3, Riverside Military 0

Semifinals

Lovett 3, Bremen 1
Pace Academy 3, Early County 0

Final

Pace Academy 3, Lovett 2

A (Public) - GIRLS

Round 1

Claxton 3, Miller County 0
Taylor County, BYE
Commerce 4, Bowdon 0
Irwin County 3, Hawkinsville 0
Bryan County 3, Baconton 1
ACE Charter, BYE
Armuchee 3, Washington-Wilkes 0
Telfair County 3, Clinch County 0
Johnson Co. 3, Charlton Co. 0
Trion 5, Social Circle 0
Marion County, BYE
Screven County 1, Pelham 0
Lanier County 3, Dublin 0
Lk Oconee Acad. 3, Gordon Lee 0
Ga. Military 3, Furlow Charter 0
Seminole County 3, Metter 0

Round 2

Taylor County 3, Claxton 0
Commerce 3, Irwin County 2
ACE Charter 5, Bryan County 0

Telfair County 3, Armuchee 0
Trion 3, Johnson County 2
Screven County 3, Marion County 0
Lake Oconee Academy 3, Lanier County 1
Seminole Co. 3, Georgia Military 1

Quarterfinals

Commerce 3, Taylor County 1
Telfair County 3, ACE Charter 0
Trion 3, Screven County 1
Seminole Co. 3, Lake Oconee Acad. 0

Semifinals

Telfair County 3, Commerce 2
Trion 3, Seminole County 1

Final

Telfair County 3, Trion 1

A (Public) - BOYS

Round 1

ECI 3, Miller County 0
Taylor County, BYE
Commerce 3, Gordon Lee 1
Irwin County 3, Hawkinsville 0
Metter 3, Pelham 0
ACE Charter, BYE
Armuchee 3, Social Circle 2
Telfair County 3, Lanier County 0
Johnson County 4, Charlton County 0
Trion, BYE
Marion County, BYE
Screven County 5, Baconton 0
Clinch County 3, Dublin 0
Lake Oconee Academy 3, Bowdon 0
Georgia Military 3, Furlow Charter 1
Seminole Co. 3, Claxton 0

Round 2

Taylor County 3, ECI 1
Irwin County 3, Commerce 0
ACE Charter 3, Metter 2
Telfair County 3, Armuchee 0
Trion 5, Johnson Co. 0
Screven County 4, Marion County 0
Lk Oconee Acad. 3, Clinch County 0
Seminole Co. 3, Georgia Military 0

Quarterfinals

Irwin County 3, Taylor County 1
Telfair County 3, ACE Charter 0
Screven County 3, Trion 1
Lake Oconee Academy 3, Seminole Co. 1

Semifinals

Telfair County 3, Irwin County 1
Lake Oconee Academy 3, Screven County 0

Final

Lake Oconee Academy 3, Telfair County 1

A (Private) - GIRLS

Round 1

St. Vincent's 3, Deerfield-Windsor 2
Wesleyan 4, Walker 0
Athens Acad. 3, Pinecrest Acad. 0
Paideia 5, Trinity Christian 0
Stratford Acad. 4, Savannah Christian 0
Christ. Heritage 3, Hebron Christian 1
King's Ridge 4, Prince Avenue 1
Brookstone 4, Our Lady Mercy 0
Heritage-Newnan 3, Landmark Christian 0
Mt. Pisgah 3, Tallulah Falls 2
Holy Innocents' 3, Darlington 0

Savannah Country Day 5, Strong Rock 0
Whitefield Academy 3, St. Anne-Pacelli 2
George Walton 5, Lakeview Academy 0
Mt. Vernon 3, Mt. Paran 2
First Presbyterian 3, Aquinas 0

Round 2

Wesleyan 3, St. Vincent's 0
Athens Academy 3, Paideia 2
Christian Heritage 3, Stratford Academy 0
Brookstone 4, King's Ridge 0
Heritage-Newnan 3, Mt. Pisgah 1
Holy Innocents' 3, Savannah Country Day 0
George Walton 3, Whitefield Academy 0
Mt. Vernon 3, First Presbyterian 2

Quarterfinals

Wesleyan 3, Athens Academy 0
Christ. Heritage 3, Brookstone 1
Holy Innocents' 3, Heritage-Newnan 2
George Walton 3, Mt. Vernon 2

Semifinals

Wesleyan 3, Christ. Heritage 0
George Walton 3, Holy Innocents' 1

Final

Wesleyan 3, George Walton 0

A (Private) - BOYS

Round 1

First Presbyterian 3, Savannah Christian 1
Wesleyan 4, Walker 0
Tallulah Falls 3, Lakeview Academy 2
Landmark Christian, BYE
Deerfield-Windsor 3, Aquinas 0
Mt. Paran 3, Mt. Vernon 1
Pinecrest Academy 3, George Walton 2
Heritage-Newnan 1, Our Lady Mercy 0
Whitefield Academy 5, Brookstone 0
Fellowship Christian 5, Prince Avenue 0
Holy Innocents' 3, North Cobb Christian 1
Savannah Country Day, BYE
Paideia 4, St. Anne-Pacelli 1
Athens Academy 3, King's Ridge 0
Atlanta International 3, Darlington 0
Stratford Academy 5, Calvary Day 0

Round 2

Wesleyan 3, First Presbyterian 0
Landmark Christian 3, Tallulah Falls 0
Mt. Paran 3, Deerfield-Windsor 1
Pinecrest Acad. 3, Heritage-Newnan 2
Fellowship Christian 3, Whitefield Acad. 2
Holy Innocents' 3, Sav. Country Day 0
Paideia 3, Athens Academy 1
Atlanta International 3, Stratford Academy 2

Quarterfinals

Wesleyan 3, Landmark Christian 2
Mt. Paran 3, Pinecrest Academy 1
Holy Innocents' 3, Fellowship Christian 0
Paideia 3, Atlanta International 0

Semifinals

Wesleyan 3, Mt. Paran 0
Holy Innocents' 3, Paideia 2

Final

Wesleyan 3, Holy Innocents' 1

STATE TRACK MEETS - 2022

CLASS 7A - BOYS

Discus Throw

1. Max Herman, Marietta, 169-02
2. Ethan Sinon, McEachern, 162-09
3. Jevan Parara, Alpharetta, 154-06
4. Cody Brown, Parkview, 152-08

High Jump

1. Isaac Osifo, West Forsyth, 6-10.00
2. Jens Rueckert, McEachern, J6-10.00
3. Maurice Thomas, Discovery, 6-06.00
4. Noel Asiedu, Alpharetta, J6-06.00

Long Jump

1. Frank Osorio Jr., Archer , 22-09.00
2. Adarius Harshaw, Cherokee , 22-03.75
3. Ronnie Hamrick, Parkview, 22-02.00
4. Isaiah Sanders, Marietta, 22-00.00

Pole Vault

1. Tyler Norr, West Forsyth, 15-00.00
2. Jackson Kutsche, North Cobb, J15-00.00
3. Harrison Kopp, Dunwoody, J15-00.00
4. Alon Rogow, Dunwoody, 14-00.00

Shot Put

1. Garrett Brophy, Grayson , 58-02.25
2. Aaron Fenimore, East Coweta, 56-04.00
3. Cade Anders, Tift County, 55-09.00
4. Marice Brown, Marietta, 55-07.00

Triple Jump

1. Kyle Fisher, Peachtree Ridge, 46-10.00
2. Mark Morozov, Alpharetta, 46-08.00
3. Boubacar Ndome, Marietta, 45-11.25
4. Michael Azuka, McEachern, 45-09.00

4x800 Meter Relay

1. Woodstock 7:47.53 (Joseph Mines, Dillon Watson Will Sumner, Cedric Ansong)
2. Etowah 7:51.71 (Dru Moore, Andrew Balogh, Seth Eye, Matthew Hall)
3. Mill Creek 7:53.84 (Shahzeb Rashid, Ethan Nordman, Jacob Peters, Luke Kalarickal)
4. West Forsyth 7:54.53 (Trent Bell, Charlie Cavanaugh, Joey Vos, Cole Schmoeyer)

110 Meter Hurdles

1. Makai Williams, Brookwood, 14.37,
2. Joshua Crum, Brookwood, 14.59,
3. Keonte Knight, Parkview, 14.69,
4. Daniel James, McEachern, 14.78

100 Meter Dash

1. Dwight Phillips, Pebblebrook , 10.43,
2. Chris Nelson, South Forsyth, 10.45,
3. Tydreke Thomas, Lowndes, 10.58,
4. Davin Denny, Newton County, 10.73

4x200 Meter Relay

1. Campbell 1:25.44 (Mekhi Stone, Aveion Hayes, Dorian Gibson, Justin Walker)
2. Marietta 1:26.82 (Zuri Johnson, Jeremiah Fredrick, Jace Arnold, Devin Clark)
3. Camden County 1:27.96 (Julius Floyd, Mario Lee, Ricky Williams, Deonte Cole)
4. Peachtree Ridge 1:29.58 (Jeremiah Colbert, Aidan Knight, Tyre Tatum, Winston Chung)

1600 Meter Run

1. Ethan Ashley, Denmark, 4:12.44
2. Ben Bergey, South Forsyth, 4:14.53
3. Dru Moore, Etowah , 4:14.83
4. Caden Hall, Parkview, 4:14.98

4x100 Meter Relay

1. Lowndes 40.78 (Jacarre' Fleming, Michael Eady, Keylan Hicks, Tydreke Thomas)
2. Pebblebrook 41.60 (Varick Gipson, Marcus Robinson, Keyawn Spencer, Dwight Phillips)
3. South Forsyth 41.74 (Josh Nelson, Joshua Muleta, Nathan Heo, Chris Nelson)
4. Campbell 41.87 (Mekhi Stone, Aveion Hayes, Justin Walker, Dorian Gibson)

400 Meter Dash

1. Will Sumner, Woodstock, 45.78#
2. Joshua Knox, McEachern, 46.46
3. Devin Clark, Marietta, 47.55
4. Jaiden Patterson, Mill Creek, 48.22

300 Meter Hurdles

1. Joshua Crum, Brookwood, 37.84
2. Bryce Dopson, Brookwood, 39.15
3. Jensen Boyette, Woodstock , 39.28
4. Jeremiah Israel Johnson, Cherokee, 39.79

800 Meter Run

1. Malachi Sanders, Marietta, 1:54.41
2. John Jessup, Gainesville, 1:54.76
3. Joseph Mines, Woodstock , 1:55.54
4. Tavian Anderson, Denmark, 1:56.73

200 Meter Dash

1. Chris Nelson, South Forsyth, 21.36
2. Joshua Knox, McEachern, 21.46
3. Aveion Hayes, Campbell , 21.86
4. Jeremiah Colbert, Peachtree Ridge, 21.89

3200 Meter Run

1. Ethan Ashley, Denmark, 9:07.36
2. Jacob Peters, Mill Creek, 9:11.63
3. Dru Moore, Etowah, 9:18.76
4. Trent Bell, West Forsyth, 9:22.26

4x400 Meter Relay

1. Marietta 3:15.21 (Malachi Sanders, Zuri Johnson, Isaiah Sanders, Devin Clark)
2. Grayson 3:15.91 (Brady Daniels, Sean Dyer, Kody Pugh, James Thomas)
3. Peachtree Ridge 3:17.37 (Caleb McBride, Winston Chung, Kylan Thorps, Xavier Davis)
4. Woodstock 3:20.94 (Cameron Stuart, Cedric Ansong, Joseph Mines, Will Sumner)

HIGH POINT SCHOOLS

- | | |
|-----------------------|----|
| 1. Marietta..... | 66 |
| 2. Brookwood..... | 57 |
| 3. South Forsyth..... | 50 |
| 4. Woodstock..... | 43 |

CLASS 6A- BOYS

Discus Throw

1. Piers Cameron, Pope, 169-01
2. Tahir Hines, Allatoona, 168-03
3. Josiah Wyatt, Buford, 163-01
4. Emorrie Foskey, Winder-Barrow, 159-02

High Jump

1. Riyon Rankin, Brunswick, 7-00.00
2. Ashriel Dixon, East Paulding, 6-08.00
3. Ian Hodge, Tucker, 6-06.00
4. JeCorey Hill, Statesboro, J6-06.00
4. Jaylon Taylor, Buford, J6-06.00

Long Jump

1. Amare Hall, Carrollton, 24-09.25#
2. Rashun Fountain, Heritage-Con., 23-06.25
3. Christian Barker, Shiloh, 22-07.00
4. Joshua Harper, Heritage-Conyers, 22-06.25

Pole Vault

1. Kareem Nazim, Carrollton, 15-00.00
2. Tyler Farris, Dacula, 14-00.00
3. Tyler Cash, Allatoona, J14-00.00
4. Brandon Peebles, Houston County, 13-06.00

Shot Put

1. Piers Cameron, Pope, 54-06.50
2. Emorrie Foskey, Winder-Barrow, 52-05.00
3. Isaac Prince-Oyakhire, Shiloh, 51-03.00
4. Zechariah Ellis, Glynn Academy, 51-01.50

Triple Jump

1. Cameron Edwards, S. Effingham, 47-01.50
2. NaJib Anderson, Rockdale Co., 46-00.25
3. KJ Bolden, Buford, 45-11.50
4. Amare Hall, Carrollton, 45-04.25

4x800 Meter Relay

1. Alexander 8:00.22 (Marcus Guidry, Tyler Goode, Troy Waine, Leon Waine)
2. Shiloh 8:03.98 (Paul Parrish, Semon Teklemariam, Nathan Solomon, Andy Salgado)
3. Cambridge 8:04.45 (George Tindle, Braden Hobbs, Mattson Peterson, Lyle Donovan)
4. Heritage-Conyers 8:05.83 (Gabriel Oliveras, Jah'Vauni Wheeler, Emmanuel Gunnison, Freddy Baehre)

110 Meter Hurdles

1. Malik Mixon, Westlake, 13.66
2. Bryce Southerland, Shiloh, 14.21
3. Kalib Branch, Lovejoy, 14.24
4. Victor Payne, Buford, 14.25

100 Meter Dash

1. Eric Young, Allatoona, 10.39#
2. Rashun Fountain, Heritage-Conyers, 10.41
3. Kamron Mikell, Statesboro, 10.50
4. Carl Murray, North Atlanta, 10.52

4x200 Meter Relay

1. Hughes, 1:26.72 (Jakarri Martin, Rodney Shelley, Jaylen Johnson, Jaden Barnes)
2. Heritage-Conyers 1:27.15 (Collin Henderson, Joshua Harper, Quacy Virgo, Jah'Vauni Wheeler)
3. Valdosta 1:27.87 (Cameron Bailey, Robert Russell, Christopher Jones, Timothy Roberson)
4. East Paulding, 1:28.20 (Ben Akomolafe, Keshawn Watkins, Markus Ruiz, JaMarco Ford)

1600 Meter Run

1. Nathan Solomon, Shiloh, 4:17.41
2. Ethan Kurilko, Lakeside, Evans, 4:18.10
3. Sumner Kirsch, North Atlanta, 4:18.91
4. Leon Waine, Alexander, 4:19.52

4x100 Meter Relay

1. Heritage-Conyers 41.15 (Collin Henderson, Quacy Virgo, Joshua Harper, Rashun Fountain)
2. Hughes 41.47 (Jaden Barnes, Omarion Spurley, Robert CJ Lockhart, Rodney Shelley)
3. Westlake 41.52 (Daquan Tate, Aveion Terrell, Malik Mixon, Sidi Njie)
4. E. Paulding 42.28 (JaMarco Ford, Keshawn Watkins, Ben Akomolafe, Edwin Ferguson)

400 Meter Dash

1. Sidi Njie, Westlake, 46.41#
2. Eric Young, Allatoona, 46.82

STATE TRACK MEETS - 2022

3. Jaylen Marsh, Carrollton, 47.67
4. Daquan Tate, Westlake, 47.81

300 Meter Hurdles

1. Malik Mixon, Westlake, 36.60
2. Jasai Taylor, Richmond Hill, 37.52
3. Victor Payne, Buford, 38.14
4. Eric Barker, Shiloh, 39.23

800 Meter Run

1. Chance Jones, Dacula, 1:53.97
2. Marcus Guidry, Alexander, 1:54.42
3. Abedelemejid Kerebo, Tucker, 1:55.10
4. Nathan Solomon, Shiloh, 1:56.66

200 Meter Dash

1. Rashun Fountain, Heritage-Conyers, 20.85#
2. Sidi Njie, Westlake, 21.01
3. Eric Young, Allatoona, 21.06
4. Shavique Bascus, Carrollton, 21.51

3200 Meter Run

1. Nathan Solomon, Shiloh, 9:33.44
2. Tucker Wright, Rome, 9:34.88
3. Memphis Rich, Richmond Hill, 9:35.68
4. Eli Corn, East Paulding, 9:35.72

4x400 Meter Relay

1. Westlake 3:14.04 (Daquan Tate, Sidi Njie, Avicon Terrell, Malik Mixon)
2. Carrollton 3:18.08 (Kayvion Copeland, Dontavious Barker, Seth Childress, Jaylen Marsh)
3. Hughes 3:18.57 (Kai Lewis, Jaylen Johnson, Torey Arnold, Rodney Shelley)
4. Shiloh 3:19.30 (Parris Hawkins, Eric Barker, Paul Parrish, Alexander Phillips)

HIGH POINT SCHOOLS

- | | |
|--------------------------|----|
| 1. Shiloh..... | 73 |
| 2. Carrollton..... | 71 |
| 3. Heritage-Conyers..... | 60 |
| 4. Westlake..... | 59 |

CLASS 5A- BOYS

Discus Throw

1. Seth Allen, New Manchester, 197-01
2. Josh Dare, Creekside, 183-00
3. Josh Phifer, Starr's Mill, 160-05
4. Christian Dixon, Dutchtown, 159-04

High Jump

1. Dylan Faulkner, Calhoun , 6-10.00
2. Jaylan Harris, Calhoun , 6-08.00
3. Nicolas Crosswhite, New Manchester, J6-08.00
4. Tito Alofe, Starr's Mill, 6-04.00

Long Jump

1. Jaylan Harris, Calhoun , 24-07.00#
2. Marc Stampley, Starr's Mill, 23-10.00
3. Jordan McCants, Blessed Trinity, 23-07.00
4. Michael Royster, Ola, 23-05.75

Pole Vault

1. Dylan Faulkner, Calhoun , 15-00.00
2. Jordan Frank, North Springs, 14-06.00
3. David Bowers, Starr's Mill, 13-06.00
4. Noah Baer, Woodland-Bartow, 13-00.00

Shot Put

1. Josh Dare, Creekside, 55-11.50
2. Jack Woods, St. Pius X, 53-03.00
3. Lamone Hill Jr., Dutchtown, 52-01.00
4. Quentin Peterson, Union Grove, 51-04.50

Triple Jump

1. Jordan McCants, Blessed Trinity, 47-00.00
2. Dainsus Miller, Creekside, 46-02.00
3. Nicolas Crosswhite, New Manchester, J46-02.00
4. Tito Alofe, Starr's Mill, 45-03.50

4x800 Meter Relay

1. Blessed Trinity 7:53.54# (Zack Burke, Loden Kohrman, Isaac Soricelli, Clark Bilderback)
2. Decatur 7:57.64 (William Carlton, Luca Easley, William Smiley, Martin Scholl)
3. Chamblee,8:05.34 (Daniel Mata, Matthew Coates, Jalen Adams, William Elder)
4. Harris Co. 8:05.38 (Tillman Roper, Cavan Klein, Mason Rickard, Evan Rehrauer)

110 Meter Hurdles

1. Nasia Lee, Dutchtown, 14.04
2. Isaiah Taylor, Southwest DeKalb, 14.26
3. Malik Smith, Dutchtown, 14.34
4. Jadon Thomason, Calhoun, 14.40

100 Meter Dash

1. Zion Ragins, Jones County, 10.53
2. Ali Dargan, Southwest DeKalb, 10.64
3. Jayden Scott, Stockbridge, 10.88
4. Taye Seymore, Lithia Springs, 10.91

4x200 Meter Relay

1. SW DeKalb 1:25.61 (Kenneth Robbins, Xzaviah Taylor, Xavier Turner, Ali Dargan)
2. Jones County 1:26.72 (Tyler Stewart, Javious Bond, Eddren Chester, Zion Ragins)
3. Decatur 1:27.39 (Ethan Sanders-Brown, Ben Markham, Curran Brant, Victor Bowles)
4. Whitewater 1:28.17 (Ademola Adewusi, Nathan Wallace, Corey Richardson, Jaylon McClendon)

1600 Meter Run

1. Benjamin Rothering, Blessed Trinity, 4:13.83
2. William Carlton, Decatur, 4:14.04
3. Everett Schroeder, Midtown, 4:17.94
4. Jake Westing, Decatur, 4:18.63

4x100 Meter Relay

1. SW DeKalb 41.48 (Isaiah Taylor, Ali Dargan, Ke'Antae Thornton, Kenneth Robbins)
2. Jones County 41.67 (Tyler Stewart, Javious Bond, Eddren Chester, Zion Ragins)
3. Dutchtown 41.82 (Tyler Burch, Justin Harper, Reginald Ponder II, Tavares Taylor)
4. Eagle's Landing 42.15 (Harold Shirley, Alec Jackson, Jatony Pendleton, Danarrion Ard)

400 Meter Dash

1. Shelton Lewis, Stockbridge , 48.53
2. Michael Simmons, Eastside , 48.55
3. Xzaviah Taylor, Southwest DeKalb, 49.15
4. Ademola Adewusi, Whitewater, 49.86

300 Meter Hurdles

1. Isaiah Taylor, Southwest DeKalb, 36.56
2. Marc Stampley, Starr's Mill, 37.64
3. Xzaviah Taylor, Southwest DeKalb, 38.34
4. Eric Toviave, Cartersville, 38.47

800 Meter Run

1. Clark Bilderback, Blessed Trinity, 1:55.42
2. Everett Schroeder, Midtown, 1:55.76
3. Jackson Taylor, Southwest DeKalb, 1:56.25
4. Jake Westing, Decatur, 1:57.01

200 Meter Dash

1. Michael Simmons, Eastside, 21.32
2. Danarrion Ard, Eagle's Landing, 21.37

3. Ali Dargan, Southwest DeKalb, 21.69
4. Taye Seymore, Lithia Springs, 21.85

3200 Meter Run

1. William Carlton, Decatur, 9:20.85
2. Benjamin Rothering, Blessed Trinity, 9:26.78
3. Andrew Lipton, Whitewater, 9:31.00
4. Kaleb Ellis, Harris County, 9:33.21

4x400 Meter Relay

1. SW DeKalb 3:14.63 (Therrian Alexander III, Xzaviah Taylor, Xavier Turner, Isaiah Taylor)
2. Eastside 3:17.53 (Jaden Dix, Jordan Edwards, Jordan Williams, Michael Simmons)
3. Starr's Mill 3:18.12 (Miles Scott, Daniel Vettors, Jerrod White, Nikita Jones)
4. Creekside 3:22.39 (Jordan Afolayan, Dainsus Miller, Derrick White, Daiquan White)

HIGH POINT SCHOOLS

- | | |
|--------------------------|----|
| 1. Southwest DeKalb..... | 84 |
| 2. Blessed Trinity..... | 62 |
| 3. Calhoun..... | 51 |
| 4. Starr's Mill..... | 47 |

CLASS 4A- BOYS

Discus Throw

1. Logan Montgomery, Ridgeland, 175-09
2. James Jackson, Carver, Columbus, 151-09
3. Evan Guyton, West Laurens , 150-01
4. Zahmerius Shiflet, Madison County, J150-01

High Jump

1. JD Black, Heritage-Catoosa, 6-08.00
2. Domonik Henderson, Monroe, J6-08.00
3. Silas Griffin, Northwest Whitfield, 6-06.00
4. Richard Baugh, McDonough, 6-04.00

Long Jump

1. Sammy Hammett, Kendrick, 22-08.75
2. Makel Bridges, Dougherty, 22-02.50
3. Devin Hester, Cedar Shoals, 21-07.50
4. Sammy Brown, Jefferson, 21-04.00

Pole Vault

1. John Harris, North Oconee , 13-06.00
2. Destin Smith, Central, Carroll, 12-06.00
3. Michael Goode, Marist, J12-06.00
4. Adam Henley, Jefferson, J12-06.00

Shot Put

1. Logan Montgomery, Ridgeland, 56-07.75
2. James Jackson, Carver-Columbus, 49-04.00
3. Evan Guyton, West Laurens, 49-02.75
4. Patrick Gardner, Cedartown, 48-07.25

Triple Jump

1. Domonik Henderson, Monroe, 46-09.25
2. Cameron Goggins, Hampton, 46-03.75
3. Trevon Campbell, Bainbridge, 46-02.25
4. Cayden Barnes, Cedar Shoals, 45-10.00

4x800 Meter Relay

1. Fayette Co. 8:08.62# (Dustin Waters, Justin Warner, Desmond Waters, Jaden Warner)
2. Jefferson 8:10.28 (Luke Ranalli, Charlie Cosmano, Zachary Day, Matthew Schroeder)
3. Marist 8:10.98 (Everett Markwalter, Grant Gaffney, Ian Gaffney, Enoch Woldu)
4. Chestatee 8:11.09 (Hugh Pruitt, Aaron Retana, Gavin Grater, Garrett Grater)

110 Meter Hurdles

1. Muhammad Diaby, Carver-Columbus, 14.76
2. Dominique Smith, NW Whitfield, 15.38

STATE TRACK MEETS - 2022

3. Jesse Watkins, Southeast Whitfield, 15.47
4. Jeremiah Carroll, Mays, 15.50

100 Meter Dash

1. Chance Cross, North Oconee, 10.63
2. Jace Coleman, Stephenson, 10.75
3. Chancellor Tanner, Mays, 10.83
4. LaSalle Hewlett, Hampton, 10.93

4x200 Meter Relay

1. Monroe 1:28.87# (Usir Bey, Domonik Henderson, Johnny Cauley, Tykerris Washington)
2. Cedar Shoals 1:29.36 (Devin Hester, Jacob Walker, Tumari Collins, Toby Bolton)
3. Luella 1:29.42 (Elijah Martin, Christopher Wright-Goss, Davonte Jackson, Jordan Dave)
4. Spalding 1:29.73 (Senquavious Alsobrooks, Nazir Berry, Aj Wyatt, Jordan Jester)

1600 Meter Run

1. Matthew Schroeder, Jefferson, 4:22.39
2. Tommy Latham, Marist, 4:27.28
3. Owen Hartshorn, Columbus, 4:27.98
4. Everett Markwalter, Marist, 4:28.20

4x100 Meter Relay

1. Stephenson 41.89 (Cordell Andrews, Jace Coleman, Devin Ingram, Abubakar Diarrassouba)
2. Perry 42.46 (Caleb Wilson, Daequan Wright, Dakari Anderson, Rodney Bryant)
3. Hampton 42.65 (Prince Derring, Omarii James, Cameron Goggins, LaSalle Hewlett)
4. Carver-Col., 42.67 (Jamari Riley, Jayshawn Washington, Jacobi Hatter, Kevin Johnson)

400 Meter Dash

1. Chance Cross, North Oconee, 48.10
2. Jakeem Johnson, Madison County, 48.44
3. Justin Warner, Fayette County, 48.99
4. Jaden Warner, Fayette County, 49.12

300 Meter Hurdles

1. Rodney Bryant, Perry, 38.22
2. Quan Dorsey, Cedartown, 38.76
3. Blake Austin, Columbus, 39.68
4. Muhammad Diaby, Carver-Columbus, 39.70

800 Meter Run

1. Matthew Schroeder, Jefferson, 1:55.23
2. Zahir Raheem, Stephenson, 1:57.59
3. Owen Hartshorn, Columbus, 1:58.44
4. Dustin Waters, Fayette County, 1:58.51

200 Meter Dash

1. Chance Cross, North Oconee, 21.33
2. Jace Coleman, Stephenson, 21.50
3. Abubakar Diarrassouba, Stephenson, 21.58
4. Sammy Brown, Jefferson, 22.01

3200 Meter Run

1. Tommy Latham, Marist, 9:40.40
2. Caden Strickland, Marist, 9:40.48
3. Everett Markwalter, Marist, 9:46.55
4. Garrett Grater, Chestatee, 9:49.04

4x400 Meter Relay

1. Fayette Co. 3:18.07 (Kasahn Rivers, Justin Warner, Jaden Warner, Justus Joseph)
2. Monroe 3:22.77 (Usir Bey, Domonik Henderson, Johnny Cauley, Tykerris Washington)
3. Stephenson 3:22.83 (Kwabena Flowers, Markel Key, Zahir Raheem, Jace Coleman)

4. Cedar Shoals 3:24.23 (Devin Hester, Jacob Walker, Cayden Barnes, Tumari Collins)

HIGH POINT SCHOOLS

1. Marist.....64
2. Stephenson.....59
3. Jefferson.....54
4. North Oconee.....42

CLASS 3A- BOYS

Discus Throw

1. Kanye Fouch, Hart County, 163-09
2. Phillips Moore, Westminster, 162-08
3. Dawson Livingston, Jackson, 154-11
4. Trez Fouch, Hart County, 152-03

High Jump

1. D'Ante Bass, Windsor Forest, 6-06.00
2. JC Curry, Hart County, 6-04.00
3. Aaron Williams, Appling County, J6-04.00
4. Ethan Hibberts, Sonoraville, 6-02.00

Long Jump

1. JC Curry, Hart County, 22-05.00
2. Ted Hurst, Johnson-Savannah, 22-01.50
3. D'Ante Bass, Windsor Forest, 21-10.25
4. Jaylen Fagan, West Hall, 21-07.75

Pole Vault

1. Simon Seid, North Hall, 15-06.00
2. James Hodges, Southeast Bulloch, 14-06.00
3. Gage Lee, Pike County, 13-06.00
4. Diego Martinez, Hart County, J13-06.00

Shot Put

1. Keylan Rutledge, Franklin County, 53-04.00
2. Phillips Moore, Westminster, J53-04.00
3. Patrick Wilson, Long County, 50-02.00
4. Dawson Livingston, Jackson, 50-01.00

Triple Jump

1. JC Curry, Hart County, 45-02.75
2. D'Ante Bass, Windsor Forest, 43-10.00
3. Sean Hughes, White County, 43-07.00
4. Okemus Grier, Jackson, J43-07.00

4x800 Meter Relay

1. Westminster 8:11.71 (Joseph Jacquot, Willem Mandel, Matthew Fernando, Jack Ramsey)
2. Hart County 8:20.30 (Zachary Benner, Cole Risner, Nate Harris, Diego Martinez)
3. GACS 8:23.09 (Addison Alsobrook, Josiah Asfaw, Charlie Davis, Colton Harsh)
4. E. Forsyth 8:30.90 (William Knight, Harrison Hunt, Thomas Pederson, Alex Arrambide)

110 Meter Hurdles

1. Josh Jones, Morgan County, 14.27
2. Dalen Penson, Sandy Creek, 14.90
3. Micah Hunter, Cherokee Bluff, 14.92
4. Tradon McBride, Southeast Bulloch, 15.00

100 Meter Dash

1. Jayce Gray, Crisp County, 10.50
2. Samari Dowdy, Johnson-Savannah, 10.73
3. Eric Jordan, Cedar Grove, 10.82
4. Tyshawn Johnson, Rockmart, 10.98

4x200 Meter Relay

1. SE Bulloch 1:29.11 (Curtis Coleman, Enosh McMillian, Tradon McBride, James Dorsey)
2. Peach Co. 1:29.81 (Sammy Williams, Jamond Jones, Christopher Scott, Cedric Chalk)
3. Liberty Co. 1:30.33 (Caz Creasy, James Summersett, Keyshawn Hollis, Kyan Parker)

4. GACS 1:30.52 (Charles Phillips, Beau O'Brien, Josh Williamson, Gannon Hearst)

1600 Meter Run

1. Matthew Fernando, Westminster, 4:11.61#
2. Alex Arrambide, East Forsyth, 4:11.99
3. Jack Ramsey, Westminster, 4:21.47
4. Stephen Clark, West Hall, 4:25.19

4x100 Meter Relay

1. Crisp County 41.27 (Jayden Gray, Adrion Holton, Jaylin Smith, Jayce Gray)
2. Cedar Grove 41.97 (Barry Jackson, Joseph Slaughter, Eric Jordan, Boden Walker)
3. Sandy Creek 42.52 (John Philips III, Zavion Green, Jordan Harris, Cameron Watts)
4. GACS 42.76 (Gannon Hearst, Josh Williamson, Mason Liggon, Charles Phillips)

400 Meter Dash

1. Darius Smith, Appling County, 49.17
2. William Gituku, Westminster, 49.85
3. DeAndre Buchannon, Carver-Atlanta, 50.05
4. Tre Mitchell, Adairsville, 50.52

300 Meter Hurdles

1. Josh Jones, Morgan County, 38.06
2. Jaquez White, Pierce County, 38.91
3. Griffin Roberds, Oconee County, 39.16
4. Micah Hunter, Cherokee Bluff, 39.49

800 Meter Run

1. Matthew Fernando, Westminster, 1:54.01
2. Alex Arrambide, East Forsyth, 1:54.17
3. Jack Ramsey, Westminster, 1:55.33
4. Cooper Timberman, Oconee County, 1:55.56

200 Meter Dash

1. Jayce Gray, Crisp County, 21.27
2. Curtis Coleman, Southeast Bulloch, 21.59
3. Jaylin Smith, Crisp County, 21.85
4. Eric Jordan, Cedar Grove, 22.11

3200 Meter Run

1. Alex Arrambide, East Forsyth, 9:42.78
2. Zachary Benner, Hart County, 9:46.98
3. Joseph Jacquot, Westminster, 9:47.07
4. Esfan Daya, Westminster, 9:53.86

4x400 Meter Relay

1. Appling Co. 3:22.37 (William Solomon, Jermaine McMillan, Camden Hickox, Darius Smith)
2. Westminster, 3:24.00 (Christian Flournoy, Matthew Fernando, Ethan Mattingly, William Gituku)
3. Douglass, 3:24.59 (Miquan Allen, Stephen Snow, Kendale Brown, Demario Smith)
4. Carver-Atl. 3:28.23 (Jeremiah Arnett-Franklin, DeAndre Buchannon, Taurin Kemp, Kani Smith)

HIGH POINT SCHOOLS

1. Westminster.....89
2. Hart County.....78
3. Southeast Bulloch.....46
3. Crisp County.....36

CLASS 2A - BOYS

Discus Throw

1. Jake Thompson, Bremen, 159-01
2. KB Bonds, Oglethorpe County, 148-11
3. Hunter Rucker, Pace Academy, 147-07
4. Brock Nobles, Toombs County, 144-08

STATE TRACK MEETS - 2022

High Jump

1. Camron Glasper, Vidalia, 6-04.00
2. Jaquavius Lattimore, Swainsboro, 6-02.00
3. Ja'Mal Chase, Josey, 6-00.00
4. Kaleb Buck, Pepperell, J6-00.00

Long Jump

1. Jalon Kilgore, Putnam County, 23-07.00
2. Elijah Hobson, Towers, 23-01.25
3. Gerald Kilgore, Putnam County, 22-08.75
4. Brandon Beasley, Vidalia, 22-03.00

Pole Vault

1. Hunter Manning, Vidalia, J12-06.00
2. Rashaud Burden, Heard County, J12-06.00
3. Ian Byrd, Dade County, 12-00.00
3. Tucker Parrish, Worth County, 12-00.00

Shot Put

1. Darius Barge, Jeff Davis, 52-08.25
2. Jake Thompson, Bremen, 47-11.25
3. Seth Reece, Fannin County, 47-09.50
4. Matthew Crowder, Fannin County, 47-04.75

Triple Jump

1. Elijah Hobson, Towers, 47-00.00
2. LJ Green, Heard County, 46-04.00
3. Zion Odoms, Northeast Macon, 44-08.00
4. Brandon Beasley, Vidalia, 44-03.50

4x800 Meter Relay

1. Pace Acad. 8:02.75# (Edward Blaha, George Blaha, Robert Mallis, Grant Thompson)
2. Lovett, 8:12.85 (Hunt Shurling, Kiran Menachery, Wilson Madden, Henry Hicks)
3. Banks Co. 8:17.62 (Buck Ledford, Pepper Davis, Troy Loggins, Chase Stephens)
4. Union Co. 8:18.33 (Trace Wright, Zander Rotko, Hunter Hartzog, Benton Gregory)

110 Meter Hurdles

1. Michael Fleming, Oglethorpe County, 14.70
2. Trevon Waller, Swainsboro, 15.35
3. Jahlyn Madison, Vidalia, 15.50
4. Kaleb Ryals, Jeff Davis, 15.62

100 Meter Dash

1. Dontavious Braswell, Washington Co., 10.72
2. John Catherman, Pace Academy, 10.75
3. Lakail Magwood, Fitzgerald, 10.87
4. Daniel Jolly, Model, 11.07

4x200 Meter Relay

1. Vidalia 1:29.25# (Brandon Beasley, Jahlyn Madison, Antonio Barron, Tyran Jacobs)
2. Putnam Co. 1:29.87 (Jalon Kilgore, Gerald Kilgore, Jermaine Nelson, Allan Hill)
3. Glenn Hills 1:30.34 (Artez Smith, Antonio Mahogany, Daymond Hardison, Davion Benjamin)
4. Woodville-Tompkins, 1:30.64 (Alex Loyd, Anthony Moody, Jordan Haskell, Nathan Anderson)

1600 Meter Run

1. Simon Schabert, Model, 4:12.65
2. Edward Blaha, Pace Academy, 4:15.04
3. Luke Churchwell, Bleckley County, 4:15.57
4. Buck Ledford, Banks County, 4:19.05

4x100 Meter Relay

1. Swainsboro, 42.11 (Ty Adams, Qindarius Brown, Jordon Williams, Demello Jones)
2. Vidalia, 42.65 (Jordan Powell, Jahlyn Madison, AJ McClendon, Tyran Jacobs)

3. Oglethorpe Co. 42.78 (Will Sampson, Shane Watson, Michael Fleming, Nate Brown)
4. Washington Co. 43.25 (Tylik Gilmore, Jaquaine Hines, Jaylan Carswell, Dontavious Braswell)

400 Meter Dash

1. Davion Benjamin, Glenn Hills, 50.34
2. Gerald Kilgore, Putnam County, 50.91
3. Da'tavion Lawson, Fitzgerald, 50.94
4. Luke Wallace, Lovett, 51.01

300 Meter Hurdles

1. Zion Odoms, Northeast Macon, 38.60
2. Nathan Anderson, Woodville-Tompkins, 39.10
3. Jahlyn Madison, Vidalia, 39.89
4. Trevon Waller, Swainsboro, 40.70

800 Meter Run

1. Simon Schabert, Model, 1:56.30
2. Buck Ledford, Banks County, 1:58.72
3. Grant Thompson, Pace Academy, 1:59.27
4. Hunter Hartzog, Union County, 1:59.53

200 Meter Dash

1. Dontavious Braswell, Washington Co., 21.99
2. John Catherman, Pace Academy, 22.07
3. Lakail Magwood, Fitzgerald, 22.52
4. Elijah Hobson, Towers, 22.60

3200 Meter Run

1. Simon Schabert, Model, 9:04.03
2. Edward Blaha, Pace Academy, 9:05.02
3. Luke Churchwell, Bleckley County, 9:28.35
4. George Blaha, Pace Academy, 9:29.81

4x400 Meter Relay

1. Woodville-Tompkins 3:23.23 (Jalil Coast, Jordan Haskell, Alex Loyd, Nathan Anderson)
2. Pace Acad. 3:26.39 (John Catherman, Justin Bowick, Robert Mallis, Grant Thompson)
3. Putnam Co. 3:28.99 (Malik Thornton, Darrell Bland, Gerald Kilgore, Jalon Kilgore)
4. Union County, 3:30.27 (Trace Wright, Brady Guild, Benton Gregory, Hunter Hartzog)

HIGH POINT SCHOOLS

1. Pace Academy.....73
2. Vidalia.....64
3. Model.....50
4. Oglethorpe County.....48.5

CLASS 1A (Private) - BOYS

Discus Throw

1. Johnerio Holt, Athens Academy, 167-00
2. DJ Chester, ELCA, 153-03
3. Tyler Brown, Stratford Academy, 152-05
4. Eli Miscall, Stratford Academy, 148-03

High Jump

1. Keondre Glover, Stratford Academy, 6-08.00
2. Patrick Shelley, Darlington, 6-06.00
3. Jakoris Smith, Athens Christian, J6-06.00
4. Joshua Harris, Landmark Christian, J6-06.00

Long Jump

1. Joshua Smith, Landmark Christian, 23-04.00
2. Jakoris Smith, Athens Christian, 22-05.00
3. Palmer Schultz, Holy Innocents', 21-03.00
4. Makaan Carter, Mt. Pisgah, J21-03.00

Pole Vault

1. Brenden Vanderpool, Whitefield Ac., 15-02.0#
2. Carson Mckenzie, Mt. Paran, 13-00.00
3. Connor White, Holy Innocents', J13-00.00
4. Zack Colquit, Athens Christian, 12-06.00

Shot Put

1. Johnerio Holt, Athens Academy, 53-07.00
2. DJ Chester, ELCA, 52-09.00
3. Brandon Montford, Landmark Chr, 50-01.00
4. Sincere Bell, Pacelli, 47-05.00

Triple Jump

1. Joshua Smith, Landmark Christian, 48-08.00
2. Keondre Glover, Stratford Acad., 43-07.00
3. RJ Johnson, ELCA, 43-01.00
4. Patrick Shelley, Darlington, 43-00.00

4x800 Meter Relay

1. Mt. Pisgah 8:00.65 (Corey Robinson, Brandon Carpenter, Matthew Dworkin, Michael Lynch)
2. Holy Innocents' 8:03.22 (Byrnes Sudlow, Parker Miles, Brandon Sertl, Joe Sapone)
3. Darlington 8:08.81 (Grant Cross, Landon Liddle, Anthony Natarella, Ryan Glass)
4. Whitefield Acad. 8:10.53 (Clayton Troutman, Andrew Rothwell, Taylor Wade, Peyton Golden)

110 Meter Hurdles

1. Kyle Roberts, Hebron Christian, 15.24
2. Boles Middleton, Deerfield-Windsor, 15.47
3. Ian Tukes, Landmark Christian, 15.81
4. Micah Mumford, Mt. Paran, 15.88

100 Meter Dash

1. John Robinson, King's Ridge, 10.58
2. Skyler Hall, Holy Innocents, 10.81
3. Kenneth Odom, Sav. Country Day, 10.92
4. Austin McGee, Athens Academy, 10.96

4x200 Meter Relay

1. Calvary Day 1:27.94# (Trevor Strowbridge, Buddy Gary, Donovan Johnson, Garrhet Manning)
2. Whitefield Acad. 1:28.69 (Cutty Patton, Brenden Vanderpool, Andrew Glover, Jonathan Johnson)
3. Athens Academy 1:29.27 (Preston Darden, Jamari Welch, Aidan Saeed, Austin McGee)
4. Mt. Paran 1:29.35 (Remington Adams, Jylan Thomas, Christian Hewling, Micah Lott)

1600 Meter Run

1. Joe Sapone, Holy Innocents, 4:11.78
2. Taylor Wade, Whitefield Academy, 4:20.47
3. Jackson Scruggs, Athens Academy, 4:21.72
4. Peyton Golden, Whitefield Acad., 4:23.16

4x100 Meter Relay

1. Mt. Paran 42.38 (Remington Adams, Jylan Thomas, Micah Lott, Christian Hewling)
2. ELCA 42.39 (Jacque Holley, Brandon Hood, Blake McGill, Miles Norwood)
3. Sav. Country Day, 42.79 (Kenneth Odom, Keith James, Reese London, Alex Wynn)
4. Mt. Vernon, 43.10 (Benjamin Spitz, Nagari Tophia, Christopher Kartsonas, Liam O'Toole)

400 Meter Dash

1. Jamari McIvory, Savannah Christian, 48.49
2. Barry Young, Calvary Day, 48.85
3. Max Tucker, Mt. Pisgah, 49.17
4. Micah Dennis, Landmark Christian, 49.23

300 Meter Hurdles

1. Brady Roper, First Presbyterian, 39.99
2. Jordan Tolbert, First Presbyterian, 40.24
3. Kyle Roberts, Hebron Christian, 41.49
4. Navy Curry, Athens Christian, 41.80

STATE TRACK MEETS - 2022

800 Meter Run

1. Joe Sapone, Holy Innocents', 1:52.69
2. Max Tucker, Mt. Pisgah, 1:56.46
3. Liam Hanemann, Atlanta Inter., 1:57.51
4. Landon Liddle, Darlington, 1:57.56

200 Meter Dash

1. John Robinson, King's Ridge, 21.18
2. Jacque Holley, ELCA, 21.94
3. Barry Young, Calvary Day, 21.95
4. Skyler Hall, Holy Innocents', 22.01

3200 Meter Run

1. Taylor Wade, Whitefield Academy, 9:37.25
2. Peyton Golden, Whitefield Acad., 9:42.35
3. Jackson Scruggs, Athens Academy, 9:46.20
4. Nathan Smith, Athens Christian, 9:48.32

4x400 Meter Relay

1. Holy Innocents' 3:23.10 (Robert Beck, Skyler Hall, Ryan Kelley, Joe Sapone)
2. Landmark Christian, 3:23.14 (Joshua Smith, Micah Dennis, Ian Tukes, London Costen)
3. Prince Avenue 3:25.66 (Robert Skaggs, Joshua Britt, Zach Hill, Ethan Christian)
4. Athens Academy, 3:29.80 (Preston Darden, Evan Smith, Aidan Saeed, Ryland Marley)

HIGH POINT SCHOOLS

1. Holy Innocents'.....68
2. Whitefield Academy.....64
3. Athens Academy.....63
3. Landmark Christian.....63

CLASS 1A (Public) - BOYS

Discus Throw

1. Ramon Dardy, Dublin, 139-08
2. Jalen Brooks, Terrell County, 136-07
3. Ken'Wan Felton, Macon County, 129-01
4. Dennis Thomas, Warren County, 127-03

High Jump

1. Azaria Smith, Turner County, 6-06.00
2. Xavier Brantley, Montgomery Co., 6-04.00
3. Christian Terrell, Mt. Zion, Carroll, 6-02.00
4. Ty Lanier, Screven County, 6-00.00

Long Jump

1. Jamarquez Tyson, Wash.-Wilkes, 21-11.25
2. Teddy Swanson, Marion County, 21-10.00
3. Elijah Stephens, Turner County, 21-04.50
4. Israel Meggett, Drew Charter, 20-10.00

Pole Vault

1. Lambdin Hardy, Commerce, 14-00.00
2. Colin Hall, Commerce, 13-00.00
3. Conner Whitman, Gordon Lee, J13-00.00
4. Levi Johnson, Schley County, 12-06.00

Shot Put

1. Ken'Wan Felton, Macon County, 50-02.50
2. Darren Burton, Jenkins County, 48-00.00
3. Jalen Brooks, Terrell County, 47-10.75
4. Troy Averett, Hawkinsville, 47-09.50

Triple Jump

1. Phillip Baynes, Social Circle, 46-01.00
2. Xavier Brantley, Montgomery Co., 45-03.00
3. Sherrod Montgomery, Mt. Zion, 44-02.00
4. Zion Davis, Dublin, 44-00.00

4x800 Meter Relay

1. GMC 8:38.65 (Jacob Sanford, Julian Council, Alex French, Walker Bloodworth)
2. BEST Ac. 8:39.87 (DeCarlos McKinney, Khlyen Norman-Harris, Trynton Pless, Tigris Rembert)

3. Montgomery Co. 8:58.10 (Jamarion Henderson, Gregory Rau, Collin Coleman, Jordyn Patterson)
4. Treutlen 8:59.52 (Zach Edge, PJ Smiley, Zay Lewis, Meeko Terry)

110 Meter Hurdles

1. Xavier Brantley, Montgomery County, 15.11
2. Jeremiah Green, Dublin, 15.46
3. Caleb Martin, Drew Charter, 15.65
4. Garrett Ross, Marion County, 15.74

100 Meter Dash

1. Timothy Blair, Treutlen, 11.17
2. Ty Lanier, Screven County, 11.20
3. Tevin Gartrell, Lincoln County, 11.30
4. NiShawn Wise, Montgomery County, 11.31

4x200 Meter Relay

1. Montgomery Co. 1:30.44 (NiShawn Wise, Samari Madison, Cameron Wallace, Javeon Telfair)
2. Brooks Co. 1:30.79 (Janavian Leggett, Kamari Blankumsee, Tre Jackson, Jamal Sanders)
3. Commerce 1:33.26 (Jaiden Daniels, Dreylan Martin, Jacari Huff, Wesley Usher)
4. McIntosh Co. Acad. 1:33.40 (Jaylan Dallas, Monte Stokes, MJ Quarterman, T.J. Reed)

1600 Meter Run

1. Nathan Hallar, Ace Charter, 4:44.84
2. Kzon Dennis, Greene County, 4:46.77
3. Julian Council, GMC, 4:51.85
4. Matthew Campbell, Armuchee, 4:57.31

4x100 Meter Relay

1. Lincoln County 42.83 (Franklin Brown, Caden Zellars, Tevin Gartrell, Trey Huff)
2. Montgomery Co. 42.87 (Samari Madison, Cameron Wallace, Javeon Telfair, NiShawn Wise)
3. Washington-Wilkes, 43.08 (Deamonte Grant, Quinzabian Jackson, Jamarquez Tyson, Dalen Cobb)
4. Screven County, 43.41 (Aaron Beths, Jeremiah Burns, Timothy Frank, Ty Lanier)

400 Meter Dash

1. Antavious Richardson, Greenville, 49.57
2. Israel Meggett, Drew Charter, 50.23
3. Eric White Jr., Drew Charter, 50.35
4. Zachary Harris, Drew Charter, 50.44

300 Meter Hurdles

1. Jeremiah Green, Dublin, 40.15
2. Derrick Irons, McIntosh Co. Academy, 40.64
3. Jordan Coney, Treutlen, 41.17
4. Xavier Brantley, Montgomery County, 41.35

800 Meter Run

1. Walker Bloodworth, GMC, 2:05.02
2. Jordyn Patterson, Montgomery Co., 2:05.61
3. Kzon Dennis, Greene County, 2:06.61
4. Landon England, Armuchee, 2:07.58

200 Meter Dash

1. Eric White Jr., Drew Charter, 22.11
2. Cameron Wallace, Montgomery Co., 22.29
3. Ty Lanier, Screven County, 22.36
4. Caleb Bush, Georgia Military College, 22.57

3200 Meter Run

1. Kzon Dennis, Greene County, 10:22.46
2. Nathan Hallar, Ace Charter, 10:22.47
3. Alex Tunnel, Ace Charter, 10:56.06
4. Julian Council, GMC, 10:59.45

4x400 Meter Relay

1. Drew Charter 3:27.23 (Israel Meggett, Zachary Harris, Hunter Smith, Eric White)
2. GMC 3:30.55 (Brandon Cobb, Corey Brookins, Walker Bloodworth, Caleb Bush)
3. Dublin 3:34.22 (Marius Watson, Zion Davis, Kameron Hampton, JaQuarius Evans)
4. Montgomery Co, 3:36.13 (Demorrius Brooker, Ahmad Carter, Samari Madison, Jordyn Patterson)

HIGH POINT SCHOOLS

1. Montgomery County.....89
2. Drew Charter.....55
3. Georgia Military College.....50
4. Dublin.....46

Class 7A- Girls

Discus Throw

1. Kameryn Hannon, Grayson, 128-05
2. Maya Steines, Alpharetta, 127-07
3. Amaani Hogan, Archer, 125-05
4. Briana Parker-O'Connor, Hillgrove, 122-09

High Jump

1. Ariyah Davis, Lowndes, 5-04.00
2. Trinity Hunter, Lowndes, J5-04.00
3. Courtney Nesbitt, Archer, 5-02.00
4. Sarah Pipping, Forsyth Central, 5-00.00

Long Jump

1. Skylar Harrelson, Cherokee, 19-05.50
2. Chloe Perryman, Brookwood, 19-01.50
3. Trinity Williams, Dunwoody, 18-02.00
4. Jordyn Ash, Newton County, 17-09.75

Pole Vault

1. Riley Jones, South Forsyth, 12-06.00#
2. Nicole Counter, Denmark, J12-06.00#
3. Silvana Lopez-Ramirez, W. Forsyth, 11-06.00
4. Lydia Kimsey, Forsyth Central, J11-06.00

Shot Put

1. Sha'nyia Woolery, Berkmar, 43-04.50
2. Christianne Akintayo, Archer, 40-01.00
3. Lexie Durban, North Forsyth, 39-07.00
4. Maya Steines, Alpharetta, 39-05.50

Triple Jump

1. Kaylan McConnehead, Lowndes, 38-08.50
2. Skylar Harrelson, Cherokee, 38-06.75
3. Jordyn Ash, Newton County, 37-07.75
4. Cerenity Daise, Pebblebrook, 37-06.75

4x800 Meter Relay

1. Harrison 9:19.30# (Riley Curtis, Kate Curtis, Lidia Longo, Samantha McGarity)
2. Hillgrove 9:29.57 (Ava Brooks, Yolanda Brooks, Meghan Flanagan, Reese Terza)
3. Etowah 9:32.33 (Makenna Calbert, Natalie Calbert, Katie Aycock, Meg Lance)
4. Brookwood 9:40.81 (Allie Wardle, Macy Felton, Trinity Thurman, Kayci Jordan)

100 Meter Hurdles

1. Zion Rice, Campbell, 13.95
2. Zoe Ziglor, Harrison, 14.27
3. Camryn King, Archer, 14.48
4. Veajah Hylton, Brookwood, 14.58

100 Meter Dash

1. Kaniya Johnson, Lowndes, 11.26#
2. Tamiia Fuller, Peachtree Ridge, 11.44
3. Ryan Davis, Hillgrove, 11.83
4. Anaya Fraser, McEachern, 11.90

STATE TRACK MEETS - 2022

4x200 Meter Relay

- Hillgrove 1:39.22# (Ryan Davis, Ayva Dottin, Morgan Gordon, Christina Joseph)
- Brookwood 1:39.74 (Serena Tate, Madison Campbell, Elle Bass, Chloe Perryman)
- McEachern 1:41.18 (Kaiamori Littlejohn, McKenna Boykin, Christian Knight, Kara Stewart)
- Lowndes 1:42.48 (Liberty Bell, Taleyah Belcher, Trinity Hunter, My'Asia Howard)

1600 Meter Run

- Samantha McGarity, Harrison, 4:57.93
- Lily Cincola, Cherokee, 5:00.59
- Lexi Pavese, Cherokee, 5:03.97
- Claire Shelton, Dunwoody, 5:05.58

4x100 Meter Relay

- Lowndes 45.93 (Kaedreon Thomas, Kaniya Johnson, Kenyere Walden, Kaylan McConnehead)
- Hillgrove 46.41 (Ryan Davis, Ayva Dottin, Morgan Gordon, Christina Joseph)
- McEachern 46.92 (Anaya Fraser, Diaman Lee, Kara Stewart, Yasmine Williams)
- Peachtree Ridge 47.10 (Ron-Niah Wright, Trinity Marshall, Evet Jones, Tamiia Fuller)

400 Meter Dash

- Serena Tate, Brookwood, 54.88
- Sydney Nettles, Campbell, 55.75
- Kieryn Jeter, Forsyth Central, 55.77
- Zoe Turner, Pebblebrook, 56.56

300 Meter Hurdles

- Zion Rice, Campbell, 43.40
- Kara Stewart, McEachern, 43.83
- Ron-Niah Wright, Peachtree Ridge, 44.21
- Kaedreon Thomas, Lowndes County, 44.64

800 Meter Run

- Sydney Augmon, Peachtree Ridge, 2:13.58
- Taylor Watkins, Discovery, 2:16.24
- Meg Lance, Etowah, 2:18.22
- Lily Cincola, Cherokee, 2:18.24

200 Meter Dash

- Kaniya Johnson, Lowndes, 23.20
- Tamiia Fuller, Peachtree Ridge, 23.67
- Anaya Fraser, McEachern, 24.21
- Skylar Harrelson, Cherokee, 24.28

3200 Meter Run

- Samantha McGarity, Harrison, 10:46.91
- Ava Brooks, Hillgrove, 11:03.80
- Maddie Jones, Marietta, 11:05.00
- Reese Terza, Hillgrove, 11:06.76

4x400 Meter Relay

- Lowndes 3:43.29# (Trinity Hunter, Kaniya Johnson, My'Asia Howard, Kaylan McConnehead)
- McEachern 3:48.87 (Christian Knight, Kiyah Boyd, McKenna Boykin, Anaya Fraser)
- Peachtree Ridge, 3:53.01 (Madison Jenkins, Meagan Turner, Tamiia Fuller, Daylin Gibson)
- Lambert 3:56.91 (Salima Jabbie, Caroline Harris, Aminah Jabbie, Susie Harris)

HIGH POINT SCHOOLS

- Lowndes.....83
- Hillgrove.....60.5
- Cherokee.....51
- McEachern.....51

Class 6A- Girls

Discus Throw

- Noelle Igberaese, Dacula, 129-10
- Zoie Johnson, Osborne, 126-06
- Skylar Soli, Douglas County, 126-05
- Jayla Gilbert, Carrollton, 122-08

High Jump

- Aiya Webb, Buford, 5-06.00
- Lea Bochette, Lee County, J5-06.00
- Danah Nembhard, Dacula, J5-06.00
- Zion Lockette, Westlake, 5-04.00
- Azziza Flowers, Statesboro, 5-04.00

Long Jump

- Adaejah Hodge, Alexander, 20-04.25#
- Kayla Pinkard, Carrollton, 19-03.00
- Kennedy Hood, Morrow, 18-10.50
- T'Oni Birden, Heritage-Conyers, 18-05.50

Pole Vault

- Liv Bollenbacher, Cambridge, 12-01.00
- Keira Hight, Sequoyah, 11-03.00
- Cassidy Woodham, Kennesaw Mt., 10-09.00
- Madison Phillips, Carrollton, 10-03.00

Shot Put

- Skylar Soli, Douglas County, 43-10.00
- Avery Fisher, Richmond Hill, 39-00.00
- Jayla Gilbert, Carrollton, 37-10.50
- Dru Green, Carrollton, 37-07.00

Triple Jump

- Kayla Pinkard, Carrollton, 40-11.50
- Cameron Hodges, Heritage-Con., 38-08.50
- Alisa Gordon, Alexander, 38-07.75
- Miya Winston, Rome, 37-05.25

4x800 Meter Relay

- Alexander 9:49.34 (Courtney Adams, Sydney Lowe, Linda Vasquez, Jianna Hibbler)
- Cambridge 10:00.96 (Faith Hirschi, Logan Huddle, Jessica Hernandez, Emily Meeker)
- River Ridge 10:09.95 (Cayden Crimson, Alyssa Roberts, Kelly Miles, Caitlin Johnson)
- Allatoona 10:11.45 (Kelsey Grass, Mariana Bechtold, Emily Hohl, Abby Hohl)

100 Meter Hurdles

- Jasmine Harmon, Westlake, 13.38
- Kalani Witherspoon, Carrollton, 14.07
- Meg Coleman, Dalton, 14.48
- Allyria McBride, Wheeler, 14.53

100 Meter Dash

- Adaejah Hodge, Alexander, 11.33#
- Victoria Teasley, Alexander, 11.61
- Kenadie Singleton, Houston County, 12.02
- Imari Johnson, Westlake, 12.03

4x200 Meter Relay

- Alexander 1:39.34# (Camille Crowder, Makenzie Edwards, Victoria Teasley, Shia Tobias-Wolffe)
- Westlake 1:39.61 (Caylie Jefferson, Jaden Billings, Zaniyah Jones, Zion Lockette)
- Valdosta 1:41.32 (Tranira Booker, Keyeria White, Emily Asola, Rayna Skrine)
- Grovetown 1:41.46 (Emoni Owens, Eyonna Owens, Paris Ivery, Zy'on Thompson)

1600 Meter Run

- Simone Rojas, Evans, 4:55.52
- Alexa Hoppenfeld, Riverwood, 5:06.03
- Lorel Golden, Pope, 5:10.58
- Katelynn Dollar, Creekview, 5:14.21

4x100 Meter Relay

- Westlake 46.39 (Imari Johnson, Jasmine Harmon, Zion Lockette, Jaden Billings)
- Tucker 46.73 (Nijah Lewis, Mallory Hodge, Janiyah Alibey, Parker Parks)
- Lakeside-Evans 46.87 (Anetra Graham, Langsten Lilly, Trinyty Gregory, Rikki Carver)
- Alexander 47.16 (Camille Crowder, Tobias Wolffe, Makenzie Edwards, Victoria Teasley)

400 Meter Dash

- Adaejah Hodge, Alexander, 53.26
- Sydney Harris, Buford, 54.07
- Mallory Hodge, Tucker, 55.65
- Gabrielle Dandridge, Cambridge, 56.80

300 Meter Hurdles

- Allyria McBride, Wheeler, 42.58
- Kennedy Myers, Lakeside-Evans, 43.34
- Mataya Gayle, River Ridge, 43.67
- Celeania Rollerson, Heritage-Conyers, 44.14

800 Meter Run

- Cortney Adams, Alexander, 2:16.50
- Charlotte Dunn, Pope, 2:18.80
- Somaria Courtney, Richmond Hill, 2:21.65
- Sydney Lowe, Alexander, 2:22.10

200 Meter Dash

- Adaejah Hodge, Alexander, 23.40
- Mallory Hodge, Tucker, 24.05
- Sydney Harris, Buford, 24.27
- Victoria Teasley, Alexander, 24.38

3200 Meter Run

- Alexa Hoppenfeld, Riverwood, 11:02.03
- Simone Rojas, Evans, 11:10.92
- Lorel Golden, Pope, 11:26.08
- Cayden Crimson, River Ridge, 11:29.40

4x400 Meter Relay

- Chattahoochee 3:48.94 (Autumn Cotton, Tyler Lowe, Kaya Booker, Sydney Harmon)
- Lakeside-Evans 3:53.37 (Anetra Graham, Langsten Lilly, Kennedy Myers, Rikki Carver)
- Westlake 3:57.64 (Zhai Holmes, Mia McGee, Zaniyah Jones, Kayla Johnson)
- North Atlanta 3:59.20 (Amber Jamison, Sage Glover, Tori Sadler, Camille Williams)

HIGH POINT SCHOOLS

- Alexander.....107
- Carrollton.....57
- Westlake.....51.5
- Lakeside-Evans.....33

Class 5A- Girls

Discus Throw

- Jae'l Dunn, Stockbridge, 143-06
- Laura Molina, Wayne County, 138-08
- Neely Rogan, Apalachee, 131-01
- Dayneja Atkins, Stockbridge, 128-06

High Jump

- Zy Thompson, Griffin, J5-06.00
- Queens Adams, Jonesboro, J5-06.00
- Nadiyah Byard, Griffin, 5-04.00
- Oluchi Ugabajah, McIntosh, 5-02.00

Long Jump

- Jaci Wright, Jackson-Atlanta, 18-10.50
- Efemena Egberi, Loganville, 18-09.00
- Jailah Lee, Veterans, 18-05.00
- Mary Rozier, Eagle's Landing, 18-03.75

STATE TRACK MEETS - 2022

Pole Vault

1. Layla Keadle, North Springs, 11-06.00
2. Molly Devinney, Woodward, J11-06.00
3. Malahne Walker, Chapel Hill, 11-00.00
4. Brianna Cleary, Chapel Hill, J11-00.00

Shot Put

1. Ayana Pugh, Jonesboro, 41-02.00
2. Zemaya Carson, Warner Robins, 38-10.75
3. Jae'l Dunn, Stockbridge, 38-10.00
4. Kayley Bednarek, Loganville, 38-07.50

Triple Jump

1. Jaci Wright, Jackson-Atlanta, 38-01.25
2. Zaili Gantt, Clarke Central, 37-04.75
3. Peyton Funderburk, Woodward, 37-01.00
4. Naomi Johnson, Northview, 36-09.50

4x800 Meter Relay

1. Decatur 9:29.94 (Gabriella Malerba, Anna Blaich, Sophie D'Elena, Katie Sherwood)
2. Blessed Trinity 9:38.03 (Ashlei Murray, Clare Cole, London Ray, Kaitlyn Mackenzie)
3. Union Grove 9:53.35 (Gabby Parsons, Bianca Parsons, Carson Brantley, Albany Robinson)
4. Greenbrier 9:55.27 (Elly Pick, Jayden Mikell, Allison Sidley, Caleigh Munro)

100 Meter Hurdles

1. Jessicka Woods, Jackson-Atlanta, 14.05
2. Jaci Wright, Jackson-Atlanta, 14.31
3. Synai Jones, Dutchtown, 14.64
4. Laila Stowe, Union Grove, 15.02

100 Meter Dash

1. Isis Banks, Lithia Springs, 11.82
2. Destiny Jenkins, Lithia Springs, 12.05
3. Mary Rozier, Eagle's Landing, 12.11
4. Solai Washington, Chamblee, 12.14

4x200 Meter Relay

1. Jackson-Atl. 1:39.69# (Jessicka Woods, Kaseiana Meriweather, Aijalon Wilson, Kennedy Walker)
2. Northside-Col. 1:40.22 (Malaisha Johnson, Olivia Cosby, Ky'Ann Henderson, Kennedy Coleman)
3. Blessed Trinity 1:40.41 (Madison DeCamp, Kylie Kisz, JoJo Miller, Francesca Procaccini)
4. Dutchtown 1:41.27 (Amari Barkley, Tiara Coley, Ansley Guy, Sade Winslow)

1600 Meter Run

1. Lottie Chappell, North Springs, 4:58.61
2. Kelly Ann Sutterfield, Blessed Trin., 5:08.65
3. Claire Petersen, Blessed Trinity, 5:09.39
4. Gabby Parsons, Union Grove, 5:09.66

4x100 Meter Relay

1. Jackson-Atlanta 47.41 (Sequoia Farley, Kaseiana Meriweather, Aijalon Wilson, Jessicka Woods)
2. Eagle's Landing 47.57 (Kaylah Webley, Zatroya Holiday, D'Mija Davis, Mary Rozier)
3. Lithia Springs 47.62 (Isis Banks, Nikylah Crowley, Destiny Jenkins, Nevaeh Shedrick)
4. Woodward 48.39 (Peyton Funderburk, Chelsea Williams, Mikayla Virgin, Dillyn Green)

400 Meter Dash

1. Madison Gardner, Banneker, 55.17
2. Kenyah Conner, Woodward, 56.09
3. Jordyn Parker, Chamblee, 56.25
4. Kirah Copeland, Stockbridge, 56.43

300 Meter Hurdles

1. Jessicka Woods, Jackson-Atlanta, 42.39

2. Danajya Harper, Midtown, 43.10
3. Alyssa Willer, Apalachee, 44.57
4. Synai Jones, Dutchtown, 44.80

800 Meter Run

1. Kenyah Conner, Woodward, 2:12.90
2. Oluwatosin Awoloye, Creekside, 2:12.98
3. Lena Cook, Clarke Central, 2:15.02
4. Lottie Chappell, North Springs, 2:16.38

200 Meter Dash

1. Jordyn Parker, Chamblee, 24.49
2. Isis Banks, Lithia Springs, 24.49
3. Madison Gardner, Banneker, 24.91
4. Kaseiana Meriweather, Jackson-Atl., 25.11

3200 Meter Run

1. Kelly Ann Sutterfield, Blessed Trin., 11:05.96
2. Anna Blaich, Decatur, 11:10.01
3. Millie Quick, Greenbrier, 11:17.97
4. Gabriella Malerba, Decatur, 11:23.49

4x400 Meter Relay

1. Stockbridge 3:51.62 (Quenteria Birts, Jashya Burgess, Jazmine Anderson, Kirah Copeland)
2. Woodward 3:52.24 (Kenyah Conner, Olivia Powell, Chelsea Williams, Dillyn Green)
3. Banneker 3:52.28 (Jakayla Campbell, Madison Gardner, Kaylin Jackson, Trinity Jordan)
4. Northside-Columbus, 3:56.65 (Ky'Ann Henderson, Malaisha Johnson, Olivia Cosby, Zaria Law)

HIGH POINT SCHOOLS

1. Jackson-Atlanta.....84
2. Woodward Academy.....56
3. Blessed Trinity.....52
4. Stockbridge.....46

Class 4A— Girls

Discus Throw

1. Raven Williams, Bainbridge, 117-01
2. Makayla Register, West Laurens, 115-08
3. Avah Morrison, Heritage-Catoosa, 114-08
4. Eve Knight, Jefferson, 102-03

High Jump

1. Angelina Casey, Pickens, 5-02.00
2. Harper Carstens, Heritage-Catoosa, 5-00.00
2. Jazmine Walker, Baldwin, 5-00.00
2. Megan Taylor, Columbus, 5-00.00

Long Jump

1. Jada Pittman, Jefferson, 18-11.00
2. Rasunek Tyler-Thompson, Miller Gro., 18-02.00
3. D'Metronna Spencer, Thomas Co. Cn., 17-11.50
4. Areale Mitchell, Mt. Zion-Jones., 17-02.50

Pole Vault

1. Sadie Arnold, North Oconee, 10-09.00
2. Em Jones, Central, Carroll, 10-00.00
3. Ella Kulniszewski, Jefferson, 9-06.00
4. Kate Euart, Marist, J9-06.00

Shot Put

1. Makayla Register, West Laurens, 41-04.00
2. Onoyeme Egure, Fayette County, 39-07.50
3. Amber Brown, Marist, 39-01.25
4. Treasure Jenkins, Bainbridge, 37-03.50

Triple Jump

1. Maleah Tidwell, West Laurens, 37-05.00
2. Ty'Kira Garrett, Stephenson, 37-01.50
3. Kate Lauterbach, Marist, 37-00.00
4. Shamira Elam, Columbus, 36-06.00

4x800 Meter Relay

1. Marist 9:37.07# (Aggie Law, Stella Chambless, Maeve Waddell, Nicole Barrios)
2. North Oconee 9:45.02 (Kyla Scott, Emily Smith, Isabelle Currie, Ansleigh Prell)
3. Jefferson 10:04.12 (Katherine Law, Kiley Powell, Lauren Hailey, Emily Byrd)
4. Luella 10:09.56 (Caitlin Webb, Camille Moses, Shellease Stafford, JaBresha Palmer)

100 Meter Hurdles

1. Kailey Elliott, Arabia Mountain, 14.18
2. Rasunek Tyler-Thompson, Miller Grove, 14.43
3. Nafer Rapier, Baldwin, 14.85
4. Candace Taylor, Arabia Mountain, 15.21

100 Meter Dash

1. Sanaa Frederick, Druid Hills, 11.93
2. Michaya Fonfield, Spalding, 12.15
3. Marissa Palmer, New Hampstead, 12.20
4. Janea Adams, Central, Carroll, 12.32

4x200 Meter Relay

1. Monroe 1:42.51# (Eve Craig, Marianna Wright, Jurdyn Johnson, Tristen Chaney)
2. Miller Grove 1:43.60 (Victoria Alayende, Aryan Franklin, Jayla Harrington, Jillian Kidd)
3. Columbus 1:43.72 (Maya Bagsby, Gabrielle Harris, Angel King, Taylor Smith)
4. Fayette County 1:43.98 (Jhanya Chenault, Nicole Kutob, Naomi White, Nia Hence)

1600 Meter Run

1. Johna Grisik, Marist, 5:01.93
2. Ruby Little, Marist, 5:02.90
3. Katherine Law, Jefferson, 5:06.82
4. Kate Selover, Marist, 5:14.78

4x100 Meter Relay

1. Druid Hills 47.69 (Jadyn Bolden, Miya Carthan, Sanaa Frederick, Sole Frederick)
2. Spalding 48.18 (Jernyla Andrews, Quitara Castlin, Michaya Fonfield, Brandi Heard)
3. Arabia Mtn. 48.32 (Arielle Brayboy, Davenae Fagan, Candace Taylor, Kailey Elliott)
4. Westover 48.71 (Ehreaul Jackson, Jatoria Mcghee, Taylor Singleton, Madison Mitchell)

400 Meter Dash

1. Davenae Fagan, Arabia Mountain, 54.67
2. Marianna Wright, Monroe, 55.64
3. Amiya Holt, Stephenson, 57.13
4. Amilliana Simmons, Baldwin, 57.29

300 Meter Hurdles

1. Marianna Wright, Monroe, 43.84
2. Nafer Rapier, Baldwin, 43.96
3. Jaeva Ridley, Luella, 46.28
4. Josie Loggins, Jefferson, 46.51

800 Meter Run

1. Johna Grisik, Marist, 2:16.19
2. Nicole Pizzo, Marist, 2:18.02
3. Harley Martz, Druid Hills, 2:21.73
4. JaBresha Palmer, Luella, 2:22.02

200 Meter

1. Sanaa Frederick, Druid Hills, 24.34
2. Davenae Fagan, Arabia Mountain, 24.56
3. Rasunek Tyler-Thompson, Miller Grove, 24.70
4. Madison Mitchell, Westover, 24.80

3200 Meter Run

1. Ruby Little, Marist, 10:50.40
2. Katherine Law, Jefferson, 11:18.33

STATE TRACK MEETS - 2022

- Nicole Pizzo, Marist, 11:29.18
- Katie Blount, Druid Hills, 11:29.72

4x400 Meter Relay

- Monroe 3:52.23 (Eve Craig, Marianna Wright, Kaitlyn Williams, Jurdyn Johnson)
- Druid Hills 3:53.64 (Jadyn Bolden, Miya Carthan, Sanaa Frederick, Sole Frederick)
- Baldwin 3:56.88 (Ja'Myah Cummings, Jordyn Bolston, Nafer Rapier, Amilliana Simmons)
- Luella 3:58.95 (Taylor Thomas, JaBresha Palmer, Kameron Noble, Jaeva Ridley)

HIGH POINT SCHOOLS

- | | |
|-------------------------|----|
| 1. Marist..... | 96 |
| 2. Jefferson..... | 61 |
| 3. Druid Hills..... | 56 |
| 4. Arabia Mountain..... | 43 |

Class 3A – Girls

Discus Throw

- Leia Williams, Liberty County, 151-10#
- Autumn Clark, GACS, 130-04
- Alana Thomas, GACS, 130-00
- Kendra Dye, White County, 120-00

High Jump

- Taylor McCormick, Gilmer, 5-06.00
- Maci Shelnut, White County, J5-06.00
- Kelsey Chambers, Westminster, 5-04.00
- Janine Horst, Westminster, 5-02.00

Long Jump

- Chelsea Davis, Sandy Creek, 19-06.75
- Grace Smith, Westminster, 19-06.50
- Teandra Clemons, Appling County, 18-07.00
- Kelsey Chambers, Westminster, 17-11.50

Pole Vault

- Amelia Johnson, Hart County, 12-05.00#
- Madison Townsend, Westminster, 11-00.00
- Annalise Hale, Oconee County, 10-00.00
- Genae Horst, Westminster, 9-06.00

Shot Put

- Alana Thomas, GACS, 38-11.00
- Leia Williams, Liberty County, 38-05.50
- Autumn Clark, GACS, 38-03.00
- Azaria Green, Redan, 37-08.00

Triple Jump

- Chelsea Davis, Sandy Creek, 40-10.00#
- Kelsey Chambers, Westminster, 40-03.75
- Kiyami Zimmerman, Monroe Area, 37-03.25
- Ja'Niyah Gardner, Burke County, 36-01.00

4x800 Meter Relay

- Westminster 9:27.56# (Janie Cooper, Cate Stevens, Alexandra Lalli, Palmer Walstad)
- North Hall 10:02.27 (Abi Moore, Clodagh O'Bryant, Jessie Dubnik, MaKayla Jones)
- Savannah Arts 10:05.76 (Margaret Wade, Camille Arango, Ava Coffey, Lyric Olson)
- Oconee County 10:28.16 (Sydney Matthews, Emma Champer, Abby Provost, Alexa Brock)

100 Meter Hurdles

- Grace Smith, Westminster, 14.43
- Hannah Cheek, Cherokee Bluff, 14.81
- Kelsey Chambers, Westminster, 14.83
- Antalia Center, Central-Macon, 15.03

100 Meter Dash

- Nia Wilson, GACS, 11.66
- Grace Smith, Westminster, 11.83

- Tamyra Blackmon Harris, Peach Co., 12.13
- Eustacia Arnold, Carver-Atlanta, 12.18

4x200 Meter Relay

- Appling Co. 1:42.82# (Jasmine Holmes, Peri Mitchell, Teandra Clemons, Cadence Cray)
- Cherokee Bluff 1:42.88 (Lauryn Perry, Amerae Beverly, M'Kaylah Jackson, Olivia Owens)
- Mary Persons 1:43.07 (Anaja Lucear, Anyana Barkley, Campbell Brown, Jataria Hardy)
- Monroe Area 1:43.64 (Vashondra Sandifer, Morgan Graham, Alana Jones, Ajiuna Upshaw)

1600 Meter Run

- Palmer Walstad, Westminster, 4:55.07
- Margaret Wade, Savannah Arts, 4:55.45
- Clodagh O'Bryant, North Hall, 5:01.16
- Lyric Olson, Savannah Arts, 5:06.38

4x100 Meter Relay

- Carver-Atl. 48.51 (Nyla Thomas, Eustacia Arnold, Darnesha Binn, Itavia McCord)
- GACS 48.89 (China Moody, Ivy Holland, Nia Wilson, Elizabeth Cloutd)
- Monroe Area, 49.03 (Addison Ray, Ajiuna Upshaw, Alana Jones, Morgan Graham)
- Appling County, 49.11 (Jada Williams, Peri Mitchell, Teandra Clemons, Cadence Cray)

400 Meter Dash

- Isis Symone Grant, Sandy Creek, 57.01
- Adriunna Earl, Hart County, 57.68
- Antonia Pittman, East Jackson, 58.33
- Camille Quarterman, Westminster, 59.25

300 Meter Hurdles

- Grace Smith, Westminster, 44.35
- Lily Gearing, White County, 46.04
- Noelle Boyd, Sandy Creek, 46.57
- Brooke Jordan, Burke County, 47.26

800 Meter Run

- Lyric Olson, Savannah Arts, 2:11.17
- Isis Symone Grant, Sandy Creek, 2:11.74
- Morgan Collins, GACS, 2:14.56
- Cate Stevens, Westminster, 2:19.08

200 Meter Dash

- Nia Wilson, GACS, 24.03
- Bobbi Olive, Sandy Creek, 24.80
- Adriunna Earl, Hart County, 24.92
- Campbell Brown, Mary Persons, 24.93

3200 Meter Run

- Margaret Wade, Savannah Arts, 10:56.50
- Palmer Walstad, Westminster, 11:01.27
- Clodagh O'Bryant, North Hall, 11:19.02
- Janie Cooper, Westminster, 11:40.87

4x400 Meter Relay

- Sandy Creek 3:59.81 (Isis Symone Grant, Noelle Boyd, Bobbi Olive, Empress Malone)
- Mary Persons 4:04.52 (Anyana Barkley, Anaja Lucear, Campbell Brown, Damarria Scandrett)
- Westminster 4:05.94 (Meredy Jackson, Cate Stevens, Lucy Johnson, Camille Quarterman)
- Dawson Co. 4:12.18 (Lauren Kurtz, Anna LeCave, Katie Gloeckner, Emily Kurtz)

HIGH POINT SCHOOLS

- | | |
|-----------------------------------|-----|
| 1. Westminster..... | 137 |
| 2. Sandy Creek..... | 71 |
| 3. Greater Atlanta Christian..... | 66 |
| 4. Hart County..... | 42 |

Class 2A – Girls

Discus Throw

- Caroline Hodges, Chattooga, 132-00
- Shelby Speed, Banks County, 128-03
- Meredith Campuzano, Gordon Cent., 125-11
- Gloria Ortiz, Oglethorpe County, 119-06

High Jump

- Kenzie Henderson, Oglethorpe Co., 5-04.00
- Jakia Little, Northeast Macon, 5-02.00
- Stella Henry, Dade County, J5-02.00
- Michaela Mobley, Toombs County, J5-02.00

Long Jump

- Niakoe Burkes, Callaway, 18-06.00
- Stella Henry, Dade County, 17-07.25
- Brooke Fung Chung, Pace Acad., 17-00.50
- Denim Goddard, Oglethorpe Co., 16-10.50

Pole Vault

- Noelle Hambrick, Bremen, 10-09.00
- Mallory Peavey, Fitzgerald, 9-06.00
- Ella Mason, Oglethorpe County, 9-00.00
- Raegan Page, Dade County, J9-00.00

Shot Put

- Yasmine Chambers, South Atlanta, 40-08.50
- Sinclair Fryer, Laney, 38-11.50
- Zy'Kieria Edwards, Oglethorpe Co., 36-05.00
- Maddie Denney, Heard County, 35-05.00

Triple Jump

- Stella Henry, Dade County, 37-10.50
- Catherine Forbes, Towers, 37-01.50
- Denim Goddard, Oglethorpe Co., 37-00.50
- Jacquelyn Patrick, NE Macon, 36-11.50

4x800 Meter Relay

- Pace Acad. 9:44.81 (Laura Arenth, Caroline Hood, Olivia Resnick, Jordan White)
- Oglethorpe Co. 9:47.96 (Emmaleigh Hemmingway, Ellie Cabaniss, Sydnie Henderson, Lizzie Wadsworth)
- Bleckley Co. 10:15.55 (Kayslen Armstrong, Johna Bowen, Tristen Crosby, Lauren Kitchens)
- Union County, 10:28.34 (Katelynn Rash, Natalie Payne, Lydia Wagner, Noel Hyatt)

100 Meter Hurdles

- Shakiera Woods, Kipp Atlanta, 14.82
- Kyleigh Johnson, Vidalia, 15.36
- Macada McDonald, Towers, 15.61
- De'Ana Albert, Lamar County, 15.82

100 Meter Dash

- Serenity Harry, Towers, 11.93
- Catherine Forbes, Towers, 12.00
- Kierra Montgomery, Temple, 12.44
- l'Mani Lowery, Glenn Hills, 12.52

4x200 Meter Relay

- Oglethorpe Co. 1:43.48# (Kenzie Henderson, Morgan Hall, Jayda Jones, Jacy Watson)
- Bremen 1:44.47 (Ava Coggins, Belle Akins, Ella Sweatt, Lacey Bush)
- Washington 1:44.65 (Ajahna Diah, Gabriela Barnes, Samya Hicks, Nadia Nottingham)
- Towers 1:45.30 (Macada McDonald, Serenity Harry, Tracy Yelegoiye, Nashari Edwards)

1600 Meter Run

- Caroline Hood, Pace Academy, 5:02.72
- Laura Arenth, Pace Academy, 5:10.47
- Kate Jonas, Pace Academy, 5:14.56
- Sarah Owen, Vidalia, 5:14.90

STATE TRACK MEETS - 2022

4x100 Meter Relay

1. Washington, 49.35 (Ajahna Diah, Gabriela Barnes, Samya Hicks, Nadia Nottingham)
2. Heard Co., 49.84 (Chasity Kates, Camille Gaskins, Brailey Watkins, Zekylah Boyd)
3. Oglethorpe Co. 50.03 (Jacy Watson, Denim Goddard, Morgan Hall, Jayda Jones)
4. Towers 50.04 (Tracy Yelegoyee, Serenity Harry, Macada McDonald, Nashari Edwards)

400 Meter Dash

1. Catherine Forbes, Towers, 57.34
2. Sydney Henderson, Oglethorpe Co., 57.83
3. JaKara Tobler, Jasper County, 58.42
4. Amanda Rhinehart, Bremen, 1:00.47

300 Meter Hurdles

1. Kenzie Henderson, Oglethorpe Co., 45.16
2. Shakiera Woods, Kipp Atlanta, 45.23
3. De'Ana Albert, Lamar County, 45.85
4. Macada McDonald, Towers, 46.02

800 Meter Run

1. Sydney Henderson, Oglethorpe Co., 2:16.56
2. Lizzie Wadsworth, Oglethorpe Co., 2:19.08
3. Sarah Owen, Vidalia, 2:19.36
4. Tristen Crosby, Bleckley County, 2:24.07

200 Meter Dash

1. Catherine Forbes, Towers, 24.65
2. Serenity Harry, Towers, 24.86
3. Kierra Montgomery, Temple, 25.36
4. Jada Madison-Houston, South Atlanta, 25.87

3200 Meter Run

1. Caroline Hood, Pace Academy, 11:02.30
2. Laura Arentz, Pace Academy, 11:24.88
3. Sophia Cook, Coosa, 11:36.92
4. Kate Jonas, Pace Academy, 11:50.57

4x400 Meter Relay

1. Oglethorpe Co. 4:04.04 (Kenzie Henderson, Sydney Henderson, Lizzie Wadsworth, Jayda Jones)
2. Pace Academy 4:07.77 (Brooke Fung Chung, Madison Williams, Raina Mosley, Olivia Resnick)
3. Vidalia 4:10.14 (Moriah Wardlaw, Kaitlyn Allen, Kyleigh Johnson, Sarah Owen)
4. Lovet, 4:13.60 (Sarah Turner, Riley Kemp, Vinay Neely, Malia Allmon)

HIGH POINT SCHOOLS

1. Oglethorpe County.....119.5
2. Pace Academy.....79
3. Towers.....75
3. Bremen.....38

Class 1A (Private) – Girls

Discus Throw

1. Imani Washington, Wesleyan, 134-08
2. Claire Harrison, First Presbyterian, 117-05
3. Kayla Lane, Hebron Christian, 117-00
4. Destinee Lanham, First Presbyterian, 109-10

High Jump

1. Maggie Byrd, Savannah Christian, 5-04.00
2. Georgia Piper, Hebron Christian, 5-02.00
3. Helen Kenney, Sav. Country Day, 5-00.00
4. Tiana Thompson, Galloway, 4-10.00
4. Halle Carden, North Cobb Christian, 4-10.00
4. Sade Ojanuga, Wesleyan, 4-10.00

Long Jump

1. Ellison Chadwick, Providence Chr, 18-08.00
2. Maddy Childress, Mt. Pisgah Chr, 17-10.00

3. Jady Singleton, Savannah Christian, 17-08.75
4. Audrey Vandagriff, Prince Avenue, 17-03.50

Pole Vault

1. Libby Jackson, Hebron Christian, 11-00.00
2. Aurora Parlotto, Walker, 10-00.00
3. Danielle Kelly, Wesleyan, 9-06.00
4. Olivia Clark, King's Ridge, J9-06.00

Shot Put

1. Imani Washington, Wesleyan, 45-11.50
2. Veronika Babbitt, Athens Acad., 38-11.00
3. Kelsey Long, Brookstone, 35-00.00
4. Claire Harrison, First Presbyterian, 34-09.00

Triple Jump

1. Maddy Childress, Mt. Pisgah, 38-01.00
2. Nea Sanders, Wesleyan, 37-09.75
3. Malia Melton, Hebron Christian, 37-06.00
4. Sade Ojanuga, Wesleyan, 37-01.00

4x800 Meter Relay

1. Landmark Christian 9:46.41 (Nina Story, Turner Guerard, Juliana Hilton, Shari Brown)
2. Wesleyan 9:53.68 (Sophie Villa, Julie Anne Bush, Abigail Glover, Anne McSweeney)
3. Athens Acad. 9:56.21 (Sarah Harrison, Nathalie Lavender, Molly Smith, Davis McLanahan)
4. Paideia 10:07.11 (Luna McCauley, McKinley Hales, Sisi Elkinson, Megan Walter)

100 Meter Hurdles

1. Sade Ojanuga, Wesleyan, 15.15
2. Nea Sanders, Wesleyan, 15.39
3. Abby Arnold, Athens Christian, 15.42
4. Macy Murdock, Tallulah Falls, 15.60

100 Meter Dash

1. Taylor Gullatte, Landmark Christian, 11.72
2. Audrey Vandagriff, Prince Avenue, 12.11
3. Quinn Wall, Heritage, Newnan, 12.24
4. Ellison Chadwick, Providence Christ., 12.27

4x200 Meter Relay

1. Landmark 1:42.19# (Hope Clerk, MiAngel Allrich, Cristiana Chachere, Malia Campbell)
2. ELCA 1:43.74 (Chelsea Reid, Autumn Harrell, Cerrigan Mayweather, Kara Anthony)
3. Hebron Christian 1:44.31 (Emma Flowers, Isabella Rodriguez, Jayden Watts, Lily Macrina)
4. Brookstone 1:45.70 (Lizzie Helton, Caroline Foster, Trinity Bledsoe, Anna Kate Helton)

1600 Meter Run

1. Cara Joyce, Atlanta International, 5:10.08
2. Shari Brown, Landmark Christian, 5:11.57
3. Luna McCauley, Paideia, 5:13.99
4. Elizabeth Shaylor, North Cobb Chr., 5:15.25

4x100 Meter Relay

1. Landmark 48.97 (Hope Clerk, Cristiana Chachere, MiAngel Allrich, Taylor Gullatte)
2. Hebron Chr. 49.10 (Emma Flowers, Isabella Rodriguez, Kennedy Truitt, Malia Melton)
3. Mt. de Sales 50.15 (Katelyn Perazzola, Jai Dudley, Graham Blackwell, Jordan Kelly)
4. Mt. Vernon 50.20 (Mia James, Kennedy Reynolds, Leah Collins, Savannah Holmes)

400 Meter Dash

1. Malia Campbell, Landmark Christian, 55.49#
2. Ellison Chadwick, Providence Christ., 57.10
3. Kara Anthony, ELCA, 57.66
4. Elizabeth Cowley, Brookstone, 58.02

300 Meter Hurdles

1. Kennedy Reynolds, Mt. Vernon, 45.80
2. Macy Murdock, Tallulah Falls, 46.22
3. Nina Story, Landmark Christian, 46.40
4. Nea Sanders, Wesleyan, 46.75

800 Meter Run

1. Cara Joyce, Atlanta International, 2:12.27
2. Shari Brown, Landmark Christian, 2:15.43
3. Luna McCauley, Paideia, 2:20.00
4. Anne McSweeney, Wesleyan, 2:20.32

200 Meter Dash

1. Taylor Gullatte, Landmark Christian, 24.48
2. Malia Campbell, Landmark Christian, 25.39
3. Quinn Wall, Heritage, Newnan, 25.71
4. Ellison Chadwick, Providence Christ., 25.75

3200 Meter Run

1. Brooke Browning, Hebron Christ., 11:25.73
2. Elizabeth Shaylor, North Cobb Chr, 11:37.63
3. Lillie Mealor, First Presbyterian, 11:46.35
4. Tatum McKinnis, Holy Innocents', 11:51.82

4x400 Meter Relay

1. Landmark Chr. 3:50.95 (Shari Brown, Malia Campbell, Nina Story, Taylor Gullatte)
2. Atlanta Inter., 4:04.45 (Pauline Mathiot, Cara Joyce, Naomi Hackett, Hanna Johnson)
3. Wesleyan, 4:06.73 (Ansel Voss, Nea Sanders, Sophie Villa, Sade Ojanuga)
4. Hebron Chr. 4:06.92 (Emma Flowers, Isabella Rodriguez, Georgia Piper, Ellie Brewer)

HIGH POINT SCHOOLS

1. Landmark Christian.....106
2. Wesleyan.....87
3. Hebron Christian.....80
4. Atlanta International.....32.5

Class 1A (Public) – Girls

Discus Throw

1. Madolynn Loyd, Gordon Lee, 120-00
2. Arilyn Lee, Gordon Lee, 119-11
3. Kaylin Wooten, Washington-Wilkes, 110-01
4. Kyra Dobler, GMC, 95-11

High Jump

1. Samantha Cramer, Gordon Lee, 5-02.00
2. Marley Bell, Montgomery County, J5-02.00
3. Rylee Maxwell, McIntosh Co. Acad., 5-00.00
4. Kylie Hunley, Gordon Lee, J5-00.00

Long Jump

1. Tadreuna Rogers, Terrell County, 17-10.50
2. Quintashya Burse, Manchester, 17-00.50
3. Trinity Lavant, Claxton, 17-00.00
4. Elajiah Smith, Claxton, 16-10.00

Pole Vault

1. Ansel Dendy, Gordon Lee, 10-00.00
2. Lauren Massey, Commerce, 9-06.00
3. Lauren Dendy, Gordon Lee, 8-00.00
4. Emily Wilder, Schley County, 7-06.00

Shot Put

1. Arilyn Lee, Gordon Lee, 39-09.00
2. Madolynn Loyd, Gordon Lee, 34-10.00
3. Ja'Khia Edenfield, Metter, 34-02.50
4. Jerrica Bryant, McIntosh Co Acad, 33-03.00

Triple Jump

1. Marley Bell, Montgomery County, 36-05.25
2. Elajiah Smith, Claxton, 35-04.00
3. Trinity Lavant, Claxton, 35-01.25
4. Marissa Green, Charlton County, 35-00.00

STATE TRACK MEETS - 2022

4x800 Meter Relay

1. Armuchee 10:15.67 (Shelby Green, Sophie Thacker, Desiree Espy, Marissa Kimple)
2. Commerce 10:37.72 (Paden Bell, Ermay Vazquez, Ivy Tolbert, Lauren Massey)
3. GMC 10:52.72 (Lily Ryan, Maria Knapp, Sophia Arias, Jada Warren)
4. Gordon Lee 11:09.29 (Madilyn Bailey, Cora Fehr, Haley Hartman, Kali Woodward)

100 Meter Hurdles

1. Destiny Barksdale, Lincoln County, 16.14
2. Tuashawn Williams, Drew Charter, 16.67
3. Rylee Maxwell, McIntosh Co. Acad., 17.13
4. Tamira Walker, Metter, 17.18

100 Meter Dash

1. Madeline Cooper, Drew Charter, 12.23
2. Chavondria Crimes, Stewart County, 12.45
3. Olivia Jackson, Screven County, 12.67
4. Quintashya Burse, Manchester, 12.68

4x200 Meter Relay

1. Dublin 1:46.07 (Takeria Smith, Azoria Lovett, Karmyn Jordan, Tahara Diallo)
2. Montgomery Co. 1:46.56 (MaKyla Bell, Zakhia Lawhorne, Ashmira Moye, Jabrayla Coglin)
3. Miller Co. 1:48.16 (Jayla Riggins, Tamia Perkins, Precious Collins, RhaMya Hughes)
4. Drew Charter 1:49.06 (Madeline Cooper, Sarah Phillips, Jayla Johnson, Layla Sheppard)

1600 Meter Run

1. Shelby Green, Armuchee, 5:11.60
2. Marissa Kimple, Armuchee, 5:15.52
3. Jada Warren, GMC, 5:35.33
4. Ermay Vazquez, Commerce, 5:41.05

4x100 Meter Relay

1. Drew Charter 49.53 (Lelahbrooke White, Jakayla Roberts, Kameron Cook, Madeline Cooper)
2. Montgomery Co. 50.67 (Zakhia Lawhorne, MaKyla Bell, Ashmira Moye, Jabrayla Coglin)
3. Manchester 51.05 (Karma Singleton, Omeriah Mitchell, Auriyanna Wright, Miyanna Wright)
4. Metter 51.64 (Jeniya Lawrence, Tye Starnes, Amiya Walker, Tamira Walker)

400 Meter Dash

1. Jada Hyman, Social Circle, 57.96
2. Kameron Cook, Drew Charter, 1:00.46
3. Azoria Lovett, Dublin, 1:00.54
4. MaKyla Bell, Montgomery County, 1:01.90

300 Meter Hurdles

1. Marley Bell, Montgomery County, 46.05
2. Destiny Barksdale, Lincoln County, 49.37
3. Elajiah Smith, Claxton, 49.80
4. Riley Spurlock, Lincoln County, 50.84

800 Meter Run

1. Shelby Green, Armuchee, 2:24.09
2. Jada Warren, GMC, 2:29.76

3. Ivy Tolbert, Commerce, 2:31.45
4. Sophie Thacker, Armuchee, 2:34.20

200 Meter Dash

1. Madeline Cooper, Drew Charter, 25.09
2. Jada Hyman, Social Circle, 25.36
3. Olivia Jackson, Screven County, 25.88
4. Zariyona Williams, Miller County, 26.29

3200 Meter Run

1. Marissa Kimple, Armuchee, 11:33.76
2. Ermay Vazquez, Commerce, 13:23.83
3. Geisha Smith, Seminole County, 13:36.16
4. Haley Hartman, Gordon Lee, 13:43.63

4x400 Meter Relay

1. Drew Charter 4:17.34 (Kameron Cook, Sidni Haynes, Jakayla Roberts, Jayla Johnson)
2. Montgomery Co. 4:20.87 (Ashmira Moye, Marley Bell, Jabrayla Coglin, Miracle Nobles)
3. Commerce 4:24.63 (Ivy Tolbert, Paden Bell, Lauren Massey, Ermay Vazquez)
4. Dublin 4:25.53 (Dasia Brown, Tahara Diallo, Azoria Lovett, Derricka Lewis)

HIGH POINT SCHOOLS

- | | |
|---------------------------|------|
| 1. Gordon Lee..... | 91.5 |
| 2. Montgomery County..... | 63 |
| 3. Drew Charter..... | 61 |
| 4. Armuchee..... | 55 |

- New State Record

WHEELCHAIR & AMBULATORY TRACK - 2022

2022 RESULTS

BOYS WHEELCHAIR

SHOT PUT (Class 1)

1. Jacob Williams, Harris County, 10-02.00

SHOT PUT (Class 2)

1. Max Richardson, Calhoun, 4-03.00

200 METER RACE

1. Hunter Martin, Portal, 50.53
2. Jacob Williams, Harris County, 54.84

800 METER RACE

1. Hunter Martin, Portal, 3:50.60

Team Totals

- | | |
|-----------------------|----|
| 1. Portal..... | 20 |
| 2. Harris County..... | 18 |

GIRLS AMBULATORY

100 METER DASH

1. Katherine Farr, Westminster, 23.82

200 METER DASH

1. Katherine Farr, Westminster, 59.04*

Team Totals

- | | |
|---------------------|----|
| 1. Westminster..... | 20 |
|---------------------|----|

* - New Record

RECORDS

BOYS WHEELCHAIR

SHOT PUT(Class 1).....

29-01.50
Robert Berry, Dacula, 2016

SHOT PUT(Class 2).....

20-00.00
Cade Maynor, Pepperell, 2021

200 METER RACE.....

30.96
Robert Berry, Dacula, 2016

800 METER RACE.....

2:01.07
Zach Bobowski, South Forsyth, 2004

GIRLS WHEELCHAIR

SHOT PUT(Class 1).....

19-08.5
Curran Brown, Johns Creek, 2013

SHOT PUT(Class 2).....

14-10.00
Audrey Seigler, Westside-Augusta, 2008

200 METER RACE.....

35.50
Christina Young, Cass, 2012

GIRLS 800 METER RACE.....

2:25.94
Christina Young, Kennesaw Mt., 2009

BOYS AMBULATORY

200 METER DASH.....

26.88
Adam Kiel, North Paulding, 2019

GIRLS AMBULATORY

DISCUS THROW.....

51-10.00
Cathryn Gray, Centennial, 2019

SHOT PUT.....

15-04.00
Cathryn Gray, Centennial, 2019

100 METER DASH.....

23.11
Cathryn Gray, Centennial, 2019

200 METER DASH.....

59.04
Katherine Farr, Westminster, 2022

STATE VOLLEYBALL TOURNAMENTS - 2021-22

7A

First Round

North Cobb 3, Camden County 0
 Alpharetta 3, Discovery 0
 Forsyth Cent. 3, Mtn. View 1
 Newnan 3, South Gwinnett 0
 Hillgrove 3, Tift County 0
 Roswell 3, Norcross 2
 North Forsyth 3, Mill Creek 1
 Brookwood 3, McEachern 0
 Parkview 3, Campbell 0
 Lambert 3, Collins Hill 1
 Etowah 3, Duluth 0
 Walton 3, Coquitt County 0
 East Coweta 3, Grayson 0
 North Gwinnett 3, Denmark 1
 Cherokee 3, Dunwoody 0
 Harrison 3, Lowndes 2

Round 2

Alpharetta 3, North Cobb 2
 Forsyth Central 3, Newnan 1
 Hillgrove 3, Roswell 1
 North Forsyth 3, Brookwood 1
 Lambert 3, Parkview 0
 Walton 3, Etowah 2
 North Gwinnett 3, East Coweta 1
 Cherokee 3, Harrison 0

Quarterfinals

Alpharetta 3, Forsyth Central 1
 North Forsyth 3, Hillgrove 1
 Walton 3, Lambert 0
 Cherokee 3, North Gwinnett 2

Semifinals

Alpharetta 3, North Forsyth 2
 Walton 3, Cherokee 0

Final

Walton 3, Alpharetta 1
 (25-17, 25-20, 24-26, 25-18)

6A

First Round

Valdosta 3, Grovetown 2
 Creekview 3, South Paulding 1
 Lassiter 3, Dacula 0
 Statesboro 3, Lovejoy 0
 Houston Co 3, Evans 0
 Sequoyah 3, Carrollton 0
 Kennesaw Mtn 3, Hab. Cent. 0
 Lakeside, Dkb 3, Glynn Acad 1
 Effingham Co 3, Westlake 2
 Pope 3, Lanier 0
 Chattahoochee 3, Dalton 1
 Lakeside-Evans 3, Northside-WR 0
 Richmond Hill 3, N. Atlanta 0
 Buford 3, Allatoona 0
 River Ridge 3, Rome 2
 Lee Co. 3, Heritage-Conyers 0

Round 2

Creekview 3, Valdosta 0
 Lassiter 3, Statesboro 0
 Sequoyah 3, Houston Co 0
 Kennesaw Mtn. 3, Lakeside-DeK. 0
 Pope 3, Effingham Co. 0
 Lakeside-Evans 3, Chattahoochee. 1
 Buford 3, Richmond Hill 0
 Lee Co. 3, River Ridge 0

Quarterfinals

Lassiter 3, Creekview 0
 Sequoyah 3, Kennesaw Mtn. 0
 Pope 3, Lakeside-Evans 1
 Buford 3, Lee Co. 1

Semifinals

Sequoyah 3, Lassiter 2
 Buford 3, Pope 2

Final

Buford 3, Sequoyah 1
 (25-18, 28-26, 25-27, 25-22)

5A

First Round

Jonesboro 3, Wayne Co 0
 St. Pius 3, Woodland-Bartow 0
 Jackson County 3, Villa Rica 0
 McIntosh 3, DUTCOTOWN 0
 Warner Robins 3, Tri-Cities 0
 Blessed Trinity 3, Decatur 0
 Loganville 3, Chapel Hill 0
 Harris Co. 3, Eagles Landing 0
 Northside-Col. 3, Locust Grove 1
 Midtown 3, Clarke Central 2
 Chamblee 3, Calhoun 0
 Woodward 3, Ware County 0
 Whitewater 3, Union Grove 0
 Greenbrier 3, North Springs 0
 Cartersville 3, Northview 0
 Veterans 3, Drew 0

Round 2

St. Pius 3, Jonesboro 0
 McIntosh 3, Jackson Co. 0
 Blessed Trin. 3, Warner Robins 0
 Harris Co. 3, Loganville 0
 Northside-Col. 3, Midtown 1
 Woodward 3, Chamblee 1
 Greenbrier 3, Whitewater 0
 Veterans 3, Cartersville 1

Quarterfinals

St. Pius 3, McIntosh 0
 Blessed Trinity 3, Harris Co. 0
 Woodward 3, Northside-Col. 1
 Greenbrier 3, Veterans 0

Semifinals

St. Pius 3, Blessed Trinity 1
 Greenbrier 3, Woodward 1

Final

St. Pius 3, Greenbrier 0
 (25-18, 25-12, 25-16)

4A

First Round

LaGrange 3, West Laurens 0
 Pickens 3, Hampton 0
 Flowery Branch 3, Druid Hills 0
 Columbus 3, Rutland 0
 Central-Carroll 3, New
 Hampstead 0
 NW Whitfield 3, Mt Zion-Jones. 0
 Chestatee 3, Arabia Mtn. 0
 Thomas Co. Cent. 3, Kendrick 2
 Perry 3, Jordan 1
 Marist 3, North Oconee 0
 Ridgeland 3, Luella 0
 Islands 3, Troup 0
 Shaw 3, Baldwin 0
 Jefferson 3, Stephenson 0
 Heritage-Catoosa 3, Riverdale 0
 Fayette County 3, Jenkins 0

Round 2

Pickens 4, LaGrange 1
 Flowery Branch 3, Columbus 1
 NW Whitfield 3, Central-Car. 0
 Chestatee 3, Thomas Co. Cent. 1
 Marist 3, Perry 0

Islands 3, Ridgeland 0
 Jefferson 3, Shaw 0

Fayette Co. 3, Heritage-Cat. 2

Quarterfinals

Flowery Branch 3, Pickens 0
 NW Whitfield 3, Chestatee 0
 Marist 3, Islands 0
 Fayette County 3, Jefferson 0

Semifinals

Flowery Br. 3, NW Whitfield 1
 Marist 3, Fayette County 0

Final

Marist 3, Flowery Branch 1
 (25-18, 23-25, 25-15, 25-22)

3A

First Round

Windsor Forest 3, Liberty Co. 2
 GACS 3, White County 0
 Hart County 3, Ringgold 0
 Jackson 3, Burke County 0
 SE Bulloch 3, Savannah 0
 Cherokee Bluff 3, Redan 0
 East Jackson 3, Sonorville 1
 Morgan Co. 3, Mary Persons 0
 Richmond Acad. 3, Peach Co. 0
 LaFayette 3, Stephens Co. 0
 Sandy Creek 3, Lumpkin Co. 1
 Savannah Arts 3, Tattall Co. 0
 Harlem 3, Pike County 1
 Oconee County 3, Adairsville 0
 Westminster 3, North Hall 2
 Appling Co. 3, Johnson-Sav. 0

Round 2

GACS 3, Windsor Forest 0
 Hart County 3, Jackson 0
 Cherokee Bluff 3, SE Bulloch 0
 Morgan Co. 3, East Jackson 0
 LaFayette 3, Richmond Acad. 0
 Sandy Creek 3, Savannah Arts 0
 Oconee County 3, Harlem 0
 Westminster 3, Appling Co. 0

Quarterfinals

GACS 3, Hart County 0
 Cherokee Bluff 3, Morgan Co. 1
 Sandy Creek 3, LaFayette 0
 Oconee Co. 3, Westminster 2

Semifinals

GACS 3, Cherokee Bluff 1
 Sandy Creek 3, Oconee Co. 0

Final

GACS 3, Sandy Creek 1
 (25-27, 25-23, 25-23, 25-14)

2A/A Public

First Round

Vidalia 3, Quitman Co. 0
 Lovett 3, Fannin Co. 0
 Lake Oconee Acad. 3, Model 1
 Davidson Arts 3, Central-Tal. 0
 Toombs Co. 3, Early Co. 1
 Gordon Lee 3, Atlanta Classical 0
 Armuchee 3, Banks Co. 0
 Lamar County 3, Josey 0
 ACE Charter 3, Tech. Career 0
 Bremen 3, Oglethorpe Co. 0
 Pace Acad. 3, Chattooga 0
 Woodville-Tompkins 3, Cook 0
 Johnson-Aug. 3, Chatt. County 0
 Union County 3, Pepperell 0
 Dade County 3, Elite Scholars 0

Thomasville 3, Dublin 0

Round 2

Lovett 3, Vidalia 0

Lake Oconee Ac. 3, Davidson Arts 0
 Gordon Lee 3, Toombs Co. 0
 Armuchee 3, Lamar Co. 0
 Bremen 3, ACE Charter 0
 Pace Acad. 3, Woodville-Tomp. 0
 Union Co. 3, Johnson-Aug. 0
 Dade Co. 3, Thomasville 0

Quarterfinals

Lovett 3, Lake Oconee Acad. 0
 Gordon Lee 3, Armuchee 0
 Pace Academy 3, Bremen 0
 Union County 3, Dade County 0

Semifinals

Gordon Lee 3, Lovett 0
 Pace Acad. 3, Union County 0

Final

Pace Academy 3, Gordon Lee 1
 (25-20, 25-16, 22-25, 25-21)

A Private

First Round

Calvary Day 3, Stratford Acad 0
 Hebron Chr. 3, Christian Her. 0
 Tallulah Falls 3, Fellowship Chr. 0
 ELCA 3, St. Anne-Pacelli 0
 St. Vincents 3, First Presbyterian 0
 Mt Paran 3, Galloway 0
 Prince Avenue 3, Mt Pisgah 0
 Brookstone 3, Paideia 0
 Trinity Chr. 3, Whitefield Acad. 0
 George Walton 3, Mt Bethel 0
 Holy Innocents' 3, Walker 1
 Savannah Chr. 3, Tattall Square 0
 Landmark 3, Heritage-Newnan 0
 Athens Acad. 3, St. Francis 0
 N. Cobb Chr. 3, Wesleyan 1
 Strong Rock 3, Sav. Cty. Day 2

Round 2

Hebron Chr. 3, Calvary Day 0
 ELCA 3, Tallulah Falls 0
 Mt Paran 3, St. Vincent's 0
 Brookstone 3, Prince Avenue 1
 George Walton 3, Trinity Chr. 0
 Holy Innocents' 3, Savannah Chr. 2
 Athens Acad. 3, Landmark Chr. 0
 N. Cobb Chr. 3, Strong Rock 0

Quarterfinals

ELCA 3, Hebron Christian 0
 Mt Paran Chr 3, Brookstone 2
 Holy Innocents' 3, Geo. Walton 0
 Athens Acad. 3, N. Cobb Chr. 0

Semifinals

Mt Paran 3, ELCA 1
 Athens Acad. 3, Holy Innocents' 0

Final

Mt Paran 3, Athens Academy 1
 (25-12, 25-19, 16-25, 25-18)

STATE WRESTLING TOURNAMENTS - 2022

Class A

106 Lbs.

1. Braydon Mitchell, Social Circle
2. Conner Doherty, Mt. Pisgah
3. Jason Jenkins, Trion
4. Jude Niemi, St. Anne-Pacelli

113 Lbs.

1. Kolby Dempsey, Armuchee
2. Allen Calderon, ELCA
3. Daegan Vaughn, Trion
4. Thomas Johnson, Charlton Co.

120 Lbs.

1. Jordan Dunlap, Irwin Co.
2. Connor Castillo, Social Circle
3. Seth Huskins, Trion
4. Nick Samples, Mt. Zion-Carroll

126 Lbs.

1. Lance Thacker, Social Circle
2. Brady Nardella, Mt. Pisgah
3. Crawford Lee, Trion
4. Joseph Daniel, Mt. Zion-Carroll

132 Lbs.

1. Robert Austin Westbrook, Walker
2. Marley Washington, Mt. Pisgah
3. Joseph Kindred, Strong Rock
4. Caden Prater, Social Circle

138 Lbs.

1. Art Martinez, Holy Innocents'
2. Jace Parent, St. Francis
3. Bryce James, Trion
4. Sean Crews, Social Circle

145 Lbs.

1. Tyler Nelson, Mt. Pisgah
2. Kacen Taylor, Social Circle
3. Cade Parent, St. Francis
4. Gus Hames, Trion

152 Lbs.

1. Alan Cordero, Darlington
2. Joey Bertrand, Mt. Pisgah
3. James Eldridge, Social Circle
4. Braelyn Cain, Crawford Co.

160 Lbs.

1. Toby Maddux, Trion
2. Will Hames, Social Circle
3. Grant Hamilton, Commerce
4. Antonio Benjamin, Dublin

170 Lbs.

1. Grady Tisdale, Tatnall Square
2. Brayden Phillips, Commerce
3. Josh Lange, Mt. Pisgah
4. Cohen Blaschke, Trion

182 Lbs.

1. James Gleeson, Holy Innocents'
2. Blaydn Bowman, Trion
3. Trent Debow, Wesleyan
4. Jaylen Lilley, Charlton Co.

195 Lbs.

1. Hoke Poe-Hogan, Commerce
2. Logan Eller, Trion
3. Rowen Vandergriff, Social Cir.
4. Gage Renfroe, Charlton Co.

220 Lbs.

1. Brantley Willbanks, Trion
2. Asad Akbar, Charlton Co.
3. Tucker Cleary, Social Circle
4. Joy Chane, Mt. Pisgah

285 Lbs.

1. Ethan Epps, Commerce
2. Cole Spence, Mt. Pisgah
3. Sincere Bell, St. Anne-Pacelli
4. Zach Sharp, Trion

Team Scores

- | | |
|------------------------|-------|
| 1. Trion | 225.0 |
| 2. Social Circle | 200.5 |
| 3. Mt. Pisgah | 151.0 |
| 4. Commerce | 114.0 |

Class 2A

106 Lbs.

1. Cael Kusky, Lovett
2. Landon Carlton, Chattooga
3. Blake Summers, Fannin Co.
4. Cooper Greyson, Bremen

113 Lbs.

1. Angel Cruz, Banks Co.
2. Alex Hyman, Lovett
3. Gavin Mastrangelo, Bremen
4. Thawbaan As-Siddiq, Columbia

120 Lbs.

1. Jacob Voyles, Banks Co.
2. Ben Schiffer, Pace Academy
3. Bryan Valladares, Oglethorpe Co.
4. Gavin Coleman, Jeff Davis

126 Lbs.

1. Braden Sauls, Bremen
2. Chayton Tuck, Oglethorpe Co.
3. Jarrrarious Goolsby, Northeast
4. Addison Cothorn, Bacon Co.

132 Lbs.

1. Parker Coy, Lovett
2. Kolton Edge, Pepperell
3. Braden Pines, Lamar Co.
4. Carson Collis, Fannin Co.

138 Lbs.

1. Shane Watson, Oglethorpe Co.
2. Taylor Collis, Fannin Co.
3. Javarius Worthen, Vidalia
4. Demonte Flowers, Northeast

145 Lbs.

1. Sam Howe, Pace Academy
2. Nicholas Moffett, Lovett
3. Riley Davis, Model
4. George Hernandez, Jeff Davis

152 Lbs.

1. Chris Mance, Lovett
2. Miles Watts, Rabun Co.
3. Kellon Walley, Banks Co.
4. Clay Frost, Oglethorpe Co.

160 Lbs.

1. Hunter Manning, Vidalia
2. Corbin Davenport, Fannin Co.
3. Brady Guild, Union Co.
4. Zac Smith, Dade Co.

170 Lbs.

1. Trysten Baker, East Laurens
2. Matthew Waddell, Pepperell
3. Ty Morris, Bremen
4. Sean Phillips, Union Co.

182 Lbs.

1. Landon Williams, Dade Co.
2. Jake Roberts, Pepperell
3. Alex Mathias, Pace Academy
4. Drew Moore, Fitzgerald

195 Lbs.

1. Cody Williams, Dade Co.
2. Tank Morris, Toombs Co.
3. Christian Bostic, Lamar Co.
4. Aiden Kaufmann, Lovett

220 Lbs.

1. Christian Bell, Lovett
2. Clay Hyatt, Haralson Co.
3. Devon Heroch, Chattooga
4. Jet Galberth, Rabun Co.

285 Lbs.

1. Austin Sorrelle, Dade Co.
2. William Stimmel, Lovett
3. Landynn Powers, Dodge Co.
4. John Carlos Guerrero, Gordon Co.

Team Scores

- | | |
|------------------------|-------|
| 1. Lovett | 176.0 |
| 2. Dade Co. | 120.0 |
| 3. Oglethorpe Co. | 112.0 |
| 4. Banks Co. | 94.0 |

Class 3A

106 Lbs.

1. Juan Rafael, Gilmer
2. Adonnis Sanchez, Coahulla Crk.
3. Davin Lightsey, White Co.
4. Noah Chastain, Sonoraville

113 Lbs.

1. TK Davis, Rockmart
2. Carson Farist, Gilmer
3. Mac Bowen, Oconee Co.
4. Harrison Krause, Hart Co.

120 Lbs.

1. Izaeah Beavers, Rockmart
2. Kenly Eavenson, Franklin Co.
3. Arturo Gonzalez, Gilmer
4. Jaxson Owens, Adairsville

126 Lbs.

1. Dawson Thompson, North Hall
2. Gunner Chambers, Rockmart
3. Miguel Jaimas, Hart Co.
4. Donovan Miller, Harlem

132 Lbs.

1. Isaac Linley, Adairsville
2. Logan Moore, Sonoraville
3. James Murray, Rockmart
4. Hayden Biggs, Cherokee Bluff

138 Lbs.

1. Connor Free, North Hall
2. Howard Bailey, Adairsville
3. Bleu Winters, Rockmart
4. Jacob Baughcum, Franklin Co.

145 Lbs.

1. Gage Lee, Pike Co.
2. Nathan Bowen, Oconee Co.
3. Wilder Davis, Franklin
4. Jaxon Delgado, Ringgold

152 Lbs.

1. Nahzir Turner, Rockmart
2. Miguel Jacinto, Gilmer
3. Pyren Queen, Oconee Co.
4. Cooper Jones, Pike Co.

160 Lbs.

1. Anthony Mannella, M. Persons
2. Diego Jacinto, Gilmer
3. Zane Fairbanks, Oconee Co.
4. Tyler Crow, East Jackson

170 Lbs.

1. Colt Weaver, Sonoraville
2. Zeke Harris, North Hall
3. Eric Thompson, Oconee Co.
4. Caleb Turner, Morgan Co.

182 Lbs.

1. Hunter Adams, North Hall
2. Gavin Harper, Sonoraville
3. Ethan Pollock, Crisp Co.
4. Jakilen King, Pike County

195 Lbs.

1. Jebb Knight, Sonoraville
2. Nathan Walker, Stephens Co.
3. Owen Moss, Gilmer
4. Jamond Jones, Peach Co.

220 Lbs.

1. Dylan Galloway, Gilmer
2. Draven Peppers, Sonoraville
3. JaKamron Ammons, Rockmart
4. Ivan Arroyo, Burke Co.

285 Lbs.

1. Jaxx Knight, Sonoraville
2. Micah Reid, Morgan Co.
3. Tony Olea, Gilmer
4. Tyler Willhite, Monroe Area

Team Scores

- | | |
|----------------------|-------|
| 1. Gilmer | 190.0 |
| 2. Rockmart | 184.5 |
| 3. Sonoraville | 164.5 |
| 4. Oconee Co. | 99.5 |

Class 4A

106 Lbs.

1. Olli Webb, Southeast Whitfield
2. Colson Hoffman, Central-Carroll
3. Mason Persons, Columbus
4. Elijah Ward, Troup Co.

113 Lbs.

1. Tyler Nguyen, Columbus
2. Aaron Davis, North Oconee
3. Tucker Kazienko, Jefferson
4. Chris Pruitt, Chestatee

120 Lbs.

1. Adam Payton, Cedartown
2. Chaz McDonald, Jefferson
3. Jonathan McDaniell, Columbus
4. Cole Cano, North Oconee

STATE WRESTLING TOURNAMENTS - 2022

126 Lbs.

1. Davis Dollar, Jefferson
2. Aiden Ingram, West Laurens
3. Fernando Cordova, Cedartown
4. Dylan Gonzalez, Pickens

132 Lbs.

1. Austin Thiel, Perry
2. Thomas Termini, Marist
3. Dom Lasher, North Oconee
4. D'Angelo Pruitt, Chestatee

138 Lbs.

1. Beau Branand, North Oconee
2. Tyree Dashiell, Shaw
3. JT Bowers, West Laurens
4. Kullum Irvin, Troup Co.

145 Lbs.

1. Davis Dendy, Jefferson
2. Sam Lesh, Columbus
3. Noah Atkinson, Perry
4. Demetrios Pappas, Marist

152 Lbs.

1. Creed Thomas, Jefferson
2. Drake Wood, West Laurens
3. Jesus Navarro, Cedartown
4. Matthew Bond, Madison Co.

160 Lbs.

1. Seth Larson, Flowery Branch
2. Evan Wingrove, Heritage-Cat.
3. Jake Shepard, West Laurens
4. Malik Conley, Arabia Mtn.

170 Lbs.

1. Tyler Secoy, Columbus
2. Christian Boston, West Laurens
3. Cooper Bachman, Islands
4. Justin Gilbert, East Hall

182 Lbs.

1. Nolan Pozzobon, Marist
2. Caden Snell, West Laurens
3. Shayne Strickland, Benedictine
4. DeAndre Heard, Hardaway

195 Lbs.

1. Luke Cochran, Jefferson
2. Evan Guyton, West Laurens
3. Cal Rockenbach, Flowery Brch.
4. Jayden Santiago, NW Whitfield

220 Lbs.

1. Sammy Brown, Jefferson
2. Ashton Hefner, North Oconee
3. Jathon Willis, West Laurens
4. Kaleb Nicholson, Pickens

285 Lbs.

1. Chase Horne, West Laurens
2. Caleb Pruitt, East Hall
3. Tevin Person, Mt. Zion-Jones.
4. Tyranny McGowan, Columbus

Team Scores

- | | |
|-----------------------|-------|
| 1. West Laurens | 189.5 |
| 2. Jefferson | 163.0 |
| 3. Columbus | 112.0 |
| 4. North Oconee | 104.5 |

Class 5A

106 Lbs.

1. Mason Moody, Locust Grove
2. Lee Camp, Cass
3. Kawanzi Baker, Coffee
4. Dylan Jurovski, Jackson Co.

113 Lbs.

1. Colby McBride, Woodward
2. AJ Piatt, Cass
3. Tristan Malette, Locust Grove
4. Jose Pacheco, Jackson Co.

120 Lbs.

1. Cole Hunt, Cass
2. Glen Decker, Harris Co.
3. Cooper Hoffman, Jackson Co.
4. Zachary Coumbs, Veterans

126 Lbs.

1. Jake Crapps, Cass
2. Conner Kimbrough, Ola
3. Carson Bailey, Woodland-Bar.
4. Sebastian Melendez, Greenbrier

132 Lbs.

1. Reese Jones, Ola
2. William Bishop, Woodland-Bar.
3. Bryce Boland, Jones County
4. Tyler Barb, Veterans

138 Lbs.

1. Samuel Harris, Ola
2. Randy Buchanan, Woodland-Bar.
3. Bryce Kresho, Cass
4. Giles Turner, Cartersville

145 Lbs.

1. Latrell Schafer, Veterans
2. Tyler McKnight, Cass
3. Garrett Wood, Harris County
4. Brian Papcun, Ola

152 Lbs.

1. Caleb Henson, Woodland-Bar.
2. Tanner Vorse, Veterans
3. Cooper Allen, Clarke Central
4. Michael Kernan, Blessed Trin.

160 Lbs.

1. Colby Cochran, Woodland-Bar.
2. Michael Kilic, Woodward
3. Jacob Helms, Walnut Grove
4. Kriecg Roe, Cass

170 Lbs.

1. Gunner Filipowicz, Woodward
2. Zach McKnight, Cass
3. Spencer Fields, Whitewater
4. Caleb Fordham, Ola

182 Lbs.

1. Matthew Singleton, Woodward
2. Parker Warren, Walnut Grove
3. Zion Smith, Ola
4. Parker Dunn, Cass

195 Lbs.

1. Landen Moss, Walnut Grove
2. Jason Eligwe, Loganville
3. Charles Higdon, Woodland-Bar.
4. Brayden Fordham, Ola

220 Lbs.

1. Gavin Proffitt, McIntosh
2. Kwadrus Wilson, Woodland-Bar.
3. Brandon High, Coffee
4. Isaiah Scott, Southwest DeKalb

285 Lbs.

1. Shadre Hurst, Cartersville
2. Jaylin Tate, Woodward
3. Jahlil McKenney, Eagle's Land.
4. Dane Rish, Coffee

Team Scores

- | | |
|--------------------------|-------|
| 1. Cass | 171.0 |
| 2. Woodland-Bar. | 160.5 |
| 3. Ola | 152.0 |
| 4. Woodward Academy | 146.0 |

Class 6A

106 Lbs.

1. Rylan Ibold, Buford
2. Mal Santiago, Effingham Co.
3. Jacob Stellhorn, S. Effingham
4. Clayton Hicks, Brunswick

113 Lbs.

1. Jacob Galindez, S. Effingham
2. Hunter Keane, Cambridge
3. Kieron McCormack, Buford
4. Aidan Bee, Glynn Academy

120 Lbs.

1. Maddox McArthur, Buford
2. Durben Carpenter, Chattahoochee
3. Riley Brewer, Lee Co.
4. Conner Nevin, Effingham Co.

126 Lbs.

1. Drew Gorman, Buford
2. Andrew Voiles, Alexander
3. Josh Sanders, Sprayberry
4. Anton Blanchard, S. Effingham

132 Lbs.

1. Darrell Rochester, Valdosta
2. Jacob Seymour, S. Paulding
3. Aidan Karpinski, Pope
4. Tyler Henley, Buford

138 Lbs.

1. David Panone, Lassiter
2. Drake McMinn, Lee County
3. Gavin Pope, Buford
4. Derek Counsel, Lakeside-Evans

145 Lbs.

1. Cullen Kane, Cambridge
2. Tyler Lamon, Valdosta
3. Willie Thang Sui Lian, Creekview
4. JT McCullough, Buford

152 Lbs.

1. Andrew Cory, Creekview
2. Ryan Seymour, South Paulding
3. Talen Thompson, Buford
4. Justin Gregory, Lee Co.

160 Lbs.

1. Joey Robinson, Pope
2. Cade Sousa, Creekview
3. Sebastian Shered, Cambridge
4. Charlie Throne, Sequoyah

170 Lbs.

1. Zyan Hall, Wheeler
2. Conor McCloskey, Buford
3. Aiden Chilson, Lee Co.
4. Ryan Throne, Sequoyah

182 Lbs.

1. Jackson Wakeland, Glynn Acad.
2. Leon Charlton, Brunswick
3. Aaron Riner, Buford
4. Brock Hacker, Johns Creek

195 Lbs.

1. Josh McCutchen, Valdosta
2. Colby Watson, Habersham Cn.
3. Nigel Wright, Effingham Co.
4. Ty Hubert, Creekview

220 Lbs.

1. Logan Webster, Sequoyah
2. Jacob Levy, Carrollton
3. Anthony Lowe, Brunswick
4. Stryker Woods, Dalton

285 Lbs.

1. Madden Sanker, S. Paulding
2. Riley Souther, Dalton
3. Cherikh Koita, Pope
4. Aaron Inman, Valdosta

Team Scores

- | | |
|--------------------|-------|
| 1. Buford | 201.5 |
| 2. Valdosta | 106.5 |
| 3. Creekview | 94.5 |
| 4. Brunswick | 89.5 |

Class 7A

106 Lbs.

1. Kenneth Jett, Brookwood
2. Micheal Medrala, Collins Hill
3. Bradley Patterson, Camden Co.
4. Landon Robinson, Woodstock

113 Lbs.

1. Reed Walker, West Forsyth
2. Hunter McCullough, Lowndes
3. Alex Reid, Alpharetta
4. Daniel McEntyre, Etowah

120 Lbs.

1. Riley Dahlgren, Camden Co.
2. Ethan McCullough, Lowndes
3. Noah Amick, West Forsyth
4. Kade Brown, North Paulding

126 Lbs.

1. Noah Danforth, West Forsyth
2. Ethan Sellers, Colquitt Co.
3. Collin Mullins, North Paulding
4. Tyson Wilson, Peachtree Ridge

132 Lbs.

1. Logan Paradise, Colquitt Co.
2. Jacob Silka, Cherokee
3. Anthony Santos, Camden Co.
4. Christian Gordon, East Coweta

138 Lbs.

1. Nathaniel Taylor, Colquitt Co.
2. Porter Bryant, Camden Co.
3. Emil Necula, Walton
4. Tyler Gallegos, Harrison

STATE WRESTLING TOURNAMENTS - 2022

145 Lbs.

1. Konlin Weaver, Camden Co.
2. Connor Powell, Hillgrove
3. Bentley Wheeler, North Forsyth
4. Dylan Lobdell, Lambert

152 Lbs.

1. Dominic Babinelli, Mill Creek
2. Elijah Griffin, Camden Co.
3. Braulio Cavazos, Gainesville
4. Jon Peralta, Marietta

160 Lbs.

1. Jeremy Paradise, Colquitt Co.
2. Christian Cartier, Roswell
3. Florin Myndresku, Archer
4. Micah Green, North Paulding

170 Lbs.

1. CahMari Johnson, Camden Co.
2. Landon Jones, Harrison
3. Kiernan Sherwood, N. Gwinnett
4. Kam'ron Shannon-Likely, Archer

182 Lbs.

1. Armond Jones, Mountain View
2. Tristan Graham, North Forsyth
3. Connor Cooper, Hillgrove
4. Dominic Martinez, Archer

195 Lbs.

1. Dylan Lyerly, North Forsyth
2. Richard Ransom, Collins Hill
3. Cole Williams, South Forsyth
4. Ryan Ackovic, Peachtree Ridge

220 Lbs.

1. Zion Rutledge, Hillgrove
2. Deonte Dozier, Camden Co.
3. Jay Helstone, West Forsyth
4. Grant Laskey, Lowndes

285 Lbs.

1. Thomas Dossett, Lambert
2. Anthony Yancey, Camden Co.
3. Damion Clark, South Gwinnett
4. Luke Sacchetti, Forsyth Central

Team Scores

- | | |
|------------------------|-------|
| 1. Camden Co. | 200.0 |
| 2. Colquitt Co. | 122.0 |
| 3. West Forsyth | 84.5 |
| 4. North Forsyth | 83.0 |

Girls Open Division

102 Lbs.

1. Catarina Velasquez, Chestatee
2. Dej-Ann Angus, Hampton

3. Aneri Patel, Woodward
4. Elora Waterman, Cartersville

112 Lbs.

1. Lisa Glymph, Marietta
2. Betty Cherry, East Coweta
3. Aria Randall, Columbus
4. Ollie Weiland, White Co.

122 Lbs.

1. Meta Xayabouth-Jones, Alexander
2. Mariana Perez, Denmark
3. Jasmine Jenkins-Bey, Columbus
4. Anastasia Georges, McEachern

132 Lbs.

1. May Prado, Lassiter
2. Briana Botts, Creekview
3. Brooke Ligon, Alexander
4. Perla Hernandez, Ware Co.

142 Lbs.

1. Genevieve An, Kennesaw Mtn.
2. Kendra Heroch, Chattooga
3. Raven Cook, Jackson Co.
4. Te'arah Lett, Monroe Area

152 Lbs.

1. Heidi Raines, Dade Co.
2. Sidney Sullens, White Co.

3. Chezney Brady, Paulding Co.
4. Arieana Bacon, Greenbrier

162 Lbs.

1. Caitlyn Mixon, Ware Co.
2. Jayde Massa, Greenbrier
3. Ashley Godinez, Chestatee
4. Litzzy Soto, Johnson-Gaines.

172 Lbs.

1. Beyoncé McColumn, N'side-WR
2. Kha'Nija Avery, Chattooga
3. Taylor Scheisser, Gilmer
4. Alejandrina Griggs, Carrollton

197 Lbs.

1. Lilly Chavis, Jackson Co.
2. Mia Bernacki, Effingham Co.
3. Stephanie Gonzalez Galvan, Norcross
4. Amariah Marengo, Carrollton

225 Lbs.

1. Isabella Redlinger, Chestatee
2. Montrease Tucker, Hardaway
3. Madison Baxter, Pepperell
4. Antonia Martinez, Johnson-Gainesville

TEAM DUAL WRESTLING - 2022

- | | | |
|-------------------------------|-----------|-----------------------|
| 1. Camden County 56 | <u>7A</u> | 3. West Forsyth 42 |
| 2. North Forsyth 18 | | 4. Mill Creek 40 |
| 1. Buford 48 | <u>6A</u> | 3. Brunswick 33 |
| 2. Valdosta 23 | | 4. Creekview 32 |
| 1. Cass 36 | <u>5A</u> | 3. Ola 45 |
| 2. Woodward 34 | | 4. Woodland-Bartow 30 |
| 1. West Laurens 37 (criteria) | <u>4A</u> | 3. Columbus 38 |
| 2. Jefferson 36 | | 4. Marist 36 |

- | | | |
|-------------------------|-----------|---------------------|
| 1. Rockmart 31 | <u>3A</u> | 3. Sonoraville 48 |
| 2. Gilmer 30 | | 4. Adairsville 27 |
| 1. Lovett 50 | <u>2A</u> | 3. Dade County 39 |
| 2. Oglethorpe County 18 | | 4. Fannin County 33 |
| 1. Trion 43 | <u>A</u> | 3. Commerce 45 |
| 2. Social Circle 27 | | 4. Mt. Pisgah 35 |

STATE AIR RIFLERY - 2022

INDIVIDUAL SCORES

- | | |
|---------------------------------------|-------|
| 1. Jacob Day, Northside-Columbus..... | 393.0 |
| 2. Elysa Walter, North Gwinnett..... | 392.2 |
| 3. Cole Howard, Ware County..... | 391.5 |
| 4. Liv Lusky, Lumpkin County..... | 390.3 |

TEAM SCORES

- | | |
|-----------------------|------|
| 1. Ware County..... | 1157 |
| Cole Howard..... | 293 |
| Austin Griffis..... | 290 |
| Gary Holmes..... | 288 |
| Claire Ponciano..... | 286 |
| 2. Camden County..... | 1150 |
| Danjela Dejesus..... | 294 |
| Abigail Swain..... | 290 |
| Cole Gott-Lay..... | 288 |
| Desirae Walton..... | 278 |

- | | |
|----------------------|------|
| 3. East Coweta..... | 1149 |
| Wyatt Hicks..... | 292 |
| Teddy Serrano..... | 286 |
| Destiny Nazario..... | 286 |
| Dalayla Gile..... | 285 |

- | | |
|----------------------|------|
| 4. Upson-Lee..... | 1148 |
| Kaylin Rogers..... | 291 |
| Bailey Lifsey..... | 289 |
| William Lane..... | 288 |
| Kinsley Riggins..... | 280 |

STATE SWIMMING RECORDS

BOYS

<u>EVENT</u>	<u>NAME/YEAR</u>	<u>SCHOOL/RECORD</u>
200 Yard Medley Relay.....	Aidan Saunders, Justin Bender, Sebastien Sergile, Caleb Paek..... 2022	Centennial *1:31.71
200 Yard Freestyle.....	Sebastien Sergile..... 2022	Centennial *1:34.05
200 Yard Individual Medley.....	Henry Bethel..... 2021	Dalton 1:45.54
50 Yard Freestyle.....	Paul Powers..... 2014	North Hall 19.63
100 Yard Butterfly.....	Gunnar Bentz..... 2014	St. Pius 47.26
100 Yard Freestyle.....	Paul Powers..... 2014	North Hall 43.19
500 Yard Freestyle.....	Jake Magahey..... 2019	Mill Creek 4:15.63
100 Yard Backstroke.....	Michael Taylor..... 2017	Johns Creek 45.53
100 Yard Breaststroke.....	Henry Bethel..... 2021	Dalton 52.96
200 Yard Freestyle Relay.....	Brett Sasser, Griffin Egolf, Owen Holland, Jack Aikins..... 2021	West Forsyth 1:22.56
400 Yard Freestyle Relay.....	Brett Sasser, Griffin Egolf, Owen Holland, Jack Aikins..... 2021	West Forsyth 3:03.13
One Meter Diving.....	Carson Tyler..... 2021	Colquitt County 878.95

GIRLS

<u>EVENT</u>	<u>NAME/YEAR</u>	<u>SCHOOL/RECORD</u>
200 Yard Medley Relay.....	Sadie Clayton, Katie Christopherson, Gigi Johnson, Annie Jardina..... 2021	Westminster 1:40.65
200 Yard Freestyle.....	Nicole Stafford..... 2013	Westminster 1:45.29
200 Yard Individual Medley.....	Katie Christopherson..... 2022	Westminster *1:56.72
50 Yard Freestyle.....	Caitlin Cooper..... 2014	Woodward 22.69
100 Yard Butterfly.....	Kathleen Hersey..... 2008	Marist 52.44
100 Yard Freestyle.....	Amanda Weir..... 2004	Brookwood 49.06
500 Yard Freestyle.....	Elizabeth Hill..... 2004	Westminster 4:40.93
100 Yard Backstroke.....	Erin Reisinger..... 2009	Walton 53.71
100 Yard Breaststroke.....	Alicia Henry..... 2020	Alpharetta 1:00.56
200 Yard Freestyle Relay.....	Gigi Johnson, Janine Horst, Katie Christopherson, Annie Jardina..... 2022	Westminster *1:32.56
400 Yard Freestyle Relay.....	Gigi Johnson, Sara Ketron, Annie Jardina, Katie Christopherson..... 2022	Westminster *3:24.20
One Meter Diving.....	Julia Herring..... 2022	St. Pius *664.10

* New State Record

STATE TRACK RECORDS

CLASS 7A - BOYS

<u>EVENT</u>	<u>NAME/YEAR</u>	<u>SCHOOL/RECORD</u>
100 Meter Dash.....	Jalen Virgil, Javanaugh Moore..... 2016, 2018	Mountain View, Wheeler 10.40
200 Meter Dash	Tyreek Hill	Coffee 20.94
400 Meter Dash.....	Will Sumner..... 2022	Woodstock *45.78
110 Meter High Hurdles	Terrance Trammell	Southwest DeKalb 13.34
300 Meter Intermediate Hurdles	William Wynne	McEachern 35.676
800 Meter Run	Marcelo Dunning	Campbell 1:51.75
1600 Meter Run	Ben Hubers	McEachern 4:07.500
3200 Meter Run.....	Sully Shelton..... 2021	Harrison 8:50.85
400 Meter Relay	(Angelo Taylor, Aurbin Richard, Clint Crenshaw, Terrance Trammell)	Southwest DeKalb 40.66
800 Meter Relay.....	(Mekhi Stone, Aveion Hayes, Dorian Gibson, Justin Walker).....	Campbell *1:25.28
1600 Meter Relay	(Rodney Hooks, Kelly Carter, Hason Graham, Eddie Miller)	Southwest DeKalb 3:13.21
3200 Meter Relay.....	(Tavian Anderson, Ethan Ashley, Hayden Hare, Karthik Kochuparambil).....	Denmark 7:44.21
High Jump	Dothel Edwards	Cedar Shoals 7'3.5"
Long Jump	Demar Forbes	ML King 24'6.5"
Triple Jump.....	Nate Cooper	Clarke Central 51'7.5"
Pole Vault.....	Brian Hauch.....	Parkview 16'6.5"
Shot Put (12 lbs)	Isaiah Rogers	Campbell 67'10"
Discus (H.S.)	Antonio Lamar	Brookwood 197'4"

CLASS 7A - GIRLS

<u>EVENT</u>	<u>NAME/YEAR</u>	<u>SCHOOL/RECORD</u>
100 Meter Dash.....	Kaniya Johnson..... 2022	Lowndes *11.26
200 Meter Dash.....	Candace Hill.....	Rockdale County 23.05
400 Meter Dash.....	Kennedy Simon.....	Westlake 52.52
100 Meter Intermediate Hurdles.....	Tia Jones.....	Walton 13.20
300 Meter Low Hurdles	Kendell Williams	Kell 41.30
800 Meter Run.....	Riley Perlakowski.....	Harrison 2:08.11
1600 Meter Run	Amanda Winslow	Collins Hill 4:44.97
3200 Meter Run	Lindsey Billings.....	Northview 10:21.74
400 Meter Relay	(Felicia Brown, Tiffany Camper, Jada Martin, Alexis Smith)	M.L. King 45.69
800 Meter Relay.....	(Ryan Davis, Ayva Dottin, Morgan Gordon, Christina Joseph).....	Hillgrove *1:39.22
1600 Meter Relay.....	(Trinity Hunter, Kaniya Johnson, My'Asia Howard, Kaylan McConnehead).....	Lowndes *3:43.29
3200 Meter Relay.....	(Riley Curtis, Kate Curtis, Lidia Longo, Samantha McGarity).....	Harrison *9:19.30
High Jump	Nakeitra Jones	Northeast 5'10.5"
Long Jump	Tameisha King	Pebblebrook 19'10.75"
Triple Jump.....	Julienne McKee	Lassiter 41'7.75"
Pole Vault.....	Katelyn Utley, Riley Jones, Nicole Counter.....	Tift Co., South Forsyth, Denmark *12'6"
Shot Put (8 lbs. 13 ozs.).....	Janae Profit.....	Dunwoody 47'11.0"
Discus (2 lbs. 3-1/2 ozs.)	Ronda Gullate	Sprayberry 154'8"

NOTE: All State Track Records Converted to Metrics - 1985

* New State Record

STATE TRACK RECORDS

CLASS 6A - BOYS		
<u>EVENT</u>	<u>NAME/YEAR</u>	<u>SCHOOL/RECORD</u>
100 Meter Dash.....	Eric Young 2022	Allanoona *10.39
200 Meter Dash.....	Rashun Fountain 2022	Heritage-Conyers *20.85
400 Meter Dash.....	Sidi Njie 2022	Westlake *46.41
110 Meter High Hurdles	Terrance Trammell 1996	Southwest DeKalb 13.34
300 Meter Intermediate Hurdles	William Wynne 2007	McEachern 35.676
800 Meter Run	Marcelo Dunning 2000	Campbell 1:51.75
1600 Meter Run	Ben Hubers 2007	McEachern 4:07.50
3200 Meter Run	Tyler Anyan 2010	Brookwood 8:52.835
400 Meter Relay	(Angelo Taylor, Aurbin Richard, Clint Crenshaw, Terrance Trammell) 1996	Southwest DeKalb 40.66
800 Meter Relay.....	(Dontavious Barker, Kayvion Copeland, Jaylen Marsh, Amare Hall) 2022	Carrollton *1:26.08
1600 Meter Relay	(Rodney Hooks, Kelly Carter, Hason Graham, Eddie Miller) 1987	Southwest DeKalb 3:13.21
3200 Meter Relay.....	(Amir Dayal, Marcus Guidry, Jonathan Rachal, Cameron Yates) 2021	Alexander 7:58.36
High Jump	Dothel Edwards 1983	Cedar Shoals 7'3.5"
Long Jump.....	Amare Hall 2022	Carrollton *24'9.25"
Triple Jump.....	Nate Cooper 1975	Clarke Central 51'7.5"
Pole Vault.....	Grant Briscoe 2021	Carrollton 16'2"
Shot Put (12 lbs)	Isaiah Rogers 2016	Campbell 67'10"
Discus (H.S.)	Antonio Lamar 2004	Brookwood 197'4"

CLASS 6A - GIRLS		
<u>EVENT</u>	<u>NAME/YEAR</u>	<u>SCHOOL/RECORD</u>
Long Jump.....	Adaejah Hodge 2022	Alexander *11.33
200 Meter Dash.....	Candace Hill 2015	Rockdale County 23.05
400 Meter Dash	Makenzie Dunmore 2016	McEachern 53.01
100 Meter Intermediate Hurdles.....	Tia Jones 2016	Walton 13.20
300 Meter Low Hurdles	Kendell Williams 2010	Kell 41.30
800 Meter Run	Brittany Hall 2006	Meadowcreek 2:08.58
1600 Meter Run	Amanda Winslow 2009	Collins Hill 4:44.97
3200 Meter Run	Lindsey Billings 2016	Northview 10:21.74
400 Meter Relay	(Felicia Brown, Tiffany Camper, Jada Martin, Alexis Smith) 2012	M.L. King 45.69
800 Meter Relay.....	(Camille Crowder, Makenzie Edwards, Victoria Teasley, Shia Tobias-Wolffe) 2022	Alexander *1:39.34
1600 Meter Relay.....	(Makenzie Dunmore, Cierra Dunston, Shania Evans, Kristin Hall) 2014	McEachern 3:44.59
3200 Meter Relay.....	(Sophie Boice, Rachel Dodsworth, Lorei Golden, Charlotte Dunn) 2021	Pope 9:28.16
High Jump	Nakeitra Jones 1997	Northeast 5'10.5"
Long Jump.....	Adaejah Hodge 2022	Alexander *20'4.25"
Triple Jump.....	Julienne McKee 2002	Lassiter 41'7.75"
Pole Vault.....	Payton Phillips 2021	Carrollton 13'5.5"
Shot Put (8 lbs. 13 ozs.)	Ashley Johnson 2011	Westlake 47'3.5"
Discus (2 lbs. 3-1/2 ozs.)	Ronda Gullate 2002	Sprayberry 154'8"

NOTE: All State Track Records Converted to Metrics - 1985

* New State Record

STATE TRACK RECORDS

CLASS 5A - BOYS		
<u>EVENT</u>	<u>NAME/YEAR</u>	<u>SCHOOL/RECORD</u>
100 Meter Dash.....	Ryan Clark 2015	Banneker 10.26
200 Meter Dash.....	Ryan Clark 2015	Banneker 20.79
400 Meter Dash.....	Trey Johnson 2018	Fayette County 46.37
110 Meter High Hurdles	Terrance Trammell 1996	Southwest DeKalb 13.34
300 Meter Intermediate Hurdles	William Wynne 2007	McEachern 35.676
800 Meter Run	Marcelo Dunning 2000	Campbell 1:51.75
1600 Meter Run	Ben Hubers 2007	McEachern 4:07.50
3200 Meter Run	Tyler Anyan 2010	Brookwood 8:52.835
400 Meter Relay.....(Angelo Taylor, Aurbir Richard, Clint Crenshaw, Terrance Trammell).....		Southwest DeKalb 40.66
800 Meter Relay.....(Kenneth Robbins, Xzaviah Taylor, Xavier Turner, Ali Dargan).....		Southwest DeKalb *1:25.19
1600 Meter Relay	(Jordan Billingslea, Ryan Clark, Bobby Johnson, Kden Johnson) 2015	Banneker 3:12.03
3200 Meter Relay.....(Zack Burke, Loden Kohrman, Isaac Soricelli, Clark Bilderback).....		Blessed Trinity *7:53.54
High Jump	Dothel Edwards 1983	Cedar Shoals 7'3.5"
Long Jump.....	Jaylan Harris 2022	Calhoun *24'7"
Triple Jump.....	Nate Cooper 1975	Clarke Central 51'7.5"
Pole Vault.....	Tray Oates 2013	Allatoona 16'1"
Shot Put (12 lbs)	Chip Kell 1966	Avondale 66'7"
Discus (H.S.)	Antonio Lamar 2004	Brookwood 197'4"

CLASS 5A - GIRLS		
<u>EVENT</u>	<u>NAME/YEAR</u>	<u>SCHOOL/RECORD</u>
100 Meter Dash	Cassandra Hall 2016	Warner Robins 11.43
200 Meter Dash.....	Trinity Price 2018	Buford 23.58
400 Meter Dash.....	Kimberly Harris 2019	Buford 53.28
100 Meter Intermediate Hurdles	Kendell Williams 2013	Kell 13.23
300 Meter Low Hurdles	Kendell Williams 2010	Kell 41.30
800 Meter Run	Brittany Hall 2006	Meadowcreek 2:08.58
1600 Meter Run	Amanda Winslow 2009	Collins Hill 4:44.97
3200 Meter Run.....	Hannah Schemmel 2021	St. Pius X 10:25.72
400 Meter Relay.....(Trinity Price, Alexa Rossum, Trinity Rossum, Kimberly Harris).....		Buford 45.17
800 Meter Relay.....(Jessicka Woods, Kaseiana Meriweather, Aijalon Wilson, Kennedy Walker).....		Jackson-Atlanta *1:39.69
1600 Meter Relay.....(Trinity Price, Trinity Rossum, Kimberly Harris, Britiney Johnson).....		Buford 3:44.28
3200 Meter Relay.....(Emma Jacobs, Katherine Hamfeldt, Claire Petersen, Kelly Ann Sutterfield).....		Blessed Trinity 9:23.38
High Jump	Nakeitra Jones 1997	Northeast 5'10.5"
Long Jump	Kendell Williams 2013	Kell 20'9.75"
Triple Jump.....	Bria Matthews 2015	Forest Park 43'5.5"
Pole Vault.....	Payton Phillips 2019	Carrollton 13'2.25"
Shot Put (8 lbs. 13 ozs.).....	Ashley Johnson 2011	Westlake 47'3.5"
Discus (2 lbs. 3-1/2 ozs.).....	Ronda Gullate 2002	Sprayberry 154'8"

NOTE: All State Track Records Converted to Metrics - 1985

* New State Record

STATE TRACK RECORDS

<u>EVENT</u>	<u>CLASS 4A - BOYS</u> <u>NAME/YEAR</u>	<u>SCHOOL/RECORD</u>
100 Meter Dash	Dangelo Cherry	Mt. Zion-Jonesboro
	2008	10.33
200 Meter Dash	Brandon Hill	Mays
	2000	21.15
400 Meter Dash	Michael Newton	Sprayberry
	2012	46.62
110 Meter High Hurdles	Terrance Trammell	Southwest DeKalb
	1996	13.34
300 Meter Intermediate Hurdles	Terrance Trammell	Southwest DeKalb
	1997	36.56
800 Meter Run	Marcelo Dunning	Campbell
	2000	1:51.75
1600 Meter Run	Travis Grindstaff	Etowah
	1988	4:10.86
3200 Meter Run	Willie Nelson, Travis Grindstaff	LaGrange, Etowah
	1975, 1988	9:04.7
400 Meter Relay	(Kendrick Ings, Johnathan Norris, Kenneth Gilstrap, Antione Hightower)	Miller Grove
	2009 (prelims)	40.64
800 Meter Relay.....	(Usir Bey, Domonik Henderson, Johnny Cauley, Tykerris Washington).....	Monroe
	2022	*1:28.87
1600 Meter Relay	(Rodney Hooks, Kelly Carter, Hason Graham, Eddie Miller)	Southwest DeKalb
	1987	3:13.21
3200 Meter Relay.....	(Dustin Waters, Justin Warner, Desmond Waters, Jaden Warner).....	Fayette County
	2022	*8:08.62
High Jump	Dothel Edwards	Cedar Shoals
	1983	7'3.5"
Long Jump	Stephen Hill	Miller Grove
	2009	25'8.75"
Triple Jump	Nate Cooper	Clarke Central
	1975	51'7.5"
Pole Vault.....	Tyler Craig	Pickens
	2013	15'7"
Shot Put (12 lbs.).....	Tanner Duffin.....	St. Pius
	2019	66'10.5"
Discus (H.S.).....	Tanner Duffin.....	St. Pius
	2018	189'3"

<u>EVENT</u>	<u>CLASS 4A - GIRLS</u> <u>NAME/YEAR</u>	<u>SCHOOL/RECORD</u>
100 Meter Dash	Anita Howard	Butler
	1986	11.5
200 Meter Dash	Mary Ann Erigha	Chamblee
	2003	23.64
400 Meter Dash	Stephanie Smith	Northeast, Macon
	2000	53.65
100 Meter Intermediate Hurdles	Kendell Williams	Kell
	2012	13.39
300 Meter Low Hurdles.....	Chastity Pickett.....	Westover
	2019	42.03
800 Meter Run	Ena Leufroy	Marist
	2005	2:08.643
1600 Meter Run	Emily Reese	Chamblee
	2006	4:52.245
3200 Meter Run	Morgan Ilse	Marist
	2015	10:25.39
400 Meter Relay	(Daloria Boone, Brittany Trawick, Zykeria Williams, Jasmine Chester)	Baldwin
	2015	45.91
800 Meter Relay.....	(Eve Craig, Marianna Wright, Jurdyn Johnson, Tristen Chaney).....	Monroe
	2022	*1:42.51
1600 Meter Relay	(Ashley Taylor, Marcia Smith, Henrietta George, Kelsey Woodard)	Stephenson
	1999	3:45.55
3200 Meter Relay.....	(Aggie Law, Stella Chambless, Maeve Waddell, Nicole Barrios).....	Marist
	2022	*9:37.07
High Jump	Nakeitra Jones	Northeast
	1997	5'10.5"
Long Jump	Kendell Williams	Kell
	2012	20'8.5"
Triple Jump	Tyeisha Juhan.....	Mt. Zion-Jones.
	2016	40'4.25"
Pole Vault.....	Olivia Moore.....	Pickens
	2018	13'7"
Shot Put (8 lbs. 13 ozs.).....	Noelle Parker.....	Whitewater
	2015	46'9.5"
Discus (2 lbs. 3-1/2 ozs.)	Eve Machovec	Dacula
	2008	148'9"

NOTE: All State Track Records Converted to Metrics - 1985

* New State Record

STATE TRACK RECORDS

CLASS 3A - BOYS

<u>EVENT</u>	<u>NAME/YEAR</u>	<u>SCHOOL/RECORD</u>
100 Meter Dash.....	Japheth Morris..... 2017	Appling County 10.41
200 Meter Dash.....	Howard Adams..... 1962	Rossville 21.1
400 Meter Dash	Christian Taylor	Sandy Creek 46.60
110 Meter High Hurdles	Dexter Hawkins	West Fulton 13.6
300 Meter Intermediate Hurdles	Tim Grier	Westlake 36.74
800 Meter Run	Brendon Mahoney	Marist 1:50.17
1600 Meter Run.....	Matthew Fernando..... 2022	Westminster *4:11.61
3200 Meter Run.....	Justin Wachtel..... 2021	Mary Persons 9:06.49
400 Meter Relay.....	(Stanley Heller, Jamal Sailem, Keelan Crosby, Japheth Morris)..... 2017	Appling County 41.11
800 Meter Relay.....	(Zavion Green, John Phillips III, Karlston Davis, Jordan Harris)..... 2022	Sandy Creek *1:28.61
1600 Meter Relay	(Tamaric Johnson, Fred Scott, Korey Bryant, Aaron Sibley)	Stone Mountain 3:15.28
3200 Meter Relay.....	(Jack Ramsey, Ryan Githubu, Matthew Propp, Matthew Fernando)..... 2021	Westminster 7:55.84
High Jump	Thaddeus Hood..... 1992	Glenn Hills 7'2"
Long Jump.....	Christian Taylor..... 2008	Sandy Creek 25'6"
Triple Jump.....	Christian Taylor..... 2008	Sandy Creek 52'6.5"
Pole Vault.....	Paul Malquist	Gainesville 16'8"
Shot Put (12 lbs).....	Kurt Quartermann..... 2002	Westover 63'0.75"
Discus (H.S.)	Hiawatha Berry	Winder-Barrow 197'10"

CLASS 3A - GIRLS

<u>EVENT</u>	<u>NAME/YEAR</u>	<u>SCHOOL/RECORD</u>
100 Meter Dash	Brittany Long..... 2007	Therrell 11.429
200 Meter Dash	Brittany Long..... 2007	Therrell 23.306
400 Meter Dash	Stephanie Smith	Northeast 53.084
100 Meter Intermediate Hurdles.....	Jasmine Jones..... 2018	GACS 13.77
300 Meter Low Hurdles.....	Jasmine Jones..... 2018	GACS 41.81
800 Meter Run.....	Gabriella Grissom..... 2021	Sandy Creek 2:10.14
1600 Meter Run	Emily Reese	Chamblee 4:48.514
3200 Meter Run	Emily Reese	Chamblee 10:16.762
400 Meter Relay.....	(Nia Brown, Chloe Fair, Jada Jones, Jasmine Jones)..... 2018	GACS 45.73
800 Meter Relay.....	(Jasmine Holmes, Peri Mitchell, Teandra Clemons, Cadence Cray)..... 2022	Appling County *1:42.82
1600 Meter Relay.....	(Deanna Lee, Santeria Moses, Jawanda King, Brittany Long, Malaysia Puckett, Tiffany Ellis)..... 2007	Therrell 3:47.264
3200 Meter Relay.....	(Janie Cooper, Cate Stevens, Alexandra Lalli, Palmer Walstad)..... 2022	Westminster *9:27.56
High Jump	Tracey Linton	Central, Thomasville 5'10"
Long Jump.....	Jasmine Jones..... 2019	GACS 20'2.25"
Triple Jump.....	Chelsea Davis..... 2022	Sandy Creek *40'10"
Pole Vault.....	Amelia Johnson..... 2022	Hart County *12'5"
Shot Put (8 lbs. 13 ozs.)	April Thomas	Westover 46'7"
Discus (2 lbs. 3-1/2 ozs.).....	Leia Williams..... 2022	Liberty County *151'10"

NOTE: All State Track Records Converted to Metrics - 1985

* New State Record

STATE TRACK RECORDS

CLASS 2A - BOYS		
<u>EVENT</u>	<u>NAME/YEAR</u>	<u>SCHOOL/RECORD</u>
100 Meter Dash	Justin Scott-Wesley 2010	Mitchell County 10.35
200 Meter Dash	Antonio McKay 1982	Roosevelt 21.4
400 Meter Dash	Antonio McKay 1982	Roosevelt 46.98
110 Meter High Hurdles	Roger Kingdom 1981	Vienna 13.7
300 Meter Intermediate Hurdles	Jamal Patterson 2009 (prelims)	Henry County 36.82
800 Meter Run	Ian Scott 1998	Lovett 1:52.77
1600 Meter Run	Ralph King 1974	St. Pius X 4:05.3
3200 Meter Run	Ralph King 1974	St. Pius X 8:52.5
400 Meter Relay.....(Lawrence Austin, Lance Austin, Miquavius Searcy, Ray Lions).....	2014	Lamar County 41.51
800 Meter Relay.....(Brandon Beasley, Jahlyn Madison, Antonio Barron, Tyran Jacobs).....	2022	Vidalia *1:29.25
1600 Meter Relay	(Warren Ward, Melvin Buford, Richard Dukes, Allen Buford) 1979	Lakeshore 3:16.00
3200 Meter Relay.....(Edward Blaha, George Blaha, Robert Mallis, Grant Thompson).....	2022	Pace Academy *8:02.75
High Jump	Maalik Reynolds 2010	Westminster 7'2"
Long Jump	Reggie Brown 1997	Carrollton 24'9"
Triple Jump	Javian Williams 2016	Early County 49'4.5"
Pole Vault	Tyler Porter 2010	Jefferson 16'7.25"
Shot Put (12 lbs.)	Adam Nelson 1993	Lovett 59'7"
Discus (H.S.)	LB Joel 2009	Westminster 177'9"

CLASS 2A - GIRLS		
<u>EVENT</u>	<u>NAME/YEAR</u>	<u>SCHOOL/RECORD</u>
100 Meter Dash	Jenell Ali 1994	Crim 11.73
200 Meter Dash.....	Taylor DeLoach 2016	St. Vincent's 23.88
400 Meter Dash.....	Victoria Powell 2016	Lovett 53.94
100 Meter Intermediate Hurdles.....	Courtney Madison 2017	Vidalia 14.00
300 Meter Low Hurdles.....	Chelsea Zolleer 2016	Holy Innocents' 42.78
800 Meter Run	Georgia Kloss 2002	Pace Academy 2:09.478
1600 Meter Run	Georgia Kloss 2003	Pace Academy 4:58.87
3200 Meter Run.....	Serena Tripodi 2015	Lovett 10:54.15
400 Meter Relay	(Brittany Arnold, Airica Palmer, Maileka Slayton, Kayin Mujahid) 2012	GACS 47.31
800 Meter Relay.....(Kenzie Henderson, Morgan Hall, Jayda Jones, Jacy Watson).....	2022	Oglethorpe County *1:43.48
1600 Meter Relay	(Brittany Arnold, Airica Palmer, Maileka Slayton, Kayin Mujahid) 2012	GACS 3:51.46
3200 Meter Relay.....(Lizzie Wadsworth, Maddie Williams, Katie Wadsworth, Ella Stoudenmire).....	2021	Oglethorpe County 9:34.14
High Jump	Brandy Barnett 1996	Coosa 5'8"
Long Jump.....	Taylor DeLoach 2016	St. Vincent's 20'5.25"
Triple Jump	Antqunita Reed 2010	Early County 40'1"
Pole Vault	Sydney Rodkey 2012	North Oconee 12'1"
Shot Put (8 lbs. 13 ozs.).....	Danisha Jones 2015	Thomasville 44'11"
Discus (2 lbs. 3-1/2 ozs.).....	Danisha Jones 2015	Thomasville 137'2"

NOTE: All State Track Records Converted to Metrics - 1985

* New State Record

STATE TRACK RECORDS

CLASS A - BOYS		
<u>EVENT</u>	<u>NAME/YEAR</u>	<u>SCHOOL/RECORD</u>
100 Meter Dash.....	Christian Coleman..... 2014	Our Lady of Mercy 10.38
200 Meter Dash.....	Christian Coleman..... 2014	Our Lady of Mercy 21.10
400 Meter Dash	Ecardo Odom	Dooly County 47.67
110 Meter High Hurdles	Kenny Selmon..... 2014	Pace Academy 13.96
300 Meter Intermediate Hurdles	Kenny Selmon..... 2014	Pace Academy 37.21
800 Meter Run	O'Neal Wanliss	Holy Innocents' 1:49.618
1600 Meter Run	Henry Dwyer	Athens Academy 4:10.84
3200 Meter Run.....	Graham Blanks..... 2019	Athens Academy 9:13.93
400 Meter Relay.....	(Nate McCollum, Justin Menard, Khaleb Hood, Keaton Mitchell)..... 2018	ELCA 41.43
800 Meter Relay.....	(Trevor Strowbridge, Buddy Gary, Donovan Johnson, Garrhet Manning)..... 2022	Calvary Day *1:27.94
1600 Meter Relay.....	(Richard Jubinor, Josiah Brooks, Justin Brooks, Demarcus Evans)..... 2015	Athens Christian 3:20.08
3200 Meter Relay.....	(Ryan Kelley, Parker Miles, Joe Saphone, Brandon Sertl)..... 2021	Holy Innocents' 8:05.68
High Jump	Raymond Higgs	Athens Christian 7'2.25"
Long Jump	Raymond Higgs	Athens Christian 24'4"
Triple Jump.....	Joshua Smith..... 2021	Landmark Christian 48'9.5"
Pole Vault.....	Brenden Vanderpool..... 2022	Whitefield Academy *15'2"
Shot Put (12 lbs).....	LenNeth Whitehead..... 2018	Athens Academy 66'4.5"
Discus (H. S.)	Jordan Pickerel..... 2013	Athens Christian 168'1"

CLASS A - GIRLS		
<u>EVENT</u>	<u>NAME/YEAR</u>	<u>SCHOOL/RECORD</u>
100 Meter Dash.....	T'Aja Cameron..... 2016	ELCA 11.74
200 Meter Dash.....	T'Aja Cameron..... 2016	ELCA 24.32
400 Meter Dash.....	Malia Campbell..... 2022	Landmark Christian *55.49
100 Meter Intermediate Hurdles	Sierra Hill	Landmark Christian 13.34
300 Meter Low Hurdles	Sierra Hill	Landmark Christian 43.06
800 Meter Run.....	Anna Marian Block..... 2016	Athens Academy 2:10.82
1600 Meter Run.....	Anna Marian Block..... 2016	Athens Academy 4:51.28
3200 Meter Run.....	Emma Grace Hurley..... 2016	Fellowship Christian 10:33.23
400 Meter Relay	(Evette Holyfield, Ciara Willis, Lynette Fitts, Sierra Hill)	Landmark Christian 47.54
800 Meter Run.....	(Hope Clerk, MiAngel Allrich, Cristiana Chachere, Malia Campbell)..... 2022	Landmark Christian *1:42.19
1600 Meter Relay	(Lynette Fitts, Evette Holyfield, Ciara Willis, Sierra Hill)	Landmark Christian 3:50.20
3200 Meter Relay.....	(Addison Ollendick-Smith, Sarah Harrison, Nathalie Lavender, Davis McLanahan)..... 2021	Athens Academy 9:36.81
High Jump	Jessica Farrer	Model 5'10.25"
Long Jump.....	Synclair Savage..... 1991	North Cobb Christian 19'3.50"
Triple Jump.....	Jasmine Akins..... 2019	Calvary Day 39'10.50"
Pole Vault.....	Becky Arbiv..... 2017	The Weber School 13'6.5"
Shot Put (8 lbs. 13 ozs.).....	Torie Owers	Athens Academy 46'8.5"
Discus (2 lbs. 3-1/2 ozs.)	Torie Owers	Athens Academy 154'8"

NOTE: All State Track Records Converted to Metrics - 1985

* New State Record